

AVANT[®] **755i**

AVANT[®] **760i**

Varaosakirja

Parts Manual

Dellista

Ersatzteilliste



Serial numbers: XXXXX2212 ->
GT cabin & DKOS hoses

2/2024

Table Of Contents

A451550	AVANT 755I TIER 4 FINAL 11/2022 =>	6
A452147	FRONT FRAME ASSEMBLY 700 SERIES 11/2022	8
A34964	TELESCOPIC BOOM HD COMPLETE, 700 SERIES	10
A34965	OUTER BOOM HD, ASSEMBLY, 700 SERIES	12
A34966	INNER BOOM HD, ASSEMBLY, 700 SERIES	14
A436601	ATTACHMENT COUPLING PLATE CAST STEEL 700	16
A436614	LOCKING PIN ASSEMBLY ATTACHM COUPL PLATE	18
A436687	LINKAGE PIECE "BOOMERANG" CAST STEEL	20
65252	MULTI CONNECTOR, ON LOADER	22
A450588	CONTROL VALVE ASSEMBLY HDS16	24
A429030	CONTROL VALVE HDS16	26
A452569	CONTROL LEVERS ASSEMBLY CONTROL VALVE	28
A436748	CONTROL LEVER AUX. HYDR. FRONT ASSEMBLY	30
A452574	STEERING COLUMN ASSEMBLY	32
A452815	HYDRAULIC HOSES ORBITROL 600-700 SERIES	34
A440870	DRIVE PEDAL ASSEMBLY 700 SERIES	36
A422190	HYDR. HOSES DRIVE PEDAL 700 SERIES	38
A446008	HYDRAULIC OIL COOLER ASSEMBLY 500-700	40
A449648	HYDRAULIC MANIFOLD ASSEMBLY	42
A440450	REAR FRAME ASSEMBLY 755I/760I TIER 4	44
A441337	REAR CHASSIS ASSEMBLY 700 SERIES	46
A37449	ARTICULATION JOINT ASSEMBL REAR FRAME	48
A415984	LOAD SENSOR SYSTEM, COMPLETE ASSEMBLY	50
A36913	REAR WEIGHT (BUMPER) 168 KG, ASSEMBLY	52
A440451	ENGINE 1903TCR TIER 4 FINAL	54
A443586	ACCESSORIES ENGINE KOHLER KDI TIER 4	56
A451363	RADIATOR ASSEMBLY KOHLER KDI 700-800	58
A440787	EXHAUST PIPE ASSEMBLY KOHLER KDI TIER 4	60
A436177	EXHAUST PIPE ASSEMBL KOHLER KDI STAGE V	62
A441869	MOUNTING BRACKETS ENGINE KOHLER KDI	64
A429274	HYDRAULIC PUMPS ASSEMBLY 755/760 OPTIDRI	66
66355	VARIABLE DISPL. PUMP 755I/760I HP P4 046	68
A37242	HYDRAULIC MANIFOLD ASSEMBLY 400-800 SER	70
A437466	ENGINE BAY KOHLER KDI STG5 T4F 700-800	72
A436129	FUEL TANK ASSEMBLY 66L	74
A452130	ROPS CAB ASSEMBLY 500-700 SERIES	76
A452129	ROPS CAB 500-700 SERIES	78
A49119	ROPS FRAME WITH FOPS CANOPY, 600/700 SER	80
A439987	INSTRUMENT PANEL WITH DECAL 700 / 800	82
A435860	DASHBOARD ASSEMBLY 700-800 ROPS	84
A451115	COVER PLATES KIT, ABS 700 SERIES ROPS	86
A446265	COVER PLATES FRONT FRAME ABS 500-700	*ABS, ROPS 88
A447754	COVER PLATES FRONT FRAME POLYCARBONATE	*PC/HD, optional extra 90
A446009	COVER PLATES ABS FRONT FRAME CAB GT	*ABS, GT 92
A447757	COVER PLATES HD POLYCARBONATE FRONT	*PC/HD (optional extra) 94

21.2.2024

A450770	WORK LIGHTS LED ON FRONT COVERS ASSEMBLY		96
A442266	COVER PLATES ABS, KIT, REAR FRAME	*ABS	98
A445553	COVER PLATES REAR FRAME HD POLYCARBONATE	*PC/HD, optional extra	100
A437518	MUDGUARDS REAR 700/800 STAGE 5	*Mud guards	102
A453581	ELECTRIC COMPONENTS 760I		104
A436657	POWER DISTRIBUTION UNIT 755I/760I/860I		106
A453565	VECU & FUSE BOXES ON MOUNTING BRACKET		108
A452920	HYDR. HOSES DRIVE, WITH ANTI SLIP 700		110
A454023	HYDRAULIC MANIFOLD 1-SPEED DRIVE RELEASE		112
A445009	HYDRAULIC MOTOR ASSEMBLY 398 CCM POCLAIN		114
65670	HYDRAULIC MOTOR MSE02 398CCM		116
65671	HYDRAULIC MOTOR B MSE02 398CCM W. BRAKE		118
A451551	AVANT 760I TIER 4 FINAL 11/2022 =>		120
A451386	HYDR. HOSES DRIVE, WITH ANTI SLIP	*A451386 Avant 760	122
A454024	HYDRAULIC MANIFOLD ANTI SLIP VALVE		124
A454022	HYDRAULIC MANIFOLD 2-SPEED		126
A448175	HYDRAULIC MOTOR ASSEMBLY 560/280 CCM		128
A445631	BOOM SELF LEVELLING 700 SERIES		130
A449741	DIRECTIONAL VALVE ASSEMBLY BOOM FLOAT &		132
A445633	SMOOTH DRIVE - BOOM SUSPENSION 600-700		134
A449669	SOLENOID VALVE 2/2		136
A450470	HYDRAULIC ATTACHMENT COUPLING PLATE 700		138
A449703	VALVE ASSEMBLY HYDR. ATTACHMENT COUPLING		140
A454145	ATTACHMENT CONTROL SWITCH PACK		142
A455810	ANTI SLIP VALVE 700 & 800 SERIES		144
A435400	JOYSTICK 8 FUNCTION WITH ANTI SLIP		146
A438667	WORK LIGHT KIT, 3 LED LIGHTS 700 LUMEN		148
A450468	EXTRA AUX. HYDRAULICS OUTLET FRONT,		150
A449937	CAB L		152
A443979	WINDSCREEN WIPER ASSEMBLY CAB L 523-760I		154
A446010	TANK ASSEMBLY WINDSCREEN WASHER		156
A444539	CAB GT, 700 SERIES		158
A453487	BASIC PARTS CAB GT		160
A448117	FRAME CAB GT		162
A438895	LATCH ASSEMBLY		164
A453483	DOOR AND WINDOWS ASSEMBLY CAB GT		166
A445896	WINDSCREEN ASSEMBLY CAB GT		168
A449928	WINDSCREEN WIPER ASSEMBLY CAB GT		170
A436771	REAR WINDOWS CAB GT		172
A434952	WINDOW RIGHT ASSEMBLY CAB GT		174
A436900	SUNROOF ASSEMBLY CAB GT		176
A434950	DOOR ASSEMBLY CAB GT		178
A453489	UPHOLSTERY ASSEMBLY CAB GT		180
A434208	FLOOR MAT ASSEMBLY CAB GT		182
A436615	HEAT SHIELD ASSEMBLY CAB GT		184

--->

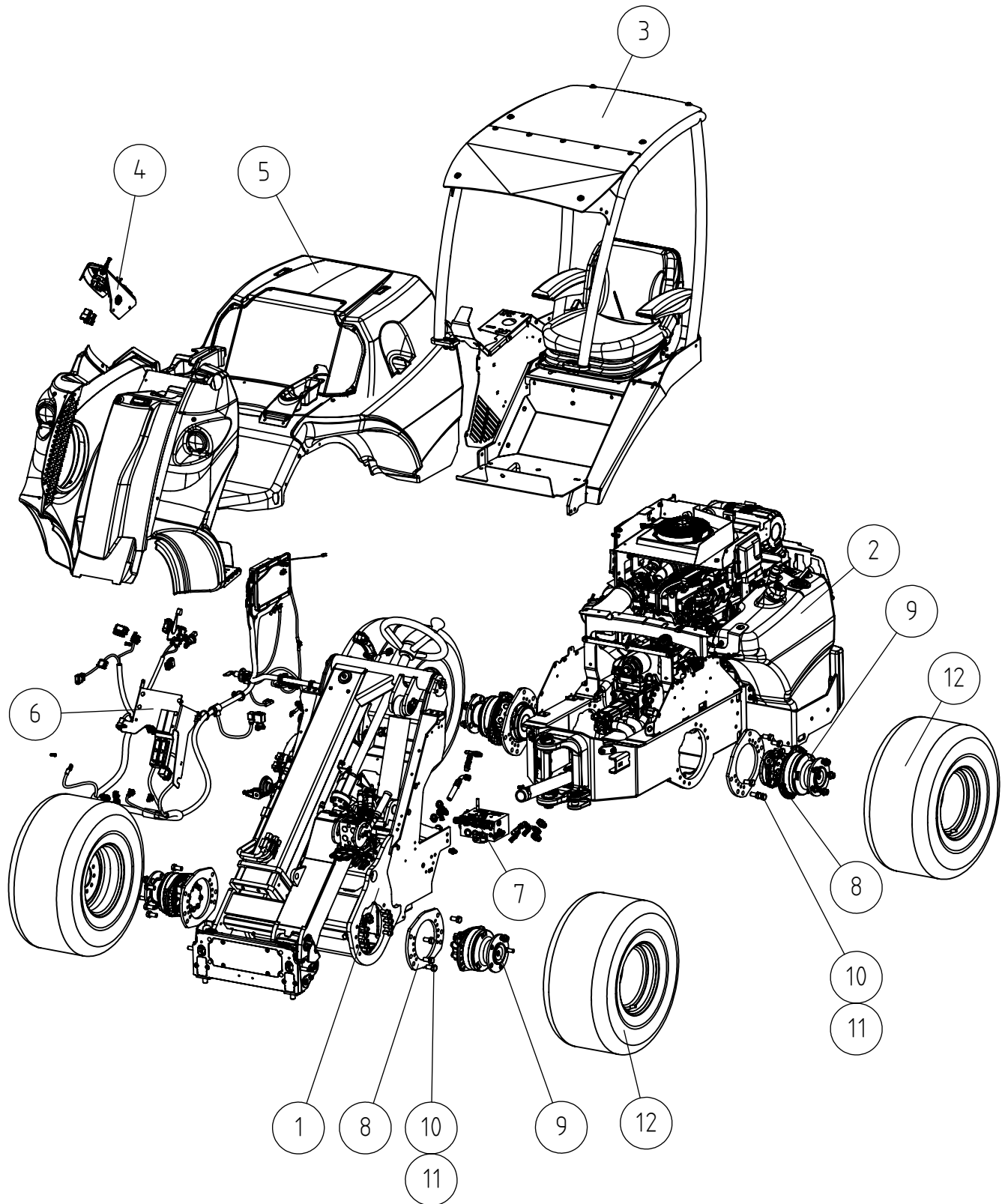
21.2.2024

A436754	UPHOLSTERY PANELS B-PILLARS CAB GT	186
A436635	AIR DUCTS ASSEMBLY CAB GT	188
A434410	SERVICE HATCH ASSEMBLY CAB GT	190
A438892	UPHOLSTERY ASSEMBLY CEILING CAB GT	192
A438887	SUN VISOR ASSEMBLY CAB GT	194
A438452	NET POCKET ASSEMBLY CAB GT	196
A438443	NET POCKET REAR ASSEMBLY CAB GT	198
A448127	CONTROLS ASSEMBLY CAB GT	200
A465450	CONTROLS ASSEMBLY CAB GT	202
A436574	DASHBOARD CAB GT / DLX	204
A449724	SEAT FULL SUSPENSION FABRIC HEATER MSG65	206
A438246	HEATER ASSEMBLY CAB GT	208
A442729	SUBFRAME ASSEMBLY CAB GT 500-700 SERIES	210
A438587	RADIO WITH ACCESSORIES CAB GT	212
A450869	AIR CONDITIONING ASSEMBLY CAB GT	214
A434047	HEATER MODULE CAB GT	216
A449155	CONDENSER WITH RECEIVER DRIER A/C CAB GT	218
A438528	WORK LIGHT KIT LED 700LM CAB GT	220
A450924	ROAD TRAFFIC KIT ON CAB GT 700 SERIES	222
A438530	BEACON 800 SERIES	224
A438538	FOUR-LIGHT BEACON CAB GT	226

21.2.2024

21.2.2024

A451550 AVANT 755I TIER 4 FINAL 11/2022 =>



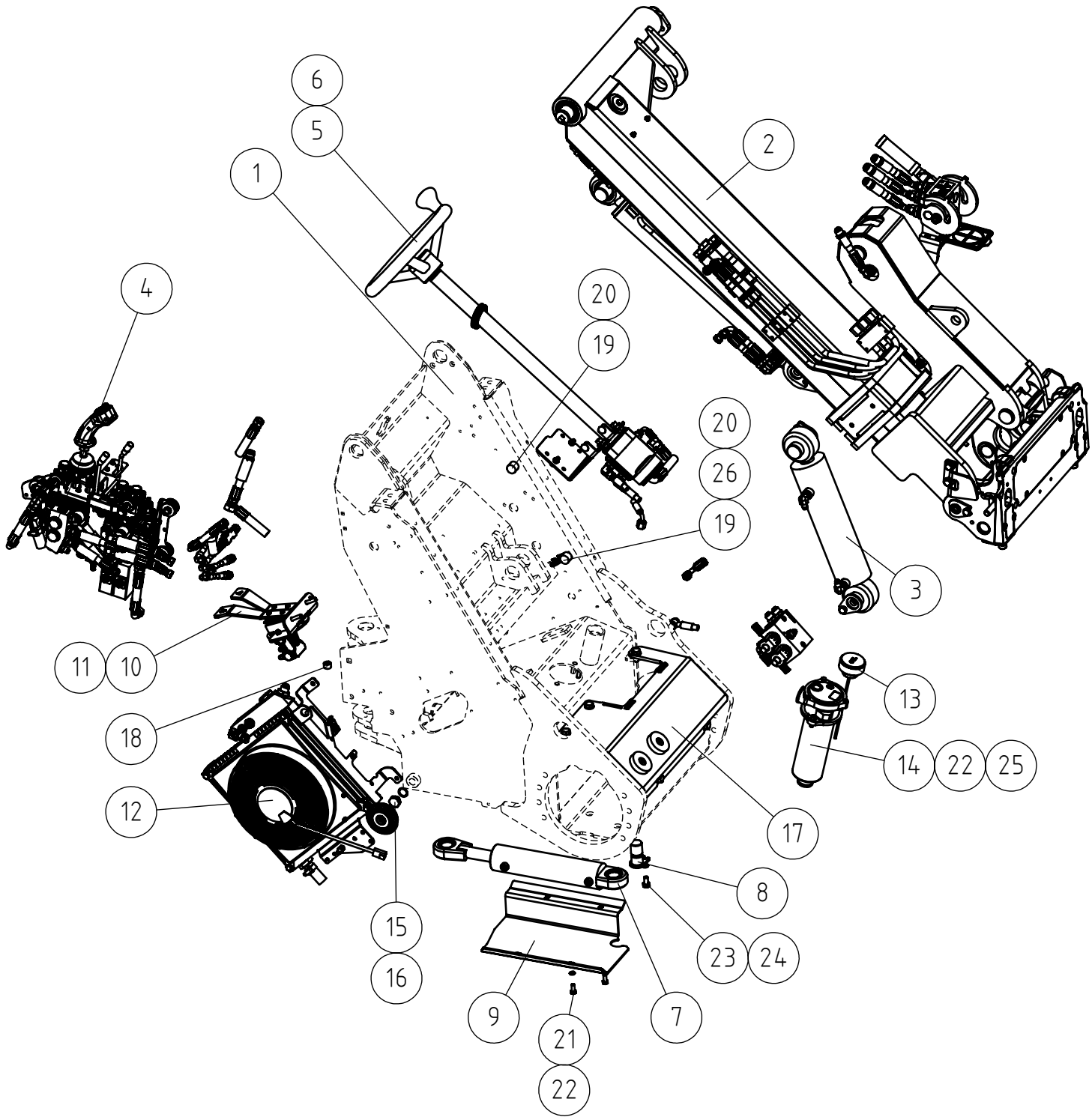
21.2.2024

A451550 AVANT 755I TIER 4 FINAL 11/2022 =>

REF	PART NO	QTY	DESCRIPTION	NOTES	PAGE
1	A452147	1	FRONT FRAME ASSEMBLY 700 SERIES 11/2022		8
2	A440450	1	REAR FRAME ASSEMBLY 755I/760I TIER 4		44
3	A452130	1	ROPS CAB ASSEMBLY 500-700 SERIES		76
4	A435860	1	DASHBOARD ASSEMBLY 700-800 ROPS		84
5	A451115	1	COVER PLATES KIT, ABS 700 SERIES ROPS		86
6	A453581	1	ELECTRIC COMPONENTS 760I		104
7	A452920	1	HYDR. HOSES DRIVE, WITH ANTI SLIP 700		110
8	A417375	4	MOUNTING PLATE HYDR. MOTOR 745 POCLAIN		-
9	A445009	1	HYDRAULIC MOTOR ASSEMBLY 398 CCM POCLAIN		114
10	74799	24	HEXAGONAL SCREW M16*35 DIN 933		-
11	74533	24	WASHER, PAIR, M16 NL16 NORDLOCK		-
12	65224	4	WHEEL (TYRE+RIM) 10 HOLE 320/60-12 TR HD		-

21.2.2024

A452147 FRONT FRAME ASSEMBLY 700 SERIES 11/2022



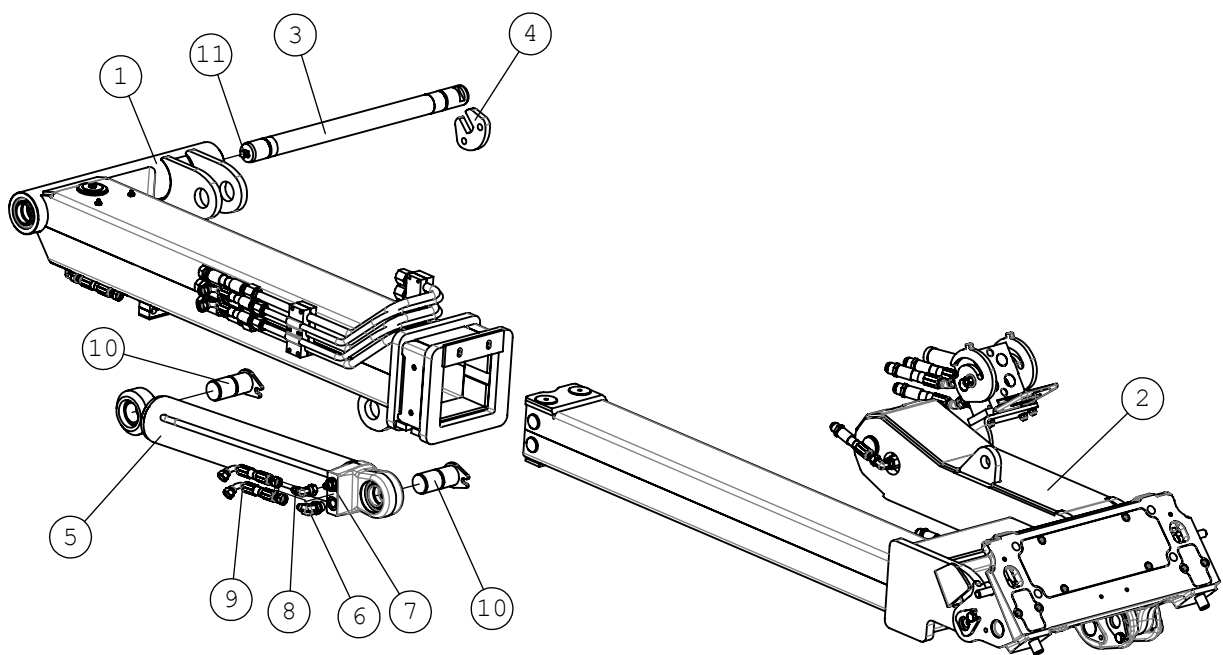
21.2.2024

A452147 FRONT FRAME ASSEMBLY 700 SERIES 11/2022

REF	PART NO	QTY	DESCRIPTION	NOTES	PAGE
1	A448124	1	FRONT FRAME 700 SERIES 11/2022		-
2	A34964	1	TELESCOPIC BOOM HD COMPLETE, 700 SERIES		10
2.1	A430736	1	SLIDE PAD KIT TELESCOPIC BOOM A34964 700		-
3	A445631	1	BOOM SELF LEVELLING 700 SERIES		130
4	A450588	1	CONTROL VALVE ASSEMBLY HDS16		24
5	A452574	1	STEERING COLUMN ASSEMBLY		32
6	A452815	1	HYDRAULIC HOSES ORBITROL 600-700 SERIES		34
7	A49825	1	HYDR. CYLINDER STEERING 50/30-172		-
7.1	65567	1	SEAL KIT, CYLINDER F60/F30		-
8	A47655	1	PIVOT PIN F30-60		-
9	A410452	1	BOTTOM PLATE		-
10	A440870	1	DRIVE PEDAL ASSEMBLY 700 SERIES		36
11	A422190	1	HYDR. HOSES DRIVE PEDAL 700 SERIES		38
12	A446008	1	HYDRAULIC OIL COOLER ASSEMBLY 500-700		40
13	A48010	1	DIPSTICK L=230 HYDR. OIL R1 1/4"		-
14	65205	1	HYDR. OIL FILTER RETURN, COMPLETE		-
14.1	65227	1	HYDR. OIL FILTER CARTRIDGE, RETURN		-
14.2	A427821	1	SEAL KIT HYDRAULIC RETURN OIL FILTER		-
14.3	A430808	1	FILTER BOWL LONG, HYDR. RETURN OIL		-
15	64352	1	HEXAGONAL DRAIN PLUG, MAGNETIC R 1/2		-
16	75117	1	SEAL RING F26/F21*1,5		-
17	A446013	1	COVER WITH STOPPERS		-
18	A413262	2	BUSHING F19/F10, FLOOR RAISING, 700		-
19	65238	2	RUBBER MOUNT, CYLINDRICAL		-
20	74781	2	HEXAGONAL NUT M6 WITH FLANGE		-
21	72130	4	HEXAGONAL SCREW M8*20		-
22	75100	6	SPACER NORDLOCK M8 NL8, PAIR		-
23	73040	1	HEXAGONAL SCREW M10*20 DIN 933 ZN		-
24	74531	1	SPACER NORDLOCK M10, PAIR		-
25	71884	2	HEXAGONAL HEAD SCREW M 8*25 DIN 912 2		-
26	A442639	1	CABLE TIE 7,6*390 M6 BLACK		-

21.2.2024

A34964 TELESCOPIC BOOM HD COMPLETE, 700 SERIES



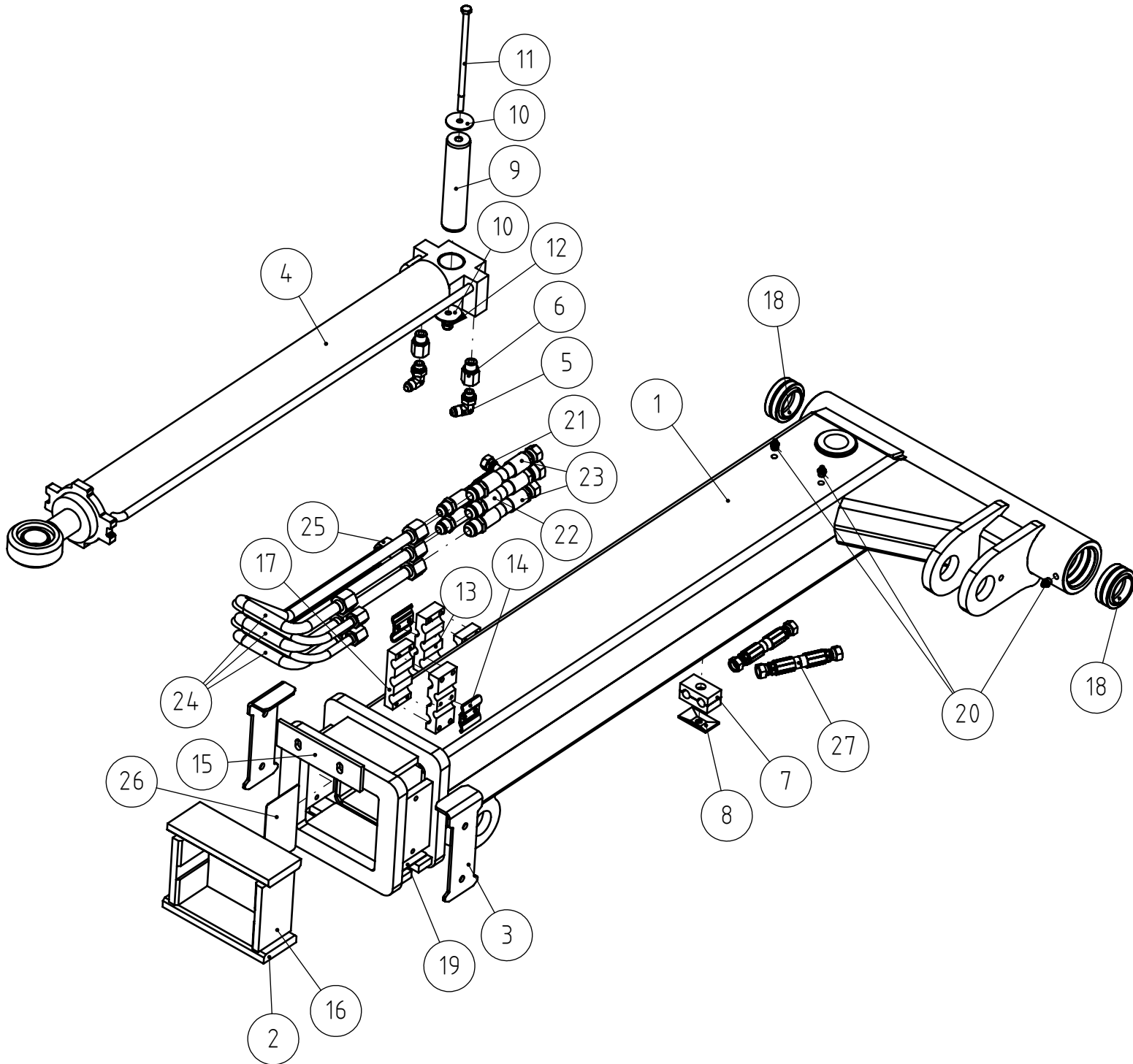
21.2.2024

A34964 TELESCOPIC BOOM HD COMPLETE, 700 SERIES

REF	PART NO	QTY	DESCRIPTION	NOTES	PAGE
1	A34965	1	OUTER BOOM HD, ASSEMBLY, 700 SERIES		12
2	A34966	1	INNER BOOM HD, ASSEMBLY, 700 SERIES		14
3	A49725	1	PIVOT PIN F40-564		-
4	A49723	1	LOCKING PLATE		-
5	A420808	1	HYDRAULIC CYLINDER F80/F40-450		-
5.1	65002	1	SEAL KIT, 80/40CYLINDER		-
5.2	64911	2	ARTICUL. BEARING GE40ES F62/40-28(22)		-
6	64044	1	ELBOW FITTING 90° C40XS10-3/8 /8		-
7	64041	1	BASIC FITTING F40XS10-3/8 /8		-
8	64043	1	ELBOW FITTING 90° C6XS10		-
9	A47635	2	HYDR. HOSE L=1720 2LW-06		-
10	A47041	2	PIVON PIN F40-90		-
11	74082	1	GREASE NIPPLE R1/8" 90 DEGREE		-
-	A430736	1	SLIDE PAD KIT TELESCOPIC BOOM A34964 700		-

21.2.2024

A34965 OUTER BOOM HD, ASSEMBLY, 700 SERIES



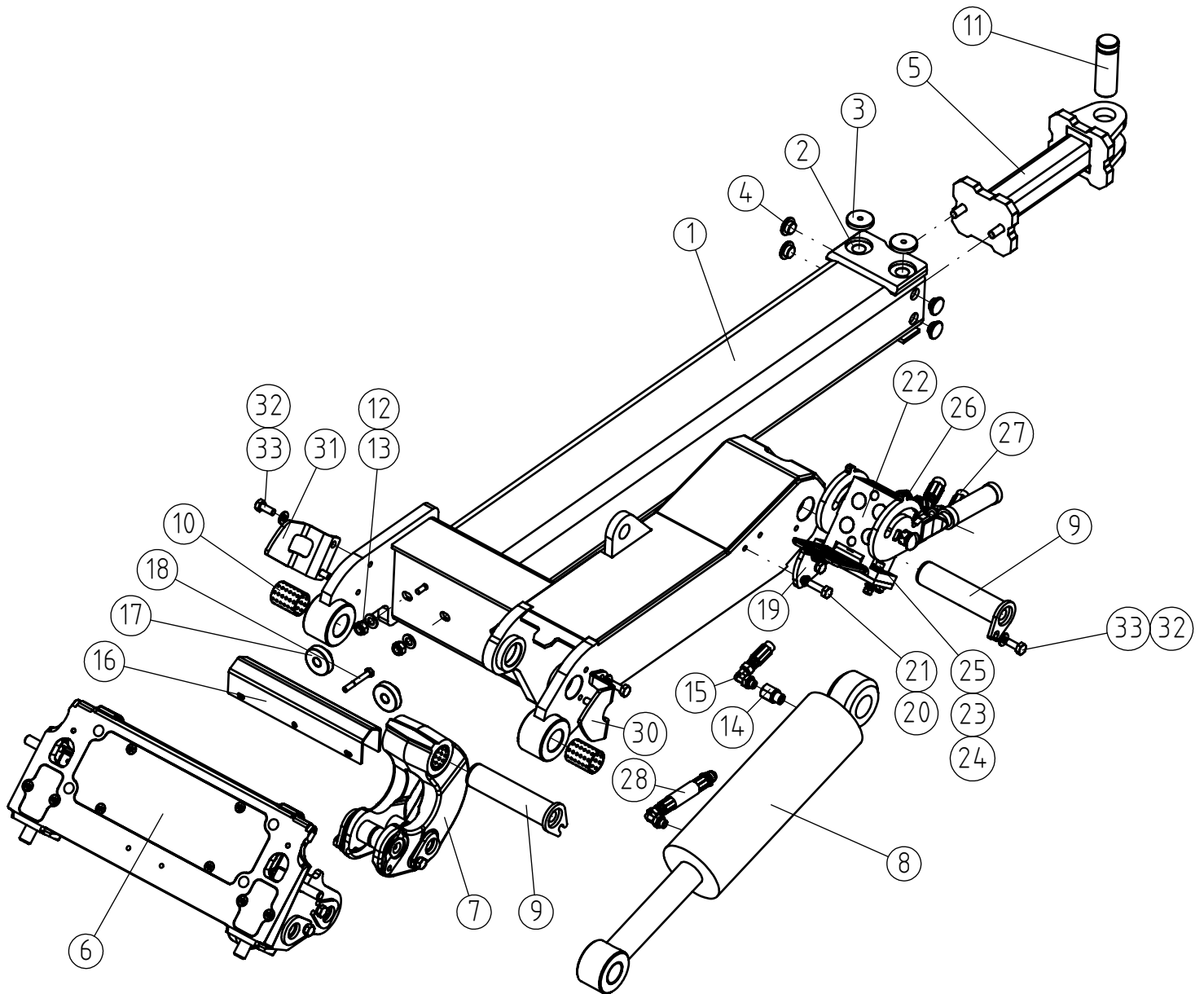
21.2.2024

A34965 OUTER BOOM HD, ASSEMBLY, 700 SERIES

REF	PART NO	QTY	DESCRIPTION	NOTES	PAGE
1	A455132	1	OUTER BOOM HD 700 SERIES		-
2	A48339	2	SLIDE PAD 15*72*194		-
3	A412833	2	COVER PLATE		-
4	A412829	1	HYDR. CYLINDER F63/F36 TELESCOPE 700SE		-
4.1	A418403	1	SEAL KIT, 63/36 CYLINDER TELEBOOM 700 SE		-
4.2	A450703	1	ARTICULATION BEARING GE35ES 55/35-25(20)		-
4.3	A442987	1	SLIDE BEARING F39/F35-30		-
5	64087	2	ELBOW FITTING 90 DEGR. /4#		-
6	64324	2	REDUCER FITTING RI 3/8"-EDX 1/4"		-
7	64886	1	PIPE CLAMP 214/14		-
8	73767	1	COVER PLATE GD2-D, PIPE CLAMP		-
9	A412867	1	PIVOT PIN F35 L=157		-
10	A48492	2	WASHER M8X40		-
11	74757	1	HEXAGONAL SCREW M8*180 DIN 931		-
12	72320	1	HEXAGONAL NUT M8 NYLOC DIN 985		-
13	A47562	1	BRACKET, HYDR.PIPE F16/F12		-
14	A47563	2	BRACKET, HYDR.PIPE F12		-
15	A48367	1	SCRAPER		-
16	A412868	2	SLIDE PAD 15X72X118		-
17	A47561	1	BRACKET, HYDR. PIPE F16		-
18	64911	2	ARTICUL. BEARING GE40ES F62/40-28(22)		-
19	A48014	1	ADJUSTMENT PLATE 1 MM, LONG		-
20	72798	3	GREASE NIPPLE R 1/8" STRAIGHT		-
21	A47638	2	HYDR. HOSE L=1610 2LW-06		-
22	A47681	1	HYDR. HOSE L=1020 1LW-08		-
23	A47639	2	HYDR. HOSE L=1100 2LW-08		-
24	A413413	3	HYDRAULIC TUBE F16		-
25	A413414	2	HYDRAULIC TUBE F12		-
26	A412971	1	ADJUSTMENT PLATE 117X72 1MM		-
27	A414606	2	HYDR. HOSE L=1400		-

21.2.2024

A34966 INNER BOOM HD, ASSEMBLY, 700 SERIES



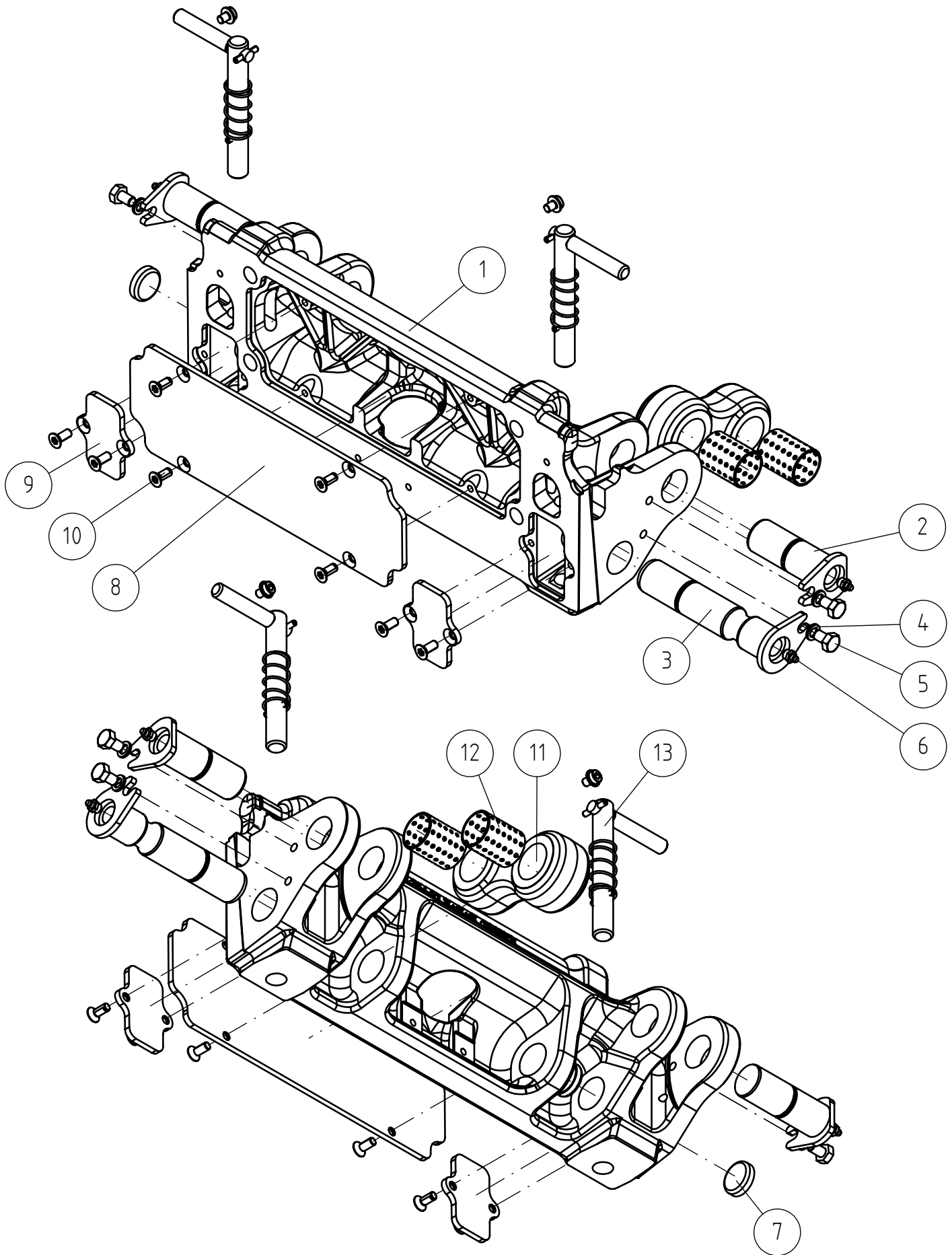
21.2.2024

A34966 INNER BOOM HD, ASSEMBLY, 700 SERIES

REF	PART NO	QTY	DESCRIPTION	NOTES	PAGE
1	A457006	1	INNER BOOM 700 SERIES		-
2	A47941	2	SLIDE PLATE		-
3	A47922	2	ROLLER, BOOM		-
4	A48343	4	ROLLER, BOOM		-
5	A34979	1	CONNECTING ROD		-
6	A436601	1	ATTACHMENT COUPLING PLATE CAST STEEL 700		16
7	A436687	1	LINKAGE PIECE "BOOMERANG" CAST STEEL		20
8	A412830	1	HYDR. CYLINDER F100/F40 TILT CYLINDE		-
8.1	A418435	1	SEAL KIT, 100/45 CYLINDER, TILT 700 SERI		-
8.2	64911	1	ARTICUL. BEARING GE40ES F62/40-28(22)		-
9	A412810	2	PIVOT PIN F40-167		-
10	64913	2	SLIDE BEARING BRM-80 F39/F35-50		-
11	A412870	1	PIVOT PIN F35 L=104		-
12	71691	2	WASHER M12 A13 DIN 125		-
13	72324	2	HEXAGONAL NUT M 12 NYLOC DIN 985		-
14	64324	1	REDUCER FITTING RI 3/8"-EDX 1/4"		-
15	64087	2	ELBOW FITTING 90 DEGR. /4#		-
16	A413816	1	SERVICE SUPPORT, LIFT CYLINDER		-
17	64188	2	FINGER SCREW R5026M8S		-
18	72139	1	HEXAGONAL SCREW M 8*60 DIN 931		-
19	A410804	1	MOUNTING BRACKET, MULTI CONNECTOR LOADER		-
20	74531	2	SPACER NORDLOCK M10, PAIR		-
21	74505	2	HEXAGONAL SCREW M10*35 DIN 933 ZN		-
22	65252	1	MULTI CONNECTOR, ON LOADER		22
23	73122	4	WASHER M8 A8,4 DIN 125 ZN		-
24	72320	4	HEXAGONAL NUT M8 NYLOC DIN 985		-
25	71884	4	HEXAGONAL HEAD SCREW M 8*25 DIN 912 2		-
26	64058	3	BASIC FITTING F40XS12-1/2		-
27	A414911	3	HYDR. HOSE L=1150 2LW-08		-
28	A414913	1	HYDR. HOSE L=1550 2LW-06		-
29	A414912	1	HYDR. HOSE L=1250 2LW-06		-
30	A430655	1	RELEASE PLATE		-
31	A432890	1	RELEASE PLATE RIGHT		-
32	75102	5	SPACER NORDLOCK M10 NL10SP, PAIR		-
33	72150	5	HEXAGONAL SCREW M10*25 DIN 933 ZN		-

21.2.2024

A436601 ATTACHMENT COUPLING PLATE CAST STEEL 700



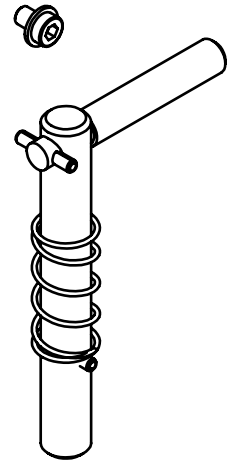
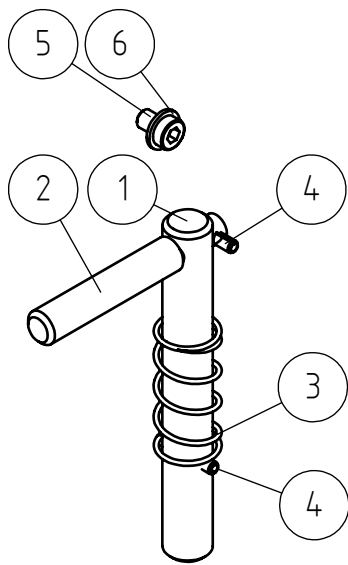
21.2.2024

A436601 ATTACHMENT COUPLING PLATE CAST STEEL 700

REF	PART NO	QTY	DESCRIPTION	NOTES	PAGE
1	A435467	1	ATTACHMENT COUPLING PLATE ADI CAST STEEL		-
2	A412814	2	PIVOT PIN F35-98		-
3	A427469	1	PIVOT PIN 35-175		-
4	74531	3	SPACER NORDLOCK M10, PAIR		-
5	72147	3	HEXAGONAL SCREW M 10*16 DIN 933		-
6	72798	3	GREASE NIPPLE R 1/8" STRAIGHT		-
7	A436582	2	SEALING PUSH-IN CAP 35MM DIN 443		-
8	A427458	1	COVERING PLATE 378X127 ATTACHM COUPL PLA		-
9	A427464	2	COVERING PLATE 87X47 ATTACHM COUPL PLATE		-
10	A441215	8	THREAD-FORMING SCREW M8*20 ISO 14581		-
11	A430007	1	LINKAGE PIECE 700/800 SERIES		-
12	64913	2	SLIDE BEARING BRM-80 F39/F35-50		-
13	A436614	1	LOCKING PIN ASSEMBLY ATTACHM COUPL PLATE		18

21.2.2024

A436614 LOCKING PIN ASSEMBLY ATTACHM COUPL PLATE



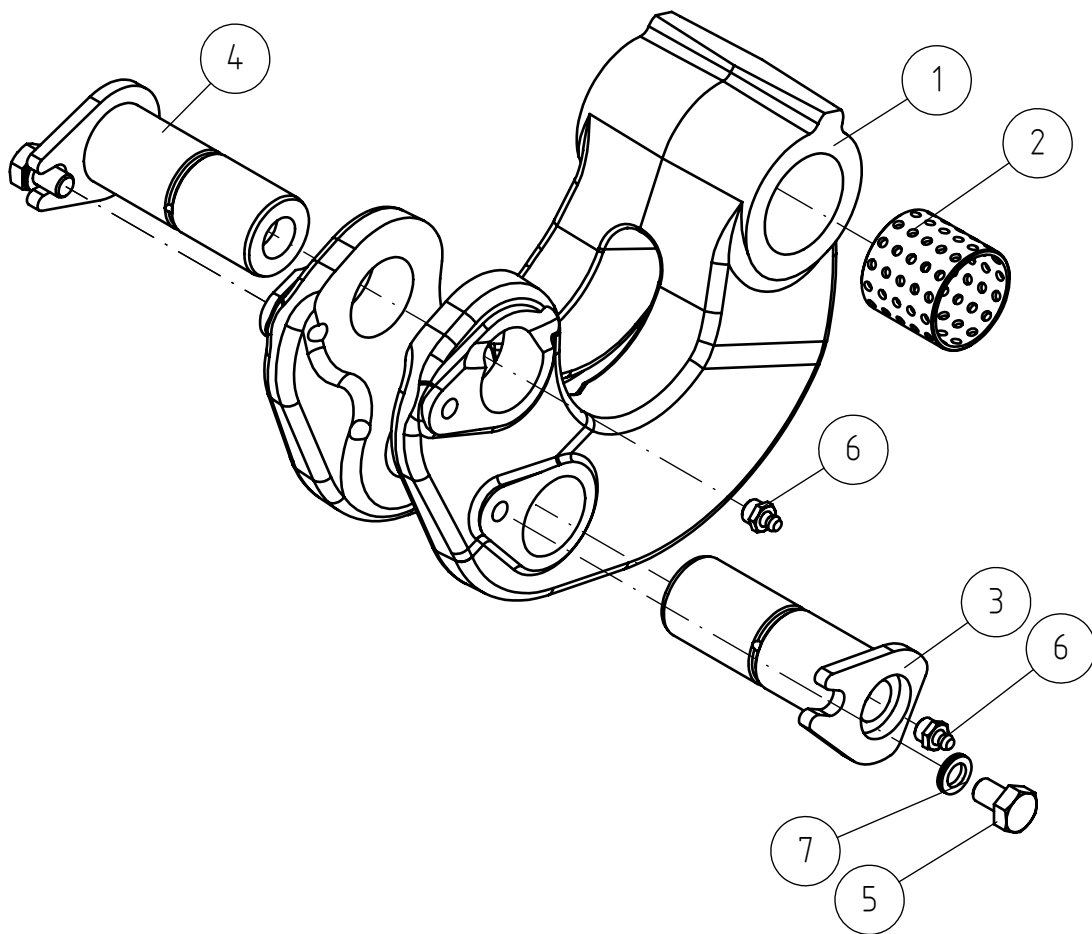
21.2.2024

A436614 LOCKING PIN ASSEMBLY ATTACHM COUPL PLATE

REF	PART NO	QTY	DESCRIPTION	NOTES	PAGE
1	A47687	2	LOCKING PIN F20		-
2	A47688	2	LATCH PIN		-
3	64138	2	COMPRESSION SPRIG DIN 2098 2*25*135		-
4	73661	4	SPRING PIN 5*30 DIN 1481		-
5	74932	2	HEXAGONAL HEAD SCREW M8*12		-
6	73122	2	WASHER M8 A8,4 DIN 125 ZN		-

21.2.2024

A436687 LINKAGE PIECE "BOOMERANG" CAST STEEL



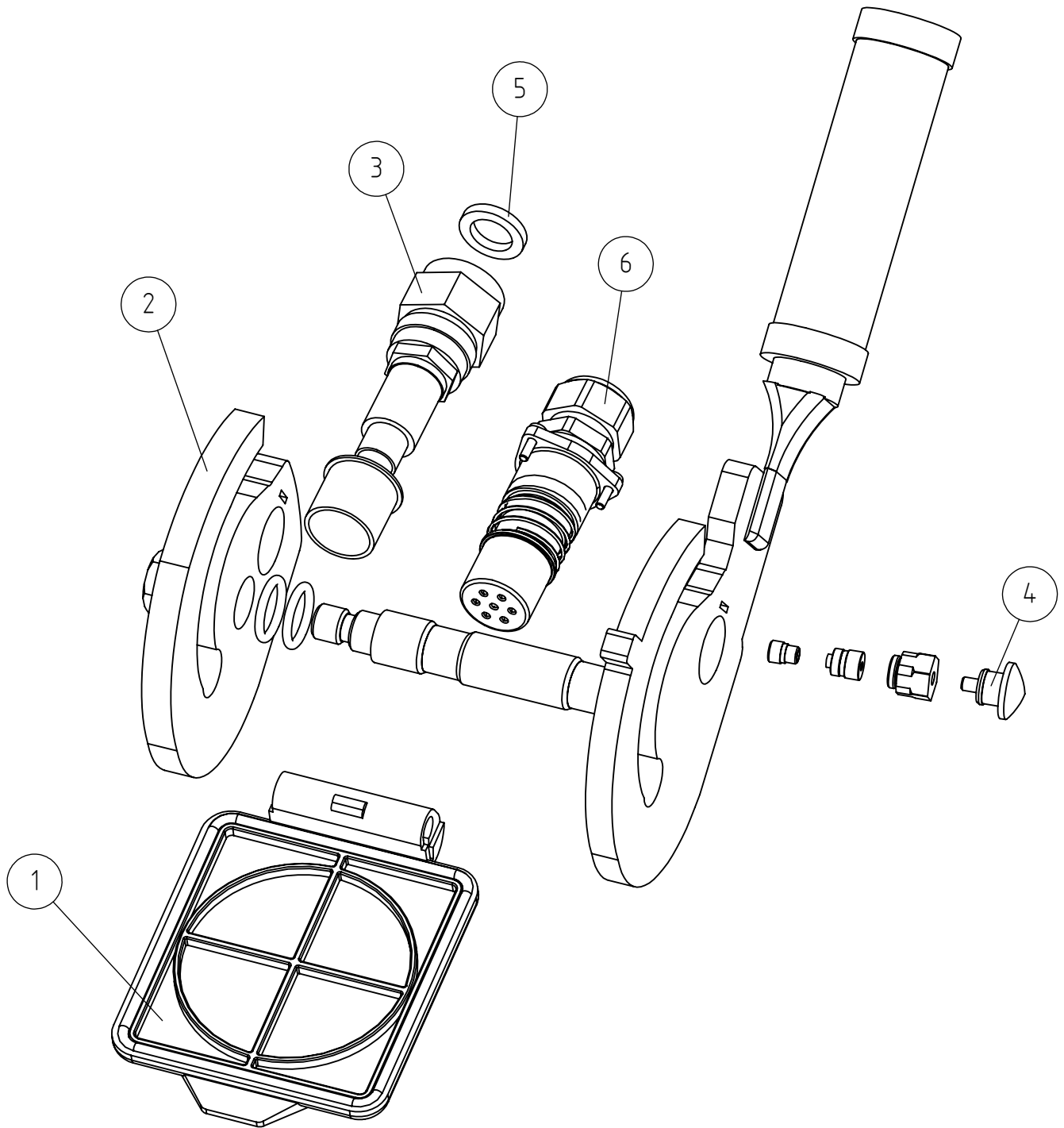
21.2.2024

A436687 LINKAGE PIECE "BOOMERANG" CAST STEEL

REF	PART NO	QTY	DESCRIPTION	NOTES	PAGE
1	A435456	1	LINKAGE PIECE "BOOMERANG" CAST STEEL ADI		-
2	64912	2	SLIDE BEARING BRM-80 TF44/F40-40		-
3	A430579	1	PIVOT PIN 35-103		-
4	A430582	1	PIVOT PIN 35-92		-
5	72147	2	HEXAGONAL SCREW M 10*16 DIN 933		-
6	72798	2	GREASE NIPPLE R 1/8" STRAIGHT		-
7	74531	2	SPACER NORDLOCK M10, PAIR		-

21.2.2024

65252 MULTI CONNECTOR, ON LOADER

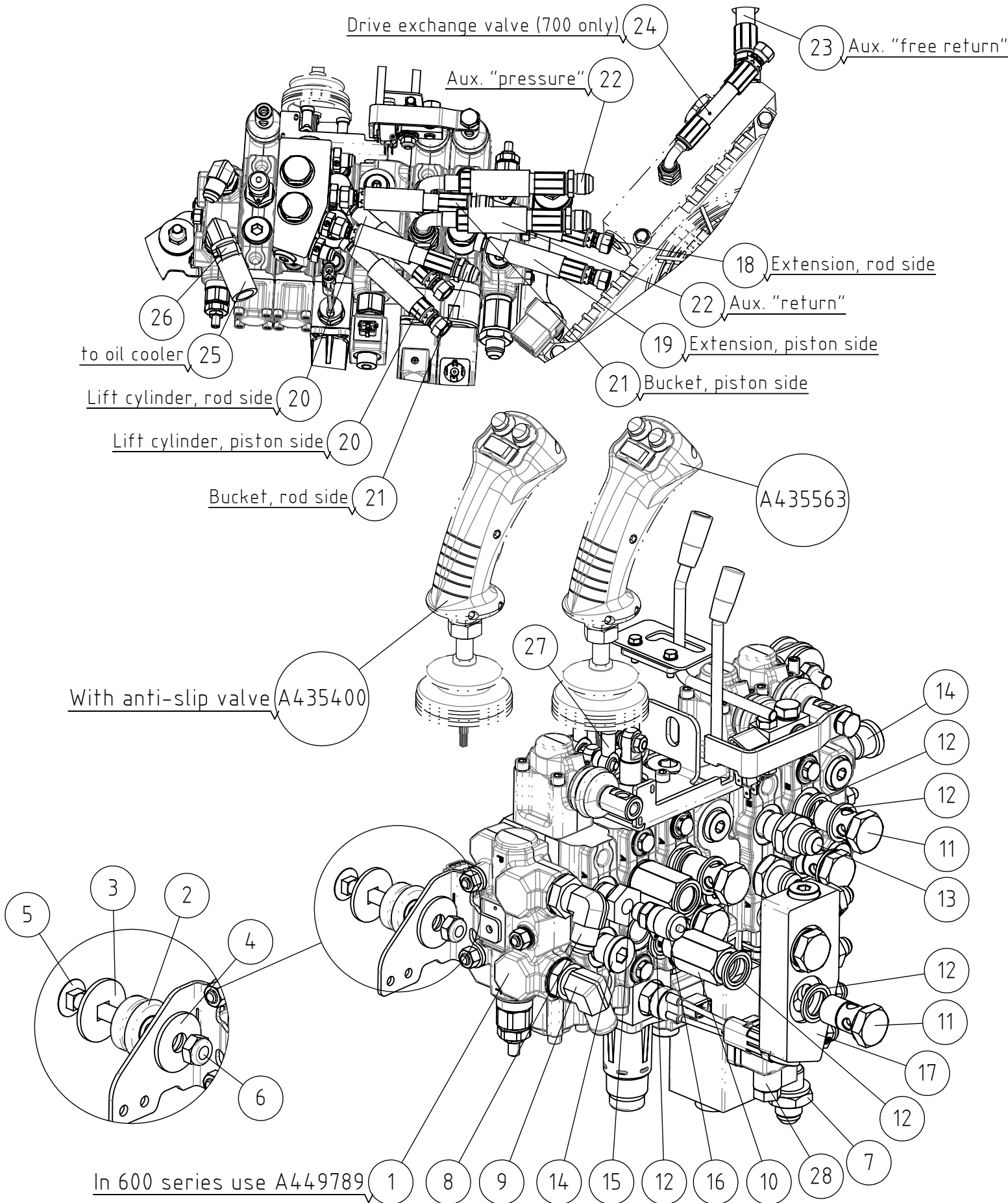


21.2.2024

65252 MULTI CONNECTOR, ON LOADER

REF	PART NO	QTY	DESCRIPTION	NOTES	PAGE
1	65882	1	CAP PLATE, KIT, MULTI CONNECTOR		-
2	65884	1	HANDLE, KIT, MULTI CONNECTOR ON LOADER		-
3	65881	1	QUICK COUPLER, ON MULTI CONNECTOR		-
4	65883	1	SAFETY BUTTON, KIT, MULTI CONNECTOR		-
5	65880	1	SEAL RING, MULTI CONNECTOR SK MF 12		-
6	75035	1	ELECTRIC CONNECTOR FEMININE, FASTER		-

A450588 CONTROL VALVE ASSEMBLY HDS16



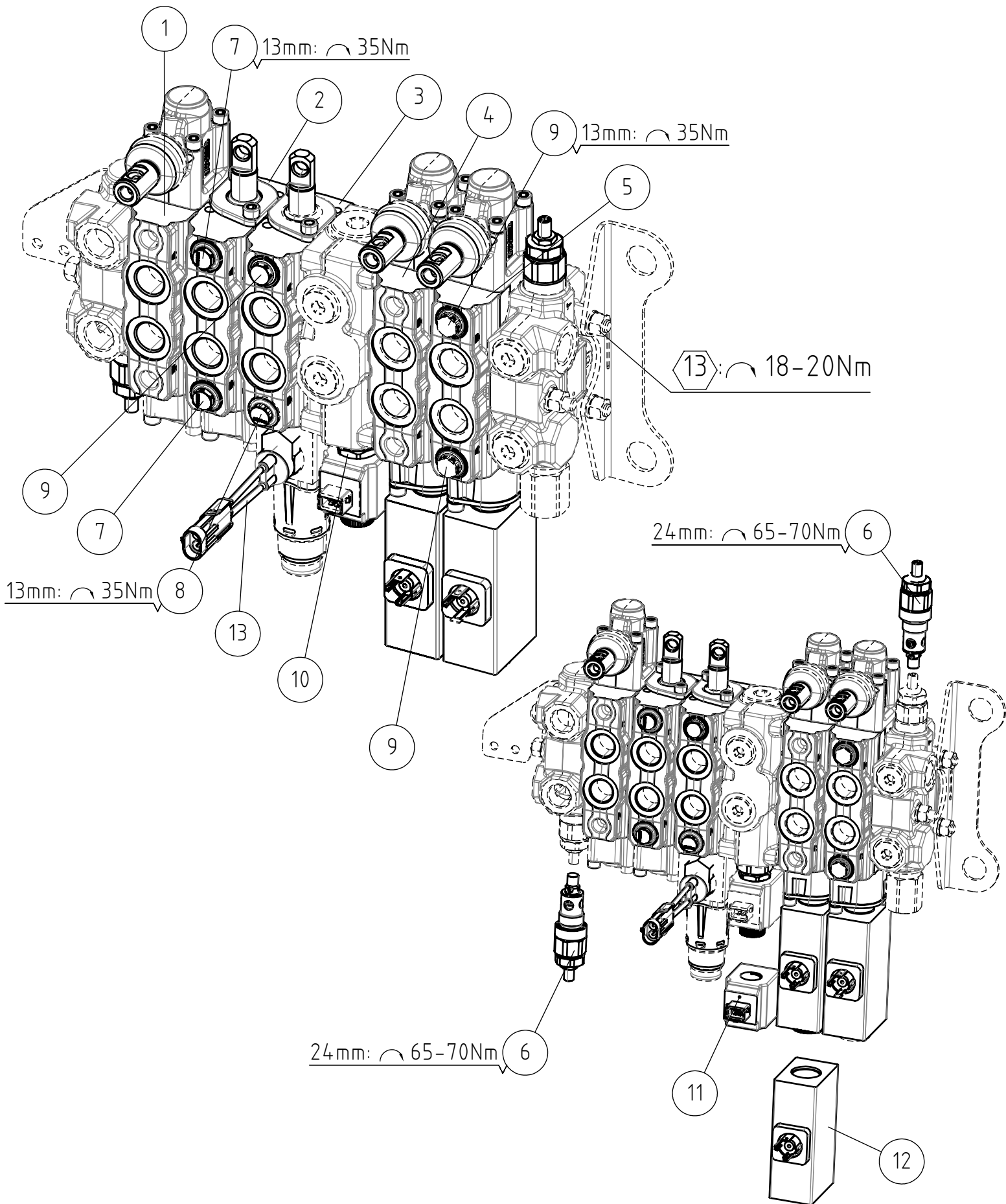
21.2.2024

A450588 CONTROL VALVE ASSEMBLY HDS16

REF	PART NO	QTY	DESCRIPTION	NOTES	PAGE
1	A429030	1	CONTROL VALVE HDS16		26
1.1	A439953	1	VALVE SECTION WITH BOOM FLOATING CONTROL		-
1.2	A447990	1	SEAL KIT CONTROL VALVE BUCHER A429030		-
2	A431033	3	VIBRATION DAMPER SCBR 45SH		-
3	A431029	3	SPACER 3MM		-
4	A431034	3	WASHER Ø38/12,5, S=3 SCBR 38		-
5	A437458	3	CARRIAGE BOLT M10*50 DIN603		-
6	72322	3	HEXAGONAL NUT M 10 NYLOC DIN 985		-
7	64058	1	BASIC FITTING F40XS12-1/2		-
8	64045	1	ELBOW FITTING 90° C40XS12-1/2 /2		-
9	A449632	1	HOSE BARB 90 DEGR. G1/2" - 20MM		-
10	A444789	2	BUSHING G1/2_G1/2		-
11	73959	6	BANJO BOLT R 1/2"		-
12	73047	14	USIT SEAL RING R/12"		-
13	65060	2	BASIC FITTING F40XS16-1/2		-
14	64174	2	HEXAGONAL DRAIN PLUG HF 1/2" WITH SEAL		-
15	64743	1	REDUCER FITTING R1/2" - EDX 1/4"		-
16	64196	1	MANOMETER FITTING M16*2		-
17	A446806	1	HYDRAULIC MANIFOLD ASSEMBLY CONTROL		-
18	A450589	1	HYDR. HOSE L=1430		-
19	A450590	1	HYDR. HOSE L=1330		-
20	A450594	2	HYDR. HOSE L=1650		-
21	A446821	2	HYDR. HOSE L=1410		-
22	A450591	2	HYDR. HOSE L=1180		-
23	A446841	1	HYDR. HOSE L=820		-
24	A434555	1	HYDR. HOSE L=2200		-
25	A450526	1	INLET HOSE L=730 D19		-
26	73530	2	HOSE CLAMP 22-32 MM		-
27	A452569	1	CONTROL LEVERS ASSEMBLY CONTROL VALVE		28
28	A424994	1	WIRE HARNESS SOLENOID VALVE 528-700		-

21.2.2024

A429030 CONTROL VALVE HDS16



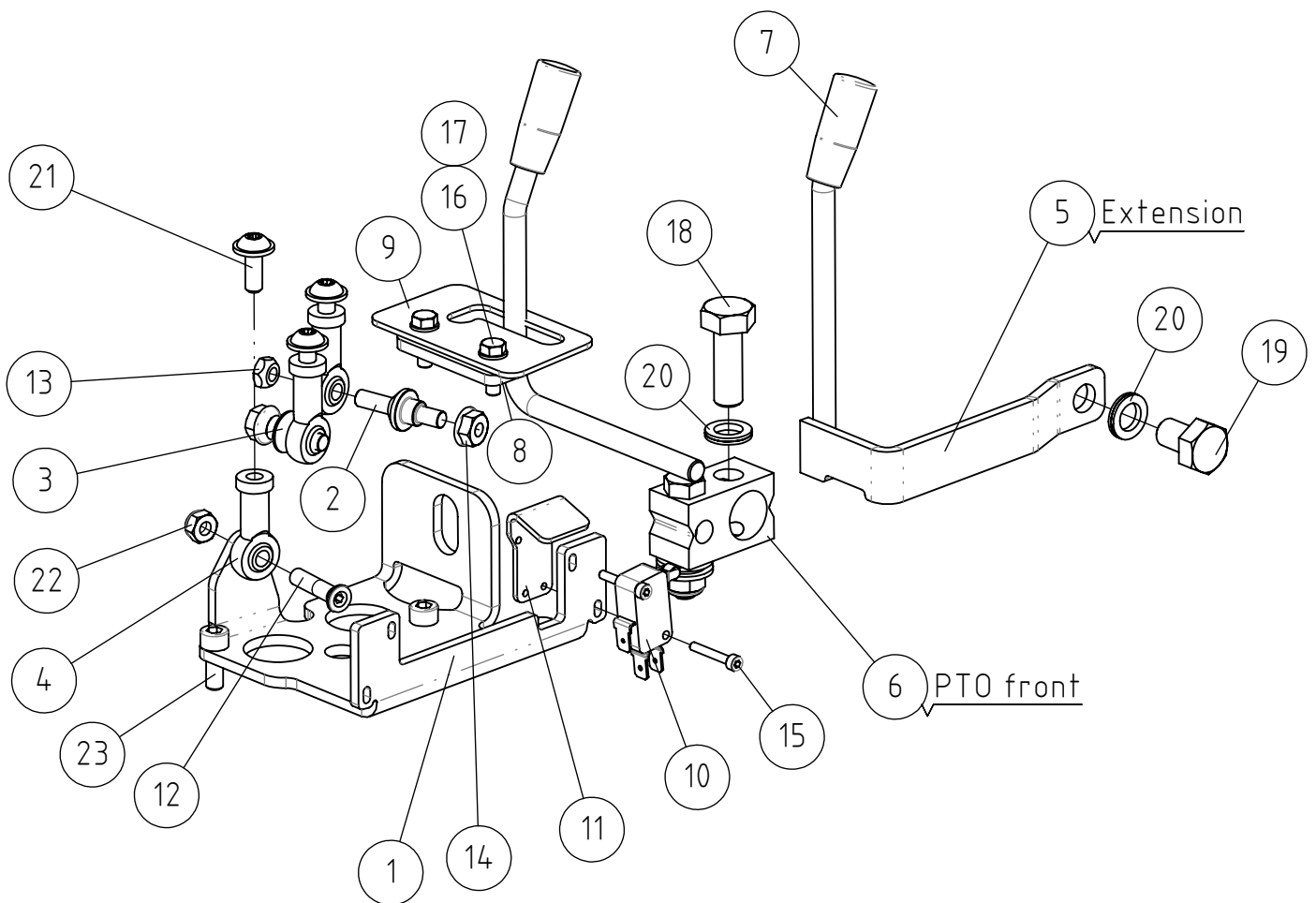
21.2.2024

A429030 CONTROL VALVE HDS16

REF	PART NO	QTY	DESCRIPTION	NOTES	PAGE
1	A449639	1	VALVE SECTION REAR AUX. HYDR., CONTROL		-
2	A449637	1	VALVE SECTION TILT CYLINDER CONTROL		-
3	A439953	1	VALVE SECTION WITH BOOM FLOATING CONTROL		-
4	A449636	1	VALVE SECTION EXTRA FRONT AUX. HYDR.,		-
5	A443909	1	VALVE SECTION TELESCOPE, CONTROL VALVE		-
6	A449641	2	PRESSURE RELIEF VALVE CARTRIDGE 150-250		-
7	A449642	2	SHOCK- SUCTION VALVE CARTRIDGE 280 BAR		-
8	A449644	1	SHOCK- SUCTION VALVE CARTRIDGE 320 BAR		-
9	A449645	3	SUCTION VALVE CARTRIDGE HDS16		-
10	A449647	1	VALVE CARTRIDGE 2/2 PUMP SELECTION HDS16		-
11	A441534	1	SOLENOID 12V/21W + DIODE		-
12	A434106	1	SOLENOID 12VDC/60W PUSH-PULL		-
13	A449646	1	MICROSWITCH SAE 6 TO CONTROL VALVE HDS16		-
14	A447990	1	SEAL KIT CONTROL VALVE BUCHER A429030		-
-	A439953	1	VALVE SECTION WITH BOOM FLOATING CONTROL		-
-	A447990	1	SEAL KIT CONTROL VALVE BUCHER A429030		-

21.2.2024

A452569 CONTROL LEVERS ASSEMBLY CONTROL VALVE



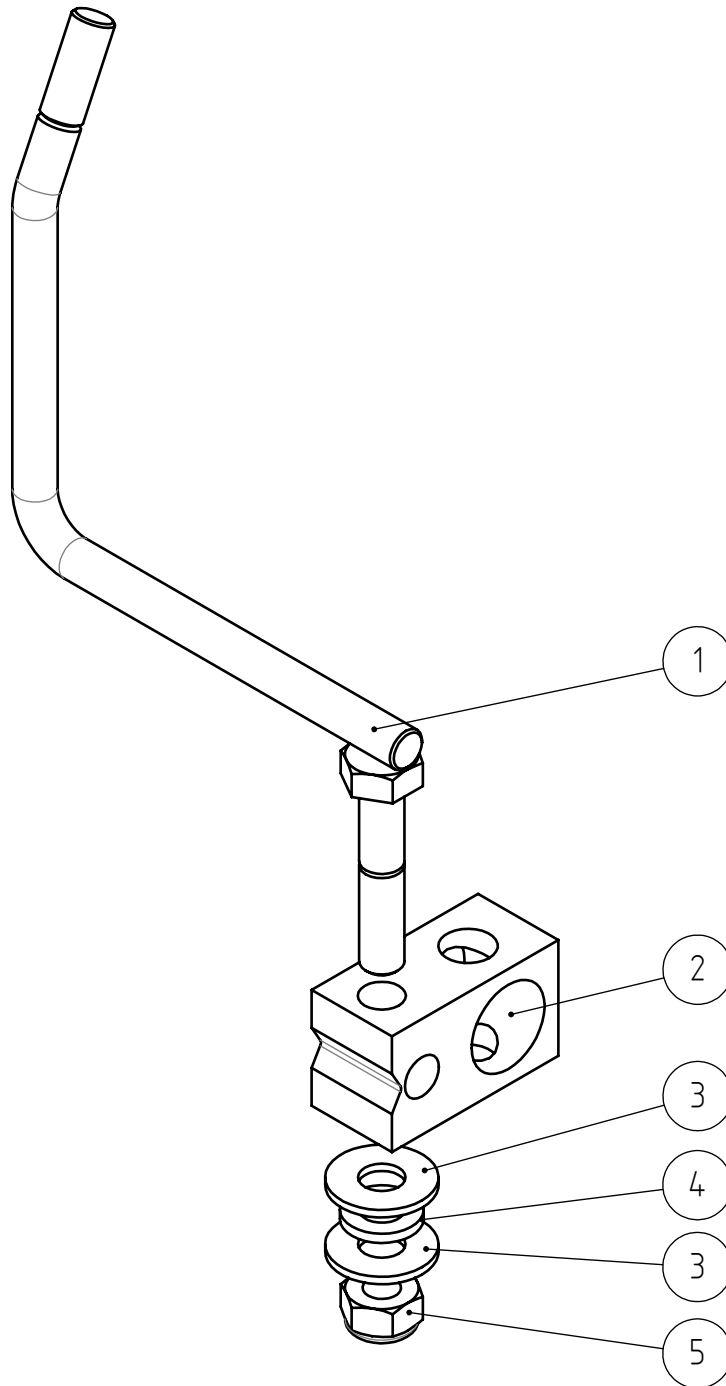
21.2.2024

A452569 CONTROL LEVERS ASSEMBLY CONTROL VALVE

REF	PART NO	QTY	DESCRIPTION	NOTES	PAGE
1	A452529	1	BOTTOM PLATE CONTROL LEVERS 600-800 SER		-
2	A431066	1	PIN LONG CONTROL LEVERS M6 THREAD		-
3	A450523	1	BOLT CONTROL LEVER		-
4	65501	3	ROD END JAF 6		-
5	A442075	1	CONTROL LEVER TELEBOOM 800 SERIES		-
6	A436748	1	CONTROL LEVER AUX. HYDR. FRONT ASSEMBLY		30
7	74761	2	KNOB, CONTROL LEVER		-
8	A48360	1	LOCKING PIECE		-
9	A410901	1	LOCKING PLATE, CONTROL LEVER		-
10	64504	1	MICROSWITCH		-
11	A449831	1	TIGHTENING PLATE MICROSWITCH		-
12	A450520	1	HEXAGONAL HEAD SCREW M6*25 10.9		-
13	A41822	1	LEVERAGE NUT M 6		-
14	74781	2	HEXAGONAL NUT M6 WITH FLANGE		-
15	A435740	2	HEXAGONAL HEAD SCREW M3*20 DIN 912		-
16	72110	2	HEX. SCREW M5*16 DIN 933		-
17	74448	2	WASHER M5 A5,3 DIN 125 ZN		-
18	72151	1	HEXAGONAL SCREW M10*30 DIN 933 ZN		-
19	72147	1	HEXAGONAL SCREW M 10*16 DIN 933		-
20	74531	2	SPACER NORDLOCK M10, PAIR		-
21	A442149	3	THREAD-FORMING SCREW M6*16 BN219-8.8		-
22	72318	1	HEXAGONAL NUT M 6 DIN 985 NYLOC		-
23	73766	2	HEXAGONAL HEAD SCREW M6*16 DIN 912 2 8.8		-

21.2.2024

A436748 CONTROL LEVER AUX. HYDR. FRONT ASSEMBLY

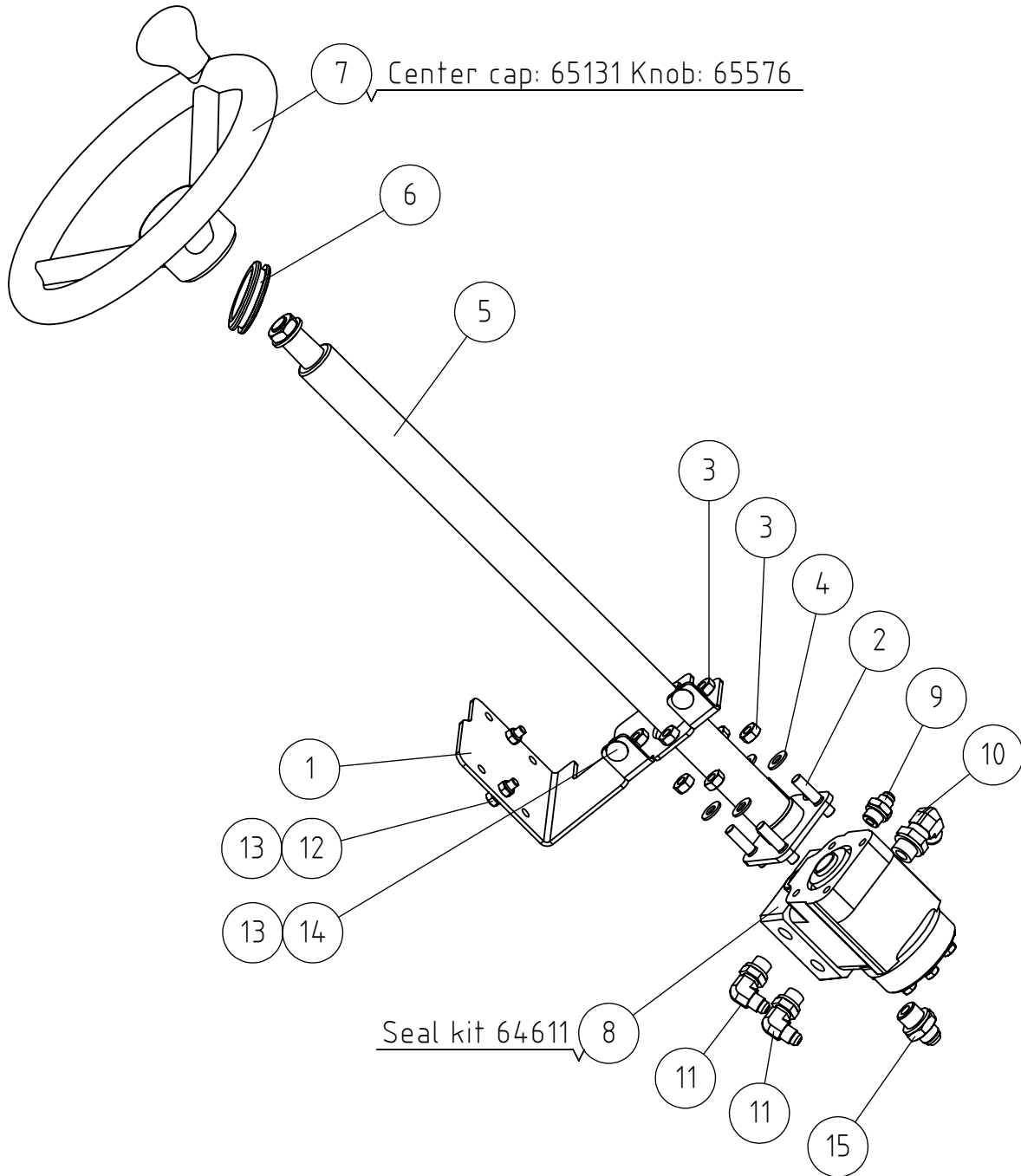


21.2.2024

A436748 CONTROL LEVER AUX. HYDR. FRONT ASSEMBLY

REF	PART NO	QTY	DESCRIPTION	NOTES	PAGE
1	A431076	1	CONTROL LEVER AUXILIARY HYDRAULICS FRONT		-
2	A431074	1	MOUNTING PIECE, CROSS, CONTROL LEVER		-
3	74525	2	WASHER M8 8,4*20*1,25 ZN		-
4	73962	1	WASHER M 8 DIN 127		-
5	72320	1	HEXAGONAL NUT M8 NYLOC DIN 985		-

A452574 STEERING COLUMN ASSEMBLY

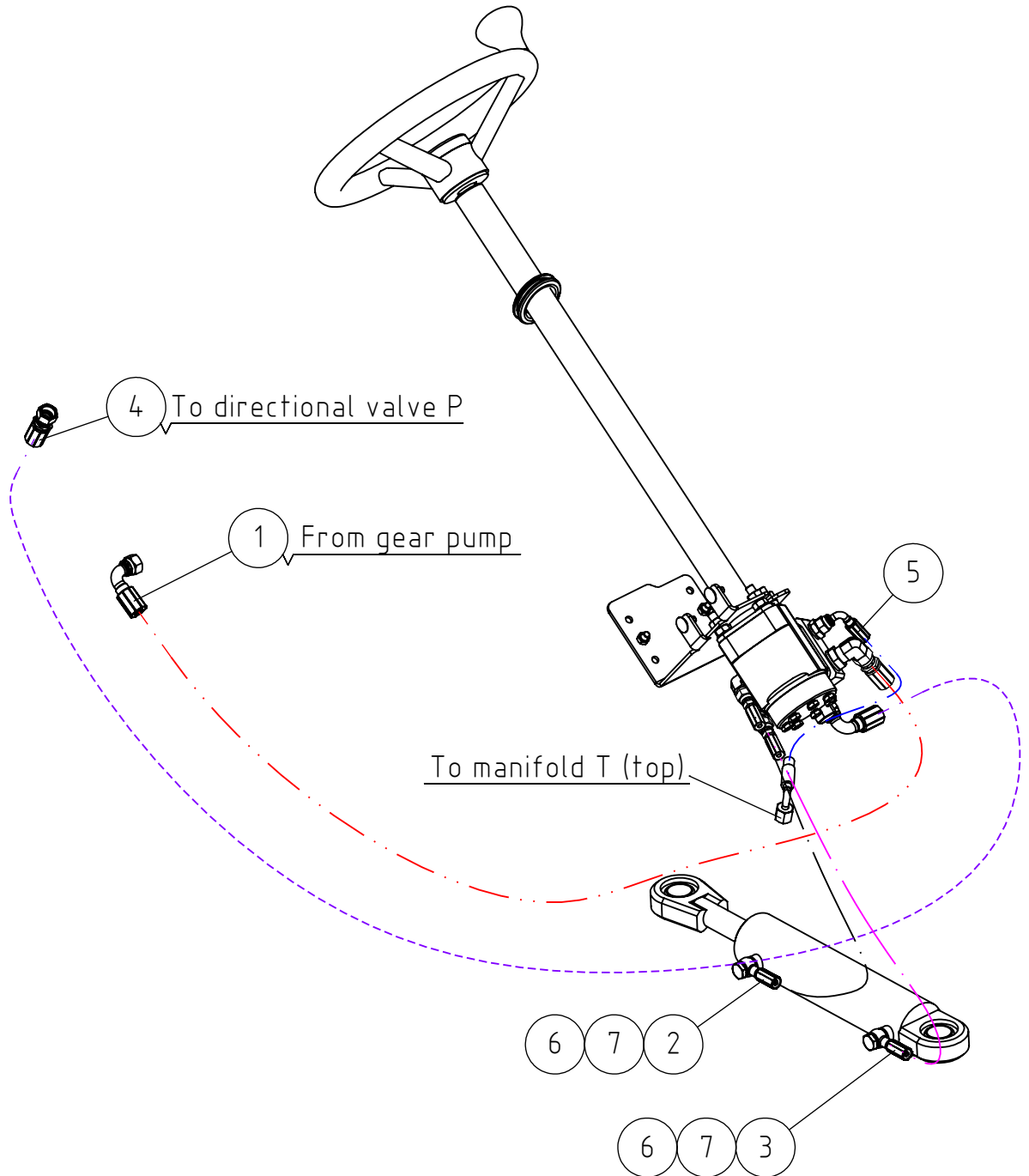


21.2.2024

A452574 STEERING COLUMN ASSEMBLY

REF	PART NO	QTY	DESCRIPTION	NOTES	PAGE
1	A446052	1	BRACKET ORBITROL 500-700 SERIES		-
2	74587	4	STUD M10* 35 DIN 939		-
3	72321	8	HEXAGONAL NUT M10 DIN 934		-
4	73121	4	WASHER M10 A10,5 DIN 125 ZN		-
5	66233	1	STEERING WHEEL ROD M+S KK650 -I		-
6	A428827	1	RUBBER BUSHING STEERING COLUMN		-
7	65076	1	STEERING WHEEL "AVANT" F320		-
7.1	65131	1	CENTER CAP, STEERING WHEEL		-
7.2	65576	1	KNOB, STEERING WHEEL, COBO 0034.1130		-
8	64178	1	CONTROL BLOCK M+S HKUS 80/5-140+PRDD80/7		-
8.1	A430819	1	HEXAGONAL HEAD SCREW M10*1*45 ORBITROL		-
8.2	64611	1	SEAL KIT 41 5137 0130 M+S HKUS ORBITROL		-
8.3	64612	1	SEAL KIT, PRIORITY VALVE / ORBITROL M+S		-
9	64041	1	BASIC FITTING F40XS10-3/8 /8		-
10	64045	1	ELBOW FITTING 90° C40XS12-1/2 /2		-
11	64044	2	ELBOW FITTING 90° C40XS10-3/8 /8		-
12	72132	2	HEXAGONAL SCREW M 8*25 DIN 933 ZN		-
13	72320	4	HEXAGONAL NUT M8 NYLOC DIN 985		-
14	74836	2	CARRIAGE BOLT M8*20		-
15	64058	1	BASIC FITTING F40XS12-1/2		-

A452815 HYDRAULIC HOSES ORBITROL 600-700 SERIES



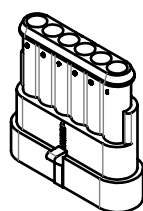
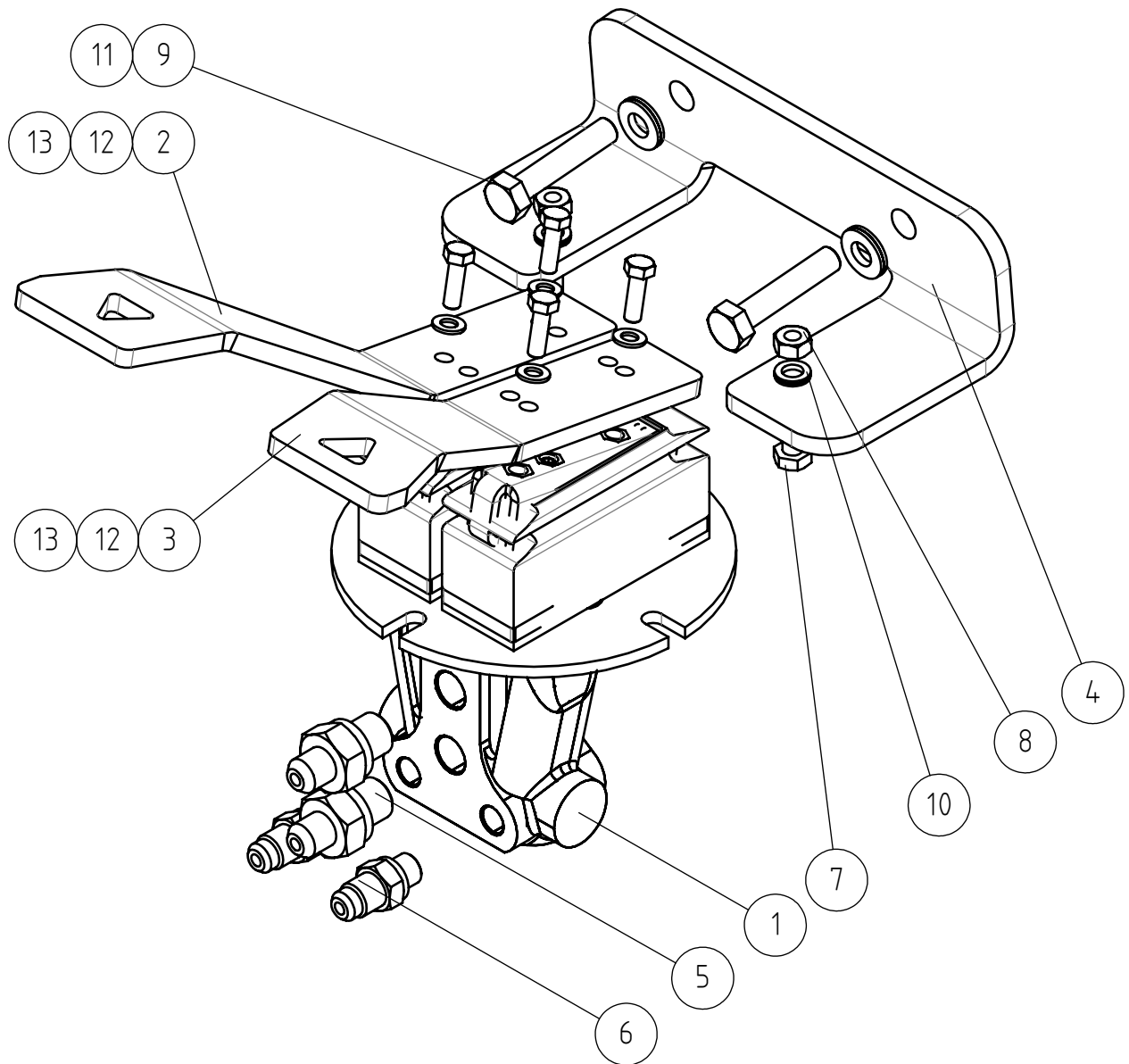
21.2.2024

A452815 HYDRAULIC HOSES ORBITROL 600-700 SERIES

REF	PART NO	QTY	DESCRIPTION	NOTES	PAGE
1	A48210	1	HYDR. HOSE L=1110		-
2	A462712	1	HYDR. HOSE L=1100		-
3	A462714	1	HYDR. HOSE L=850		-
4	A434550	2	HYDR. HOSE L=1900		-
5	A410017	1	HYDR. HOSE L=400		-
6	64557	2	BANJO BOLT R 1/4"		-
7	73757	4	USIT COMPRESSION R1/4"		-

21.2.2024

A440870 DRIVE PEDAL ASSEMBLY 700 SERIES

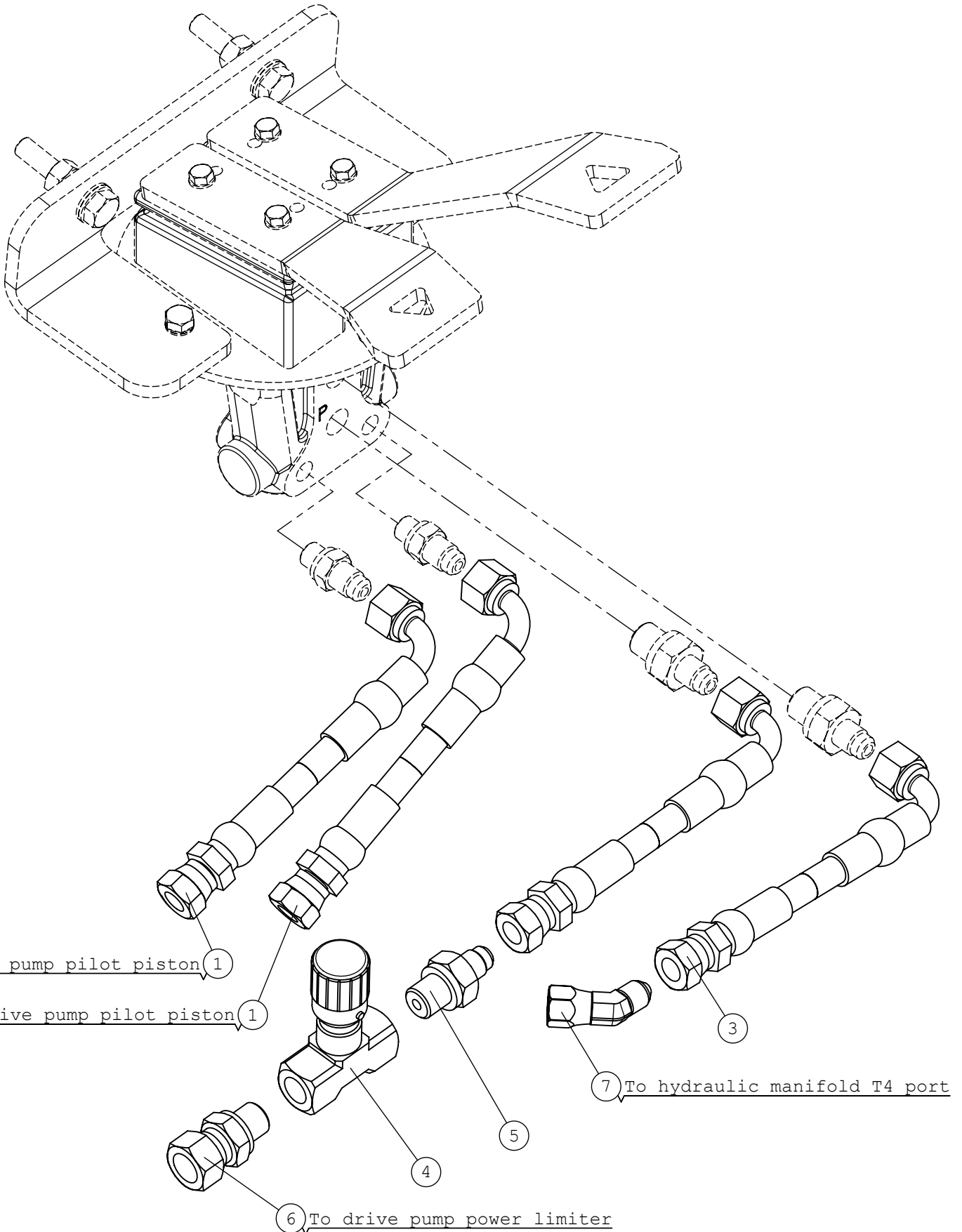


21.2.2024

A440870 DRIVE PEDAL ASSEMBLY 700 SERIES

REF	PART NO	QTY	DESCRIPTION	NOTES	PAGE
1	A432973	1	HYDRAULIC PEDALS 2-16BAR MICROSWITCH 5A		-
1.1	A451022	2	PROTECTIVE RUBBER DRIVE PEDALS		-
1.2	A445449	2	MICROSWITCH 5A WITH WIRE		-
2	A47550	1	DRIVE PEDAL, LEFT		-
3	A47551	1	DRIVE PEDAL, RIGHT		-
4	A47247	1	BRACKET, DRIVE PEDAL		-
5	64678	2	BASIC FITTING F40XS6-1/4"		-
6	64793	2	BASIC FITTING F40XS6-1/8"		-
7	72118	2	HEXAGONAL SCREW M6*20 DIN 933		-
8	72317	2	HEXAGONAL NUT M6 DIN 934		-
9	73222	2	HEXAGONAL SCREW M8*40 DIN 933		-
10	74530	2	WASHER NORDLOCK NL6		-
11	63944	2	WASHER, PAIR, NORD-LOCK M8		-
12	72110	4	HEX. SCREW M5*16 DIN 933		-
13	74448	4	WASHER M5 A5,3 DIN 125 ZN		-

A422190 HYDR. HOSES DRIVE PEDAL 700 SERIES

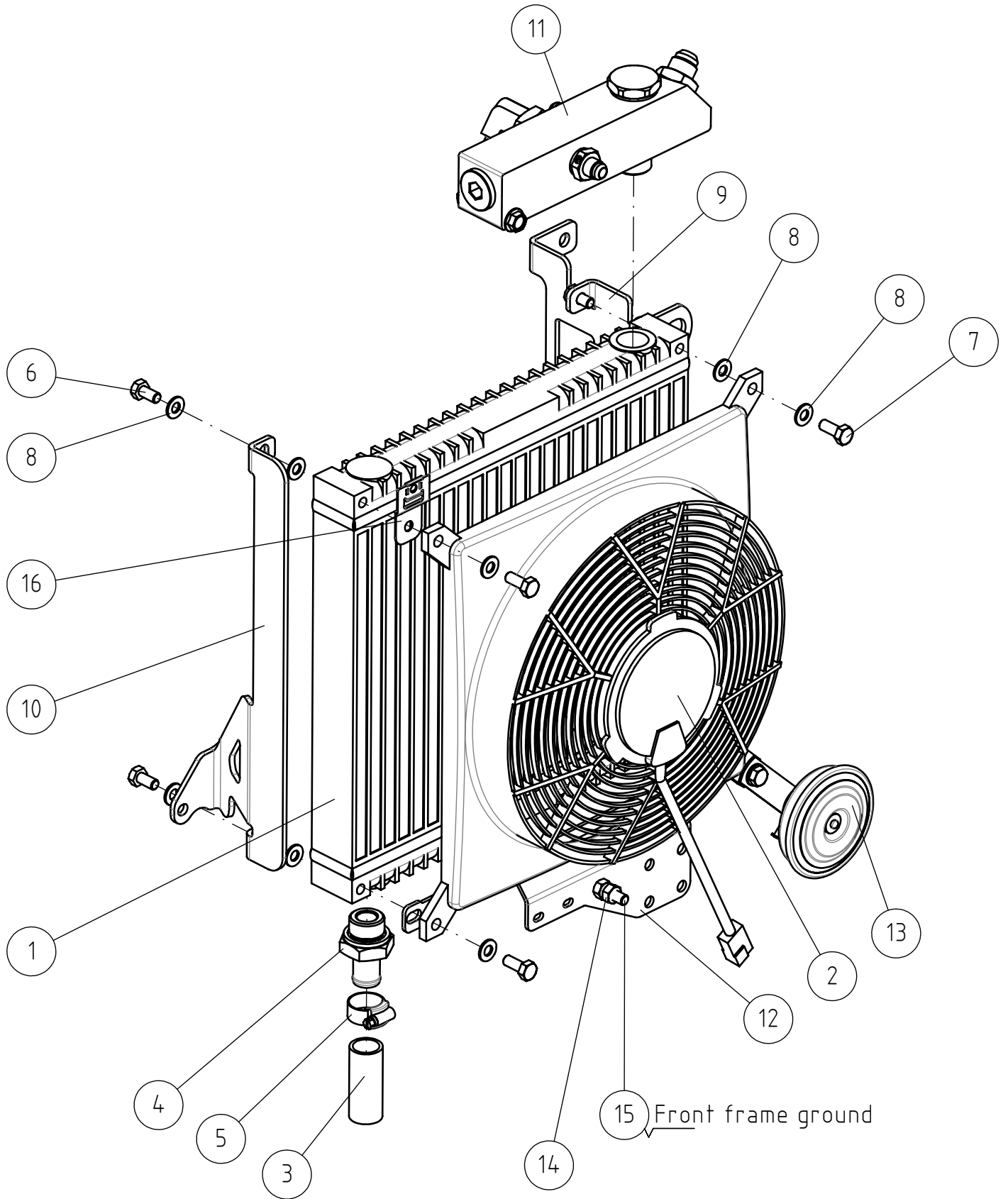


21.2.2024

A422190 HYDR. HOSES DRIVE PEDAL 700 SERIES

REF	PART NO	QTY	DESCRIPTION	NOTES	PAGE
1	A422164	2	HYDR. HOSE L=1240		-
2	A410274	1	HYDR. HOSE L=1120		-
3	A47643	1	HYDR. HOSE L=430 TYPE 087-3/16" JIC6-		-
4	63879	1	CHECK VALVE 9N400S R1/4"-R1/4"		-
5	64678	1	BASIC FITTING F40XS6-1/4"		-
6	64060	1	CONNECTOR NIPPLE F64XS10-1/4		-
7	65587	1	ELBOW FITTING 45° UNF 7/16" JIC		-

A446008 HYDRAULIC OIL COOLER ASSEMBLY 500-700



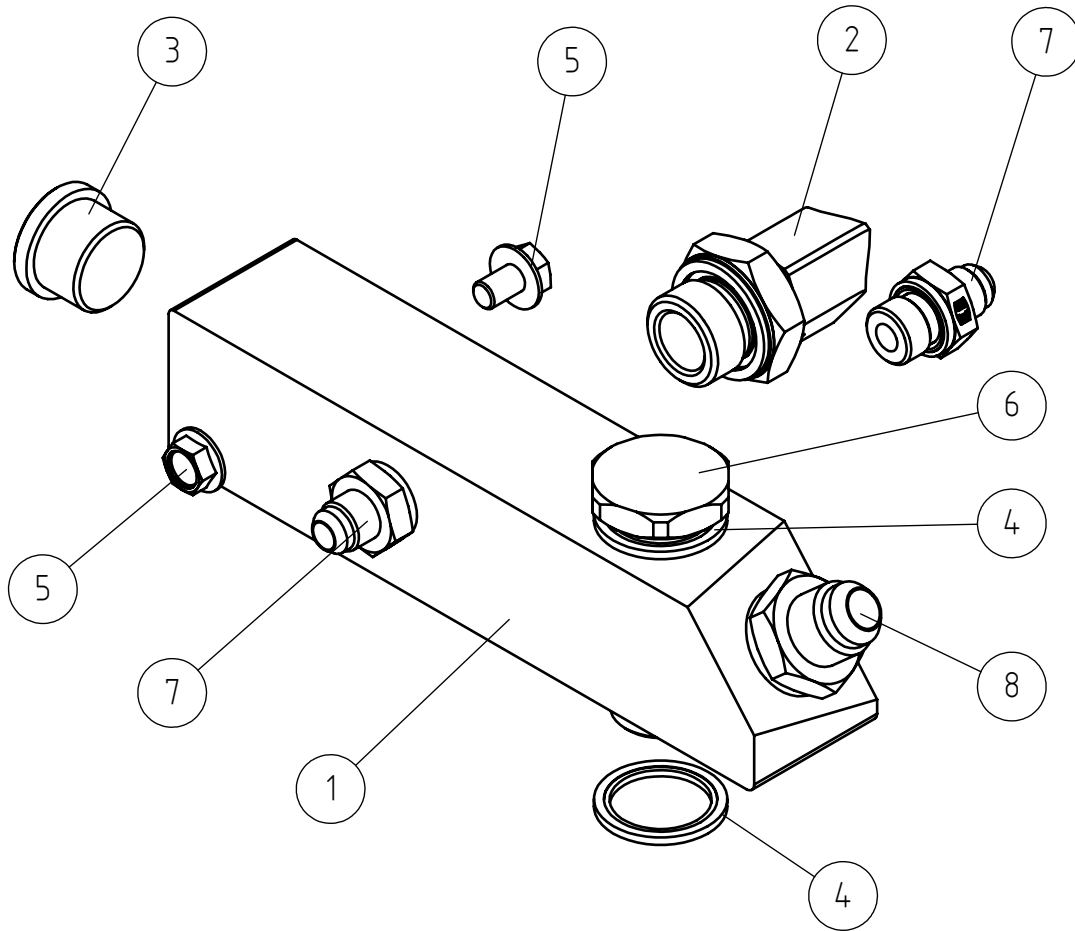
21.2.2024

A446008 HYDRAULIC OIL COOLER ASSEMBLY 500-700

REF	PART NO	QTY	DESCRIPTION	NOTES	PAGE
1	64934	1	OIL COOLER CELL ASA 350*350*45		-
2	65568	1	FAN, HYDRAULIC OIL COOLER COMEX F48-		-
3	A49182	1	INLET HOSE D=20 L=550		-
4	66427	1	HOSE BARB R3/4"UK - 20MM		-
5	73530	1	HOSE CLAMP 22-32 MM		-
6	73039	4	HEXAGONAL SCREW M 8*16 DIN 933 ZN		-
7	72130	4	HEXAGONAL SCREW M8*20		-
8	73122	13	WASHER M8 A8,4 DIN 125 ZN		-
9	A446011	1	BRACKET, UPPER, HYDR. OIL COOLER		-
10	A446012	1	BRACKET, LOWER, HYDR. OIL COOLER		-
11	A449648	1	HYDRAULIC MANIFOLD ASSEMBLY		42
12	A449902	1	MOUNTING BRACKET ACCUMULATOR		-
13	64157	1	SIGNAL HORN COMPLETE		-
14	72319	2	HEXAGONAL NUT M8 DIN 934		-
15	72133	1	HEXAGONAL SCREW M8*30 DIN 933		-
16	A451560	1	BRACKET CONNECTOR PLUG		-

21.2.2024

A449648 HYDRAULIC MANIFOLD ASSEMBLY



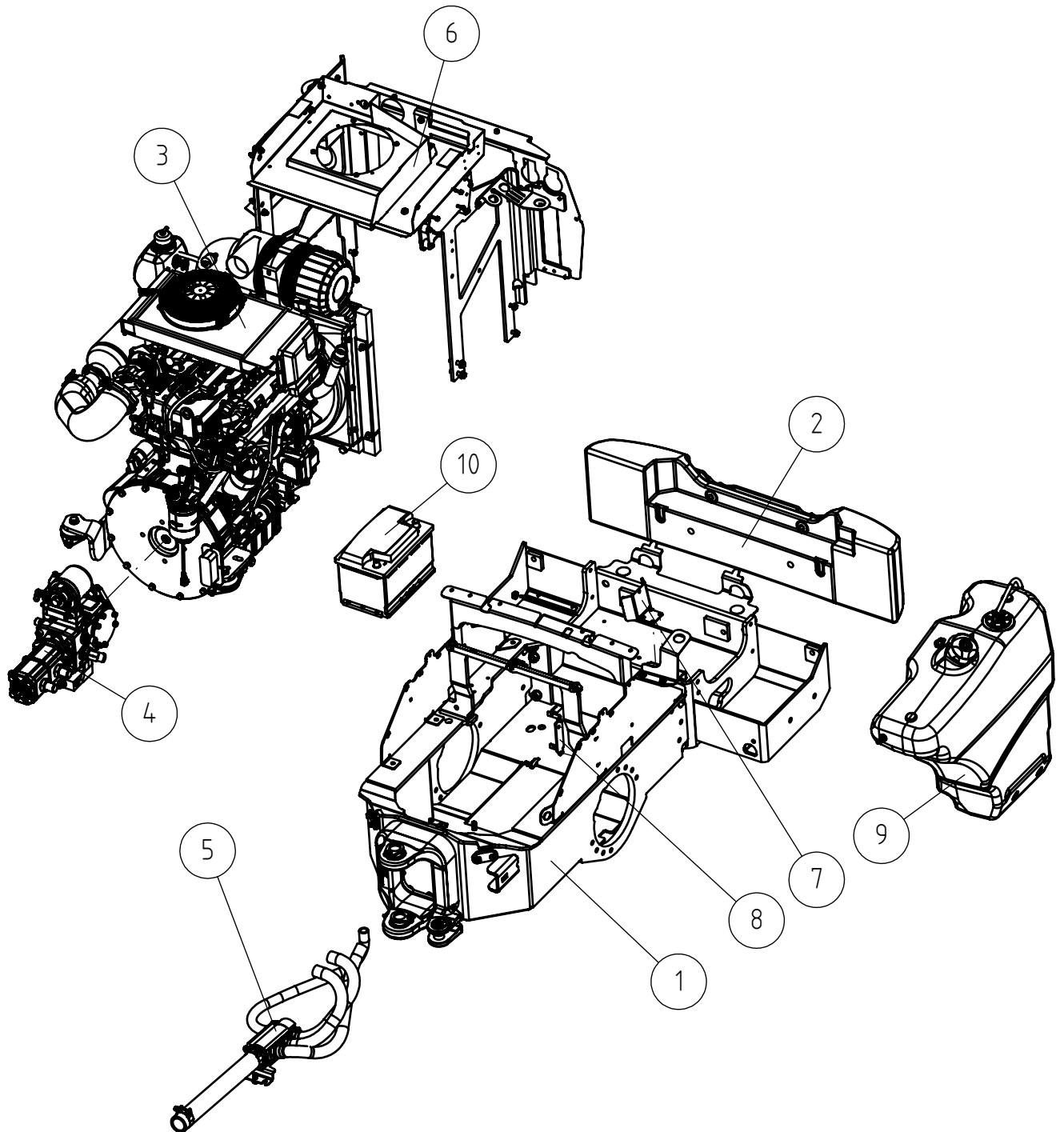
21.2.2024

A449648 HYDRAULIC MANIFOLD ASSEMBLY

REF	PART NO	QTY	DESCRIPTION	NOTES	PAGE
1	A449626	1	HYDRAULIC MANIFOLD TANK LINE		-
2	66281	1	HOSE BARB 90 DEGR R3/4"UK - 20MM		-
3	73768	1	HEXAGONAL PLUG HF-3/4" WITH SEAL		-
4	74976	2	SEAL USIT R3/4" F35,3*F27,0*2,0		-
5	A429197	2	HEXAGONAL SERRATED SCREW M8*12 W. FLANGE		-
6	A449633	1	BANJO BOLT R3/4" TANK LINE		-
7	64041	2	BASIC FITTING F40XS10-3/8 /8		-
8	65060	1	BASIC FITTING F40XS16-1/2		-

21.2.2024

A440450 REAR FRAME ASSEMBLY 755I/760I TIER 4



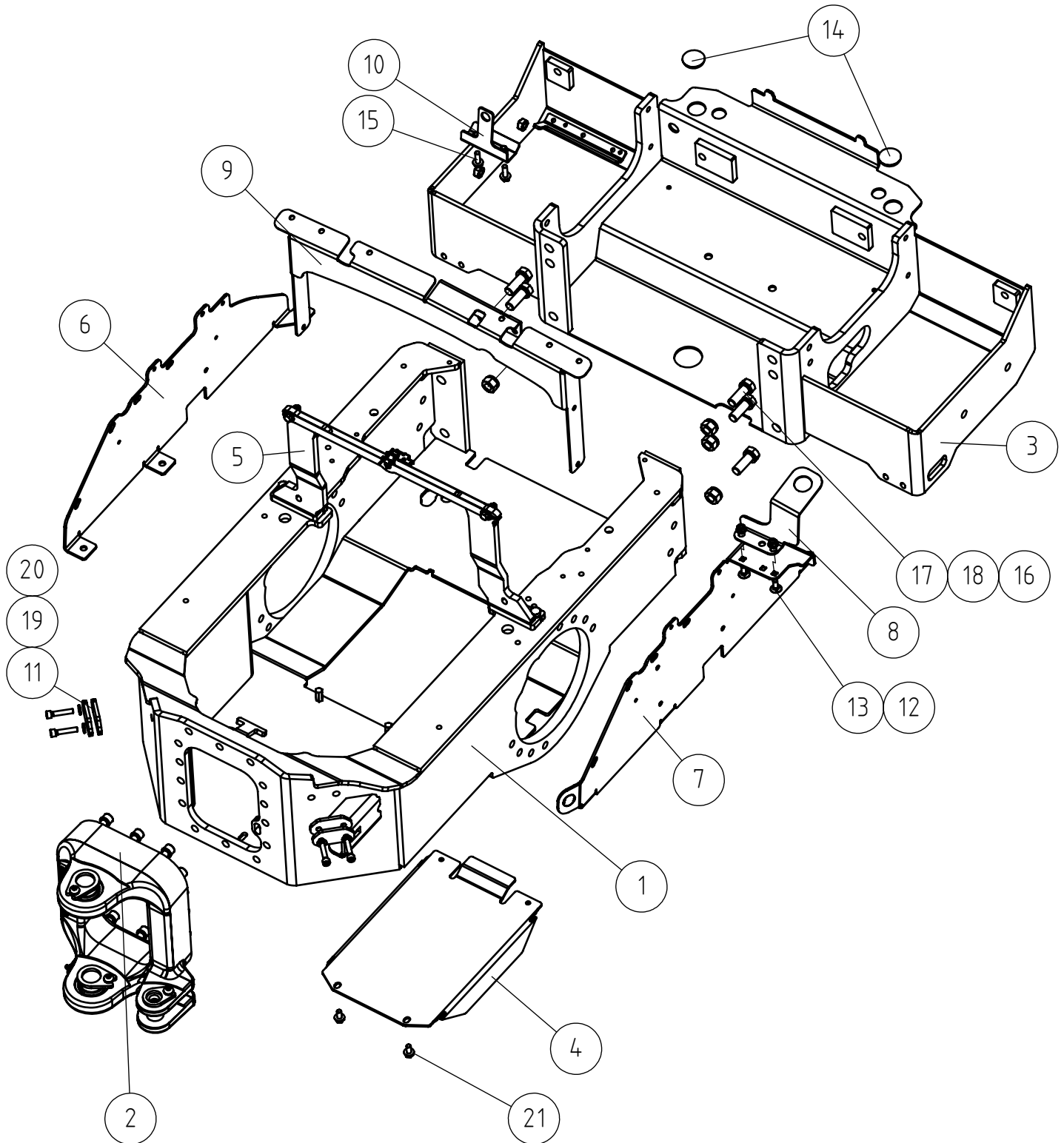
21.2.2024

A440450 REAR FRAME ASSEMBLY 755I/760I TIER 4

REF	PART NO	QTY	DESCRIPTION	NOTES	PAGE
1	A441337	1	REAR CHASSIS ASSEMBLY 700 SERIES		46
2	A36913	1	REAR WEIGHT (BUMPER) 168 KG, ASSEMBLY		52
3	A440451	1	ENGINE 1903TCR TIER 4 FINAL		54
4	A429274	1	HYDRAULIC PUMPS ASSEMBLY 755/760 OPTIDRI		66
5	A37242	1	HYDRAULIC MANIFOLD ASSEMBLY 400-800 SER		70
6	A437466	1	ENGINE BAY KOHLER KDI STG5 T4F 700-800		72
7	A419648	1	GUIDE PLATE 755I/760I		-
8	A417712	1	BRACKET, WIRE HARNESS ENGINE, 760I		-
9	A436129	1	FUEL TANK ASSEMBLY 66L		74
10	A438875	1	BATTERY 12V 77AH, 760A		-

21.2.2024

A441337 REAR CHASSIS ASSEMBLY 700 SERIES



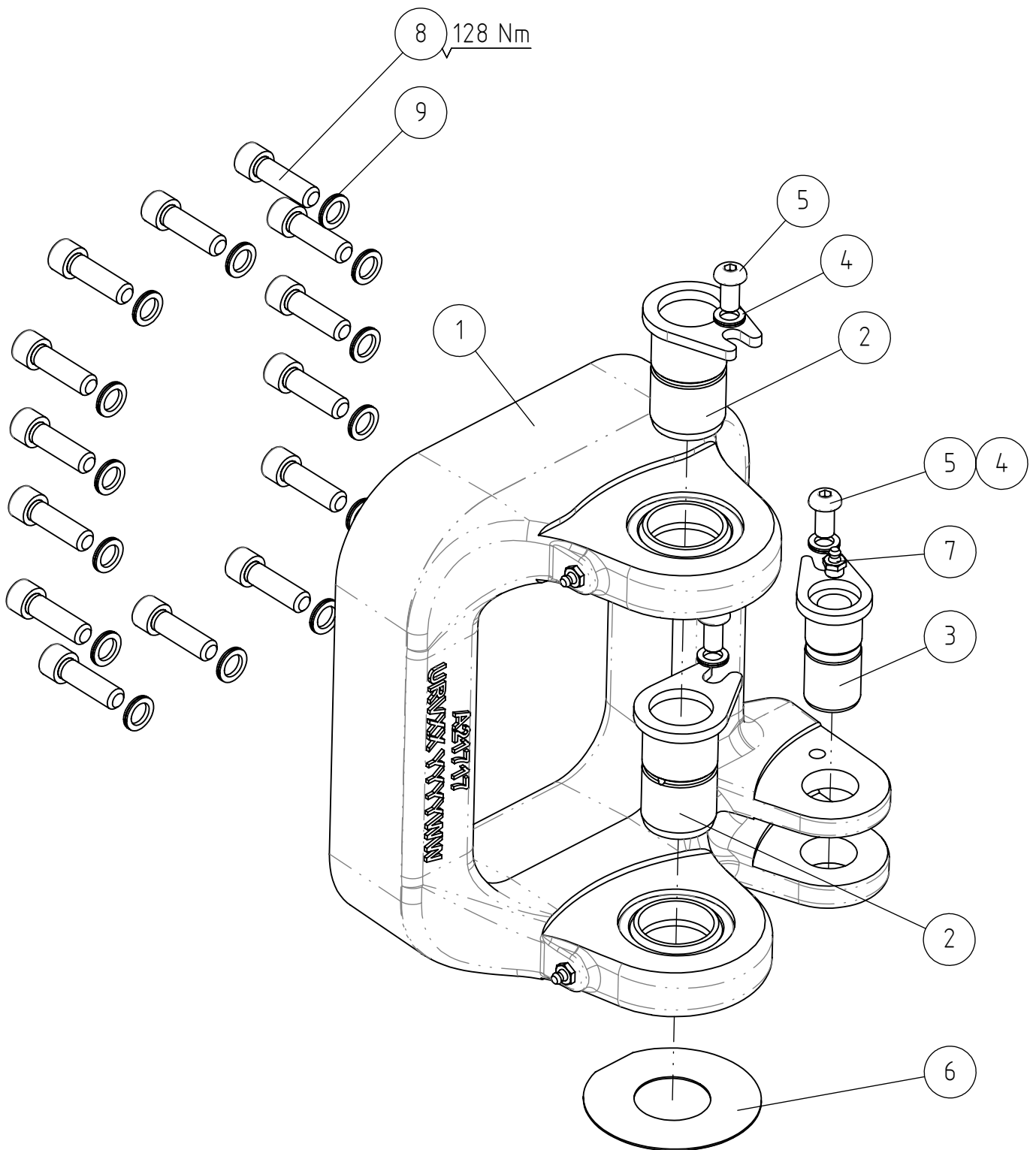
21.2.2024

A441337 REAR CHASSIS ASSEMBLY 700 SERIES

REF	PART NO	QTY	DESCRIPTION	NOTES	PAGE
1	A430885	1	BACK FRAME, FRONT PART 700 SERIES		-
2	A37449	1	ARTICULATION JOINT ASSEMBL REAR FRAME		48
3	A446037	1	REAR FRAME, MIDDLE PART 700/800 SERIES		-
4	A446658	1	SERVICE HATCH 400-700 SERIES		-
5	A415984	1	LOAD SENSOR SYSTEM, COMPLETE ASSEMBLY		50
6	A437435	1	SIDE PLATE RIGHT REAR FRAME 800 STAGE 5		-
7	A437437	1	SIDE PLATE LEFT REAR FRAME 800 STAGE 5		-
8	A437442	1	BRACKET FUEL TANK STAGE 5 700-800 SER		-
9	A437460	1	BRACKET COVER PLATES REAR STG5 700-800		-
10	A437653	1	BRACKET, BATTERY 700-800 SER		-
11	A442049	4	STOP PLATE STEERING		-
12	74782	2	HEXAGONAL NUT M8 WITH FLANGE		-
13	74836	2	CARRIAGE BOLT M8*20		-
14	65944	2	RUBBER PLUG F40/F32-12 S=5		-
15	A429202	2	HEXAGONAL SERRATED SCREW M8*25 WITH FLAN		-
16	74533	12	WASHER, PAIR, M16 NL16 NORDLOCK		-
17	A439220	6	HEXAGONAL SCREW M16*45 10.9 DIN 933		-
18	A439252	6	HEXAGONAL NUT M16 10.9 DIN 934		-
19	63944	4	WASHER, PAIR, NORD-LOCK M8		-
20	74918	4	HEXAGONAL HEAD SCREW M8*40 DIN 912		-
21	A429200	2	HEXAGONAL SERRATED SCREW M8*16 WITH		-

21.2.2024

A37449 ARTICULATION JOINT ASSEMBL REAR FRAME



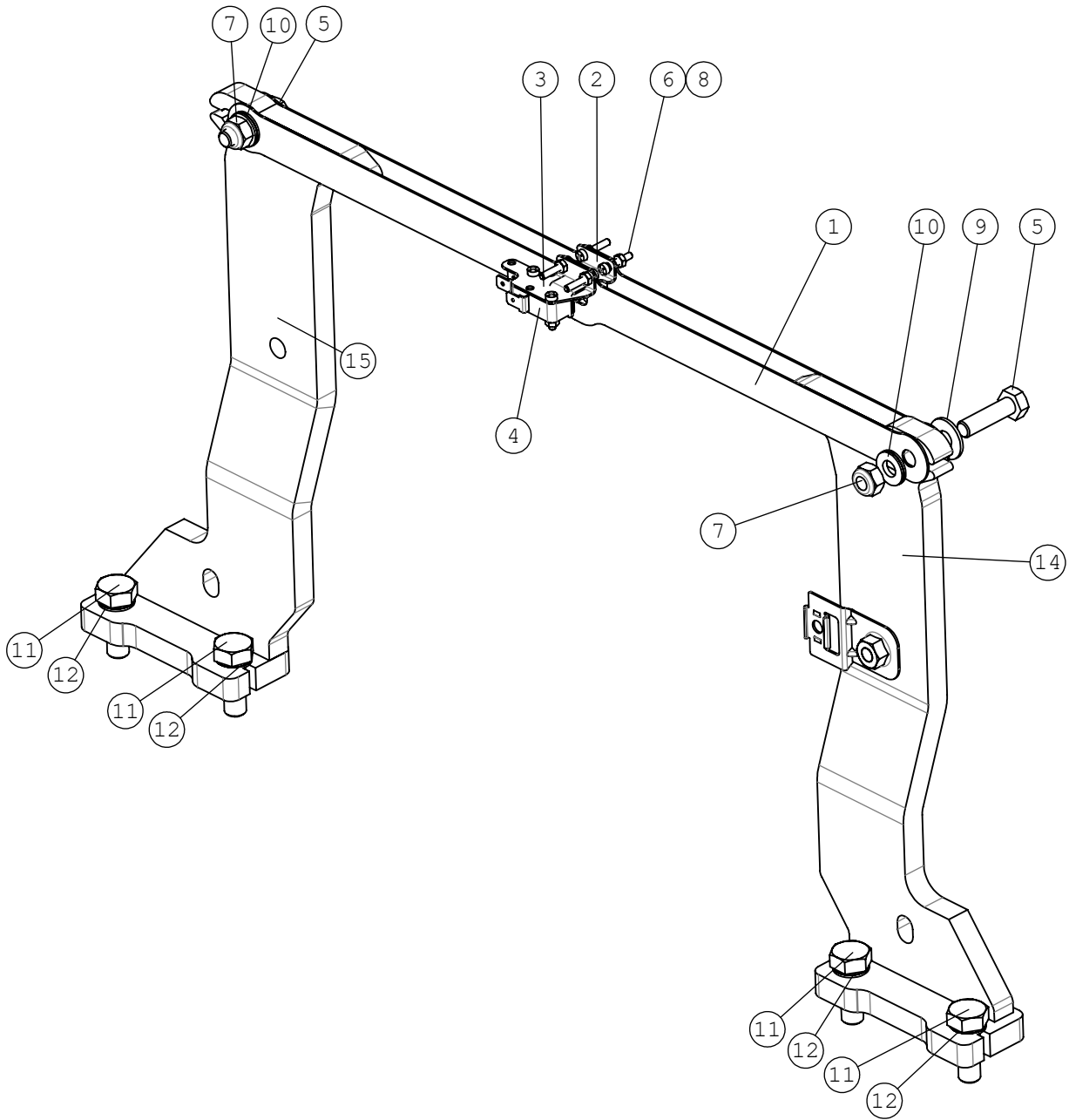
21.2.2024

A37449 ARTICULATION JOINT ASSEMBL REAR FRAME

REF	PART NO	QTY	DESCRIPTION	NOTES	PAGE
1	A444363	1	ARTICULATION JOINT CAST STEEL, ASSEMBLY		-
1.1	64911	2	ARTICUL. BEARING GE40ES F62/40-28(22)		-
2	A47043	2	PIVOT PIN F40-63		-
3	A47655	1	PIVOT PIN F30-60		-
4	74531	3	SPACER NORDLOCK M10, PAIR		-
5	A437915	3	HEXAGONAL HEAD SCREW M10*20 10.9 2		-
6	A48263	1	SHIM RING S=1 MM, ARTICULATION JOINT		-
7	72798	1	GREASE NIPPLE R 1/8" STRAIGHT		-
8	A437018	14	HEXAGONAL HEAD SCREW M12*40 12.9		-
9	74532	14	WASHER NORDLOCK NL12		-

21.2.2024

A415984 LOAD SENSOR SYSTEM, COMPLETE ASSEMBLY



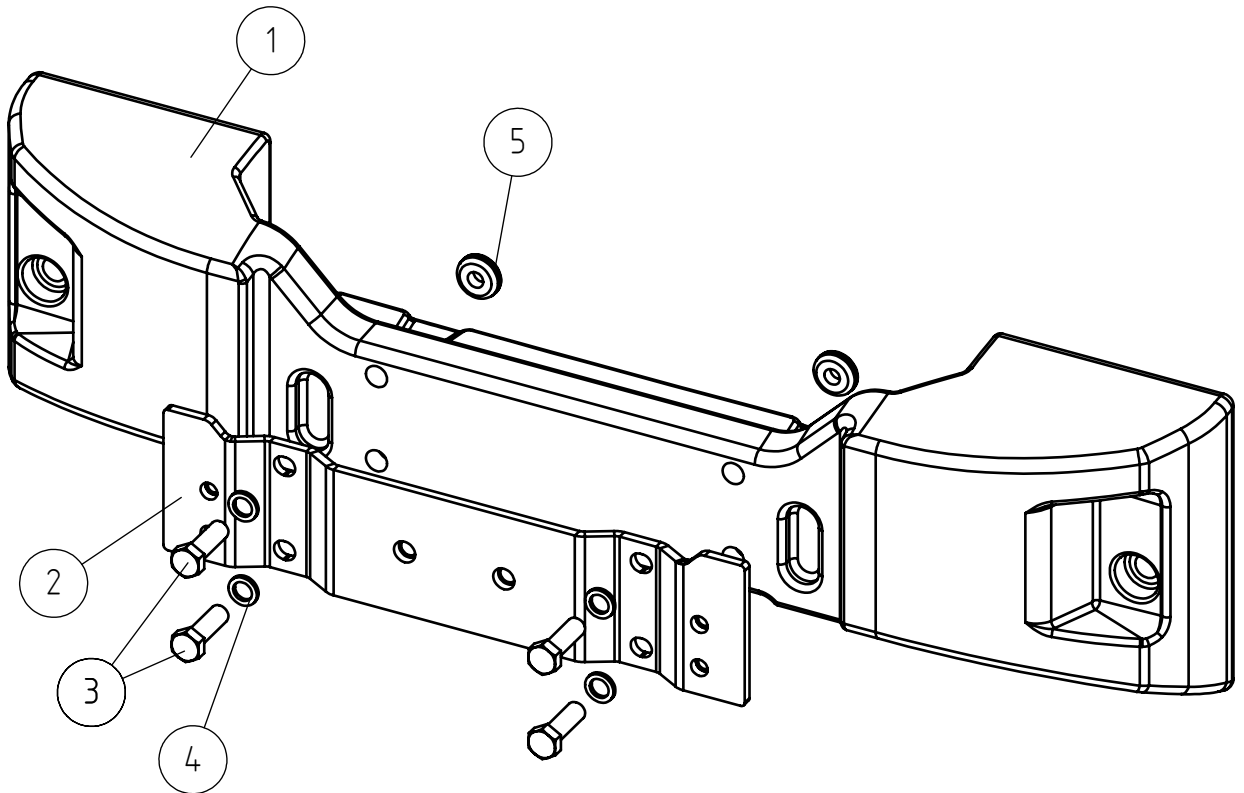
21.2.2024

A415984 LOAD SENSOR SYSTEM, COMPLETE ASSEMBLY

REF	PART NO	QTY	DESCRIPTION	NOTES	PAGE
1	A47912	2	BAND		-
2	A47908	1	CLAW		-
3	A47909	1	BRACKET, MICROSWITCH		-
4	64504	1	MICROSWITCH		-
5	72133	2	HEXAGONAL SCREW M8*30 DIN 933		-
6	74576	6	PAN HEAD MACHINE SCREW M3*16		-
7	72320	2	HEXAGONAL NUT M8 NYLOC DIN 985		-
8	74535	6	HEXAGONAL NUT M3		-
9	74525	2	WASHER M8 8,4*20*1,25 ZN		-
10	63944	2	WASHER, PAIR, NORD-LOCK M8		-
11	72151	4	HEXAGONAL SCREW M10*30 DIN 933 ZN		-
12	74531	4	SPACER NORDLOCK M10, PAIR		-
13	A417623	2	MOUNTING PLATE LOAD SENSOR SYSTEM		-
14	A417622	1	BRACKET, LEFT, LOAD SENSOR SYSTEM		-
15	A417621	1	BRACKET, RIGHT, LOAD SENSOR SYSTEM		-
16	A451560	1	BRACKET CONNECTOR PLUG		-
17	A450046	1	HEXAGONAL NUT M8 WITH FLANGE		-
18	A429201	1	HEXAGONAL SERRATED SCREW M8*20 WITH		-

21.2.2024

A36913 REAR WEIGHT (BUMPER) 168 KG, ASSEMBLY



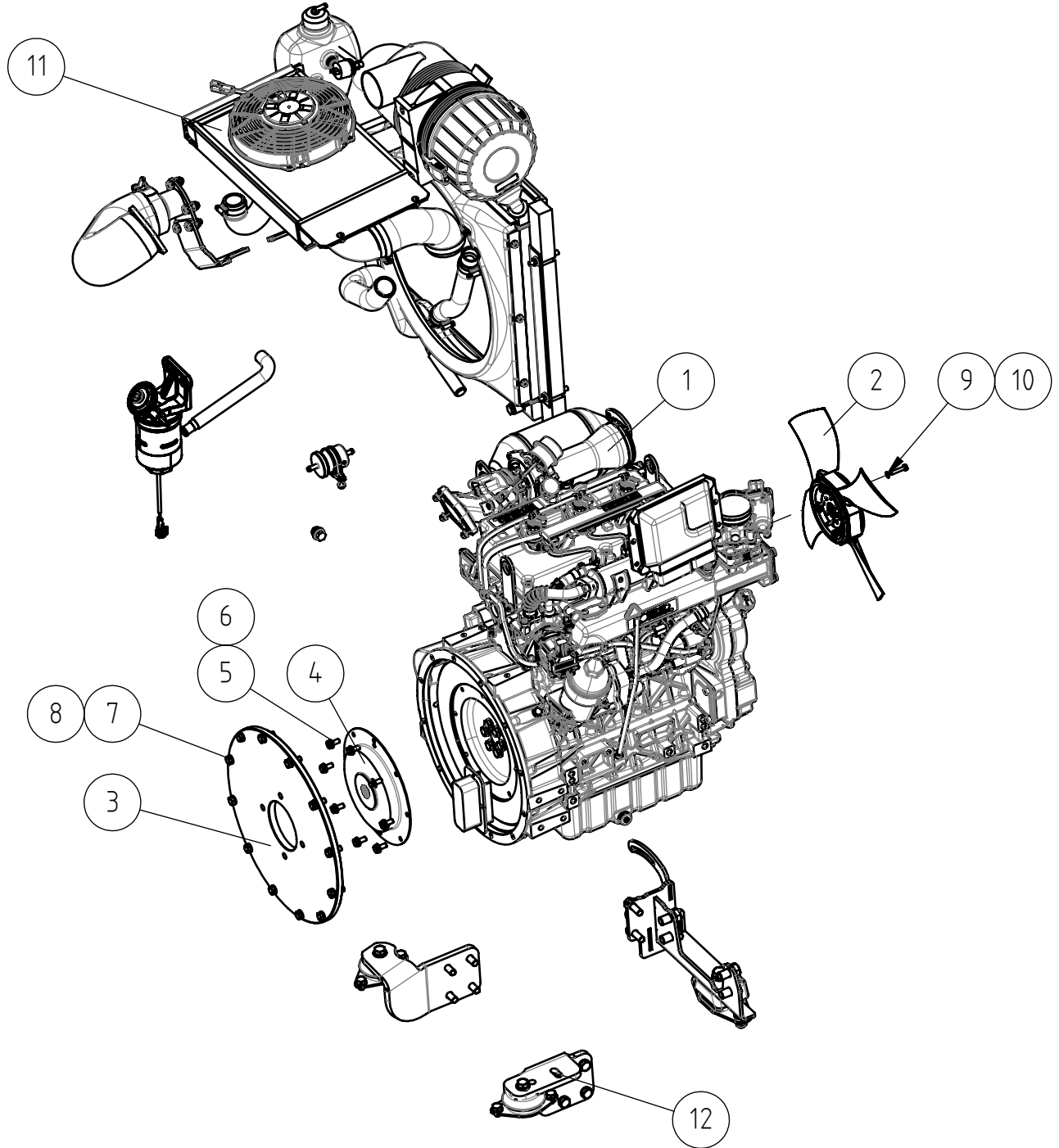
21.2.2024

A36913 REAR WEIGHT (BUMPER) 168 KG, ASSEMBLY

REF	PART NO	QTY	DESCRIPTION	NOTES	PAGE
1	A455991	1	REAR WEIGHT (BUMPER) 168KG WITH		-
2	A419683	1	MOUNTING PLATE, BACK WEIGHT 29 KG		-
3	72193	4	HEXAGONAL SCREW M16* 50 DIN 933		-
4	74533	4	WASHER, PAIR, M16 NL16 NORDLOCK		-
5	A423105	2	PRESS NUT M16 37 MM		-

21.2.2024

A440451 ENGINE 1903TCR TIER 4 FINAL



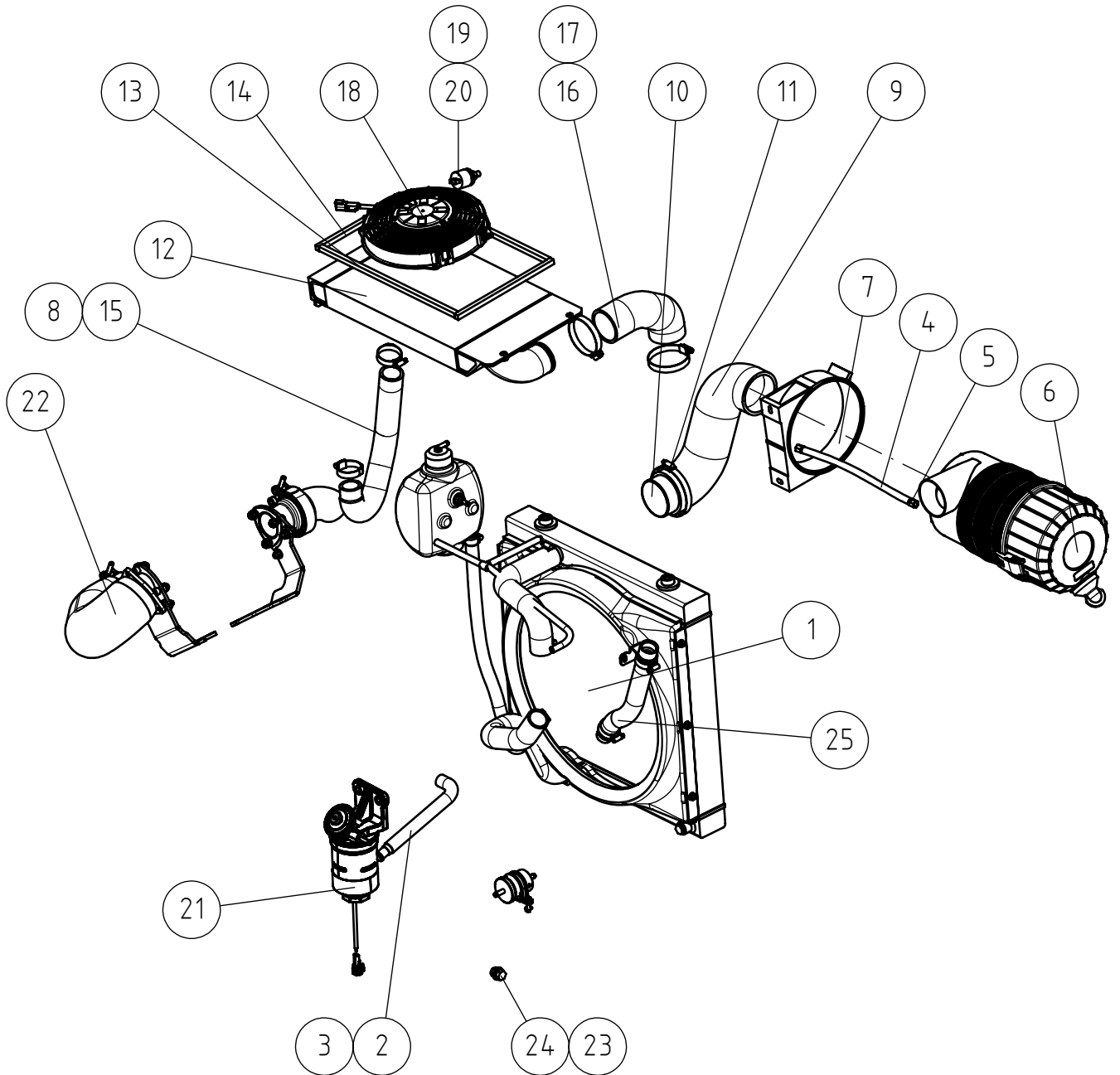
21.2.2024

A440451 ENGINE 1903TCR TIER 4 FINAL

REF	PART NO	QTY	DESCRIPTION	NOTES	PAGE
1	A442747	1	ENGINE 1903TCR TIER 4 FINAL 2600RPM		-
2	66451	1	FAN F390 4 BLADE		-
3	66508	1	FLYWHEEL HOUSING BONDIOLI/KOHLER SAE B		-
4	66510	1	COUPLING Z=15 BONDIOLI / KOHLER KDI		-
5	74849	8	HEXAGONAL SCREW UNC 5/16"* 3/4"		-
6	63944	8	WASHER, PAIR, NORD-LOCK M8		-
7	74974	12	HEXAGONAL SCREW UNC 3/8" * 1" DIN 933		-
8	74531	12	SPACER NORDLOCK M10, PAIR		-
9	74530	4	WASHER NORDLOCK NL6		-
10	73199	4	HEXAGONAL SCREW M6*30 DIN 933		-
11	A443586	1	ACCESSORIES ENGINE KOHLER KDI TIER 4		56
12	A441869	1	MOUNTING BRACKETS ENGINE KOHLER KDI		64

21.2.2024

A443586 ACCESSORIES ENGINE KOHLER KDI TIER 4



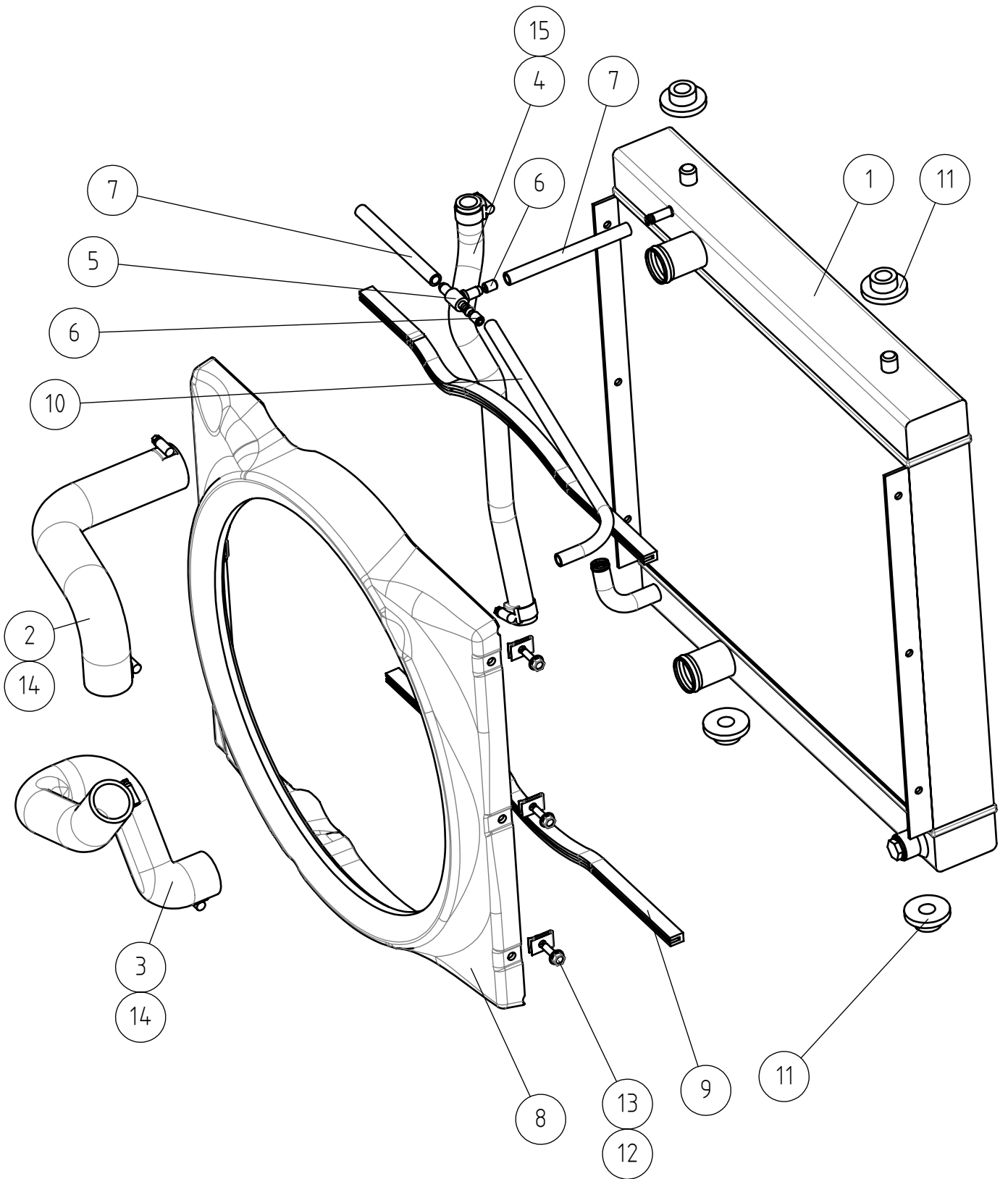
21.2.2024

A443586 ACCESSORIES ENGINE KOHLER KDI TIER 4

REF	PART NO	QTY	DESCRIPTION	NOTES	PAGE
1	A451363	1	RADIATOR ASSEMBLY KOHLER KDI 700-800		58
2	A419094	1	HOSE 90X190/16 MM		-
3	65558	1	PIPE CONNECTOR		-
4	A419104	1	WATER HOSE L=300		-
5	66101	2	HOSE BARB NPTF1/8"SK-1/4" L=24		-
6	65941	1	AIR FILTER COMPLETE		-
6.1	66060	1	AIR FILTER CARTRIDGE 6351-6501 7551 7601		-
6.2	66061	1	AIR FILTER, INNER SCREEN ELEMENT		-
7	65946	1	CLAMP, AIR FILTER 65941		-
8	A441329	2	HOSE CLAMP D35-50/12		-
9	A436271	1	INLET HOSE KOHLER KDI STAGE 5 700-800		-
10	A418655	1	BUSHING		-
11	64340	1	HOSE CLAMP ABA 87-112 MM		-
12	A35932	1	INTERCOOLER KOHLER KDI 1903TCR		-
13	A438778	2	WEATHER STRIP L=390 700-800 SERIES		-
14	A438779	2	WEATHER STRIP L=250 700-800 SERIES		-
15	A446241	1	HOSE TURBO-INTERCOOLER KOHLER KDI		-
16	A416699	1	HOSE, INTERCOOLER OUT		-
17	64339	2	HOSE CLAMP ABA 68-85 MM		-
18	A439887	1	FAN D225 BLOWING TYPE		-
19	65526	1	GROMMET F32/25/19		-
20	66045	1	DUST LOAD INDICATOR 52MBAR 46V/5W		-
21	A438649	1	FUEL HOSE ASSEMBLY STAGE 5 700-800 SER		-
22	A440787	1	EXHAUST PIPE ASSEMBLY KOHLER KDI TIER 4		60
23	75173	1	SEAL RING COPPER F24/F18*1.5 DIN 7603		-
24	66497	1	DRAIN PLUG KOHLER KDI M18*1.5		-
25	A436335	1	OIL FILLER TUBE AVANT 700-800		-

21.2.2024

A451363 RADIATOR ASSEMBLY KOHLER KDI 700-800



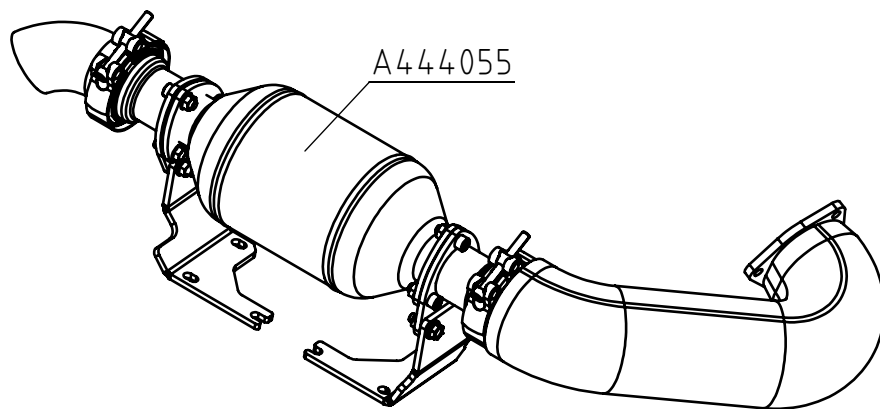
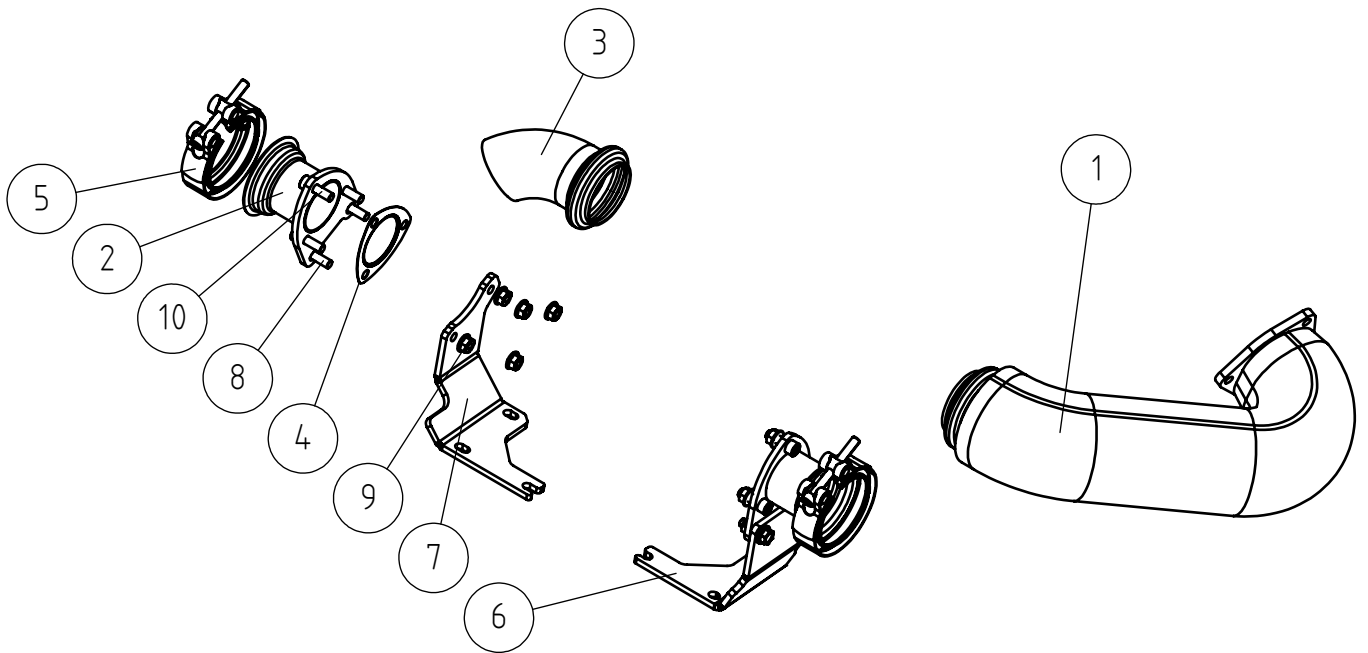
21.2.2024

A451363 RADIATOR ASSEMBLY KOHLER KDI 700-800

REF	PART NO	QTY	DESCRIPTION	NOTES	PAGE
1	A443473	1	RADIATOR KUBOTA/KOHLER		-
2	A416559	1	RADIATOR HOSE UPPER		-
3	A422143	1	RADIATOR HOSE LOWER 760I		-
4	A450939	1	WATER HOSE OVERFLOW TANK 700/800		-
5	A419103	1	T NIPPLE		-
6	A417903	2	FLOW RESTRICTOR		-
7	A417900	2	WATER HOSE L=130		-
8	A436008	1	WIND TUNNEL KOHLER KDI, 700-800 SERIES		-
9	A438764	1	EDGE STRIP WIND TUNNEL KOHLER KDI		-
10	A417902	1	WATER HOSE L=400		-
11	A420381	4	VIBRATION DAMPER RUBBER RADIATOR		-
12	74807	6	SPEED NUT M6, FOR 0.5-4.0 MM PLATE		-
13	A431349	6	HEXAGONAL SERRATED SCREW M6*20 W. FLANG		-
14	73809	4	HOSE CLAMP 32-44 MM		-
15	64337	2	HOSE CLAMP 19-28 MM ABA		-

21.2.2024

A440787 EXHAUST PIPE ASSEMBLY KOHLER KDI TIER 4



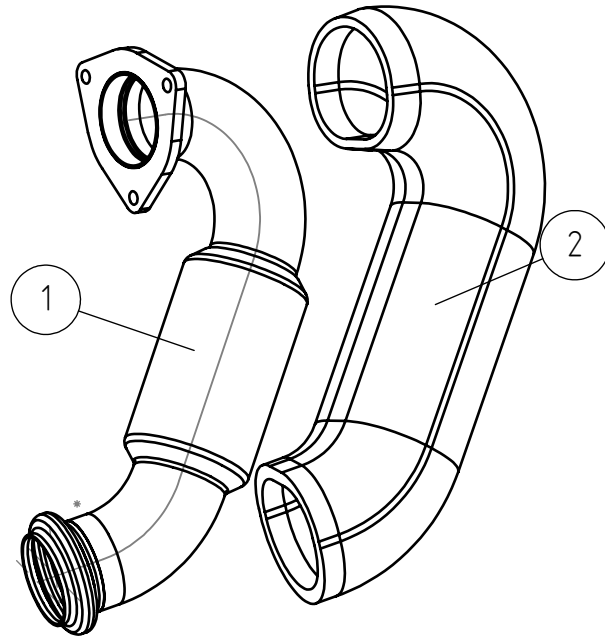
21.2.2024

A440787 EXHAUST PIPE ASSEMBLY KOHLER KDI TIER 4

REF	PART NO	QTY	DESCRIPTION	NOTES	PAGE
1	A436177	1	EXHAUST PIPE ASSEMBL KOHLER KDI STAGE V		62
2	A442449	2	FLANGE EXHAUST PIPE 700/800 SERIES TIER		-
3	A432672	1	EXHAUST TIP KOHLER KDI STAGE 5		-
4	A442450	2	GASKET DOC 700/800 TIER 4 FINAL		-
5	A436831	2	V-CLAMP PARTICULATE FILTER 700-800 SER		-
6	A441144	1	MOUNTING BRACKET FRONT DOC 7551/7601		-
7	A441138	1	MOUNTING BRACKET REAR DOC KOHLER		-
8	A429202	4	HEXAGONAL SERRATED SCREW M8*25 WITH FLAN		-
9	74782	10	HEXAGONAL NUT M8 WITH FLANGE		-
10	71884	6	HEXAGONAL HEAD SCREW M 8*25 DIN 912 2		-

21.2.2024

A436177 EXHAUST PIPE ASSEMBL KOHLER KDI STAGE V



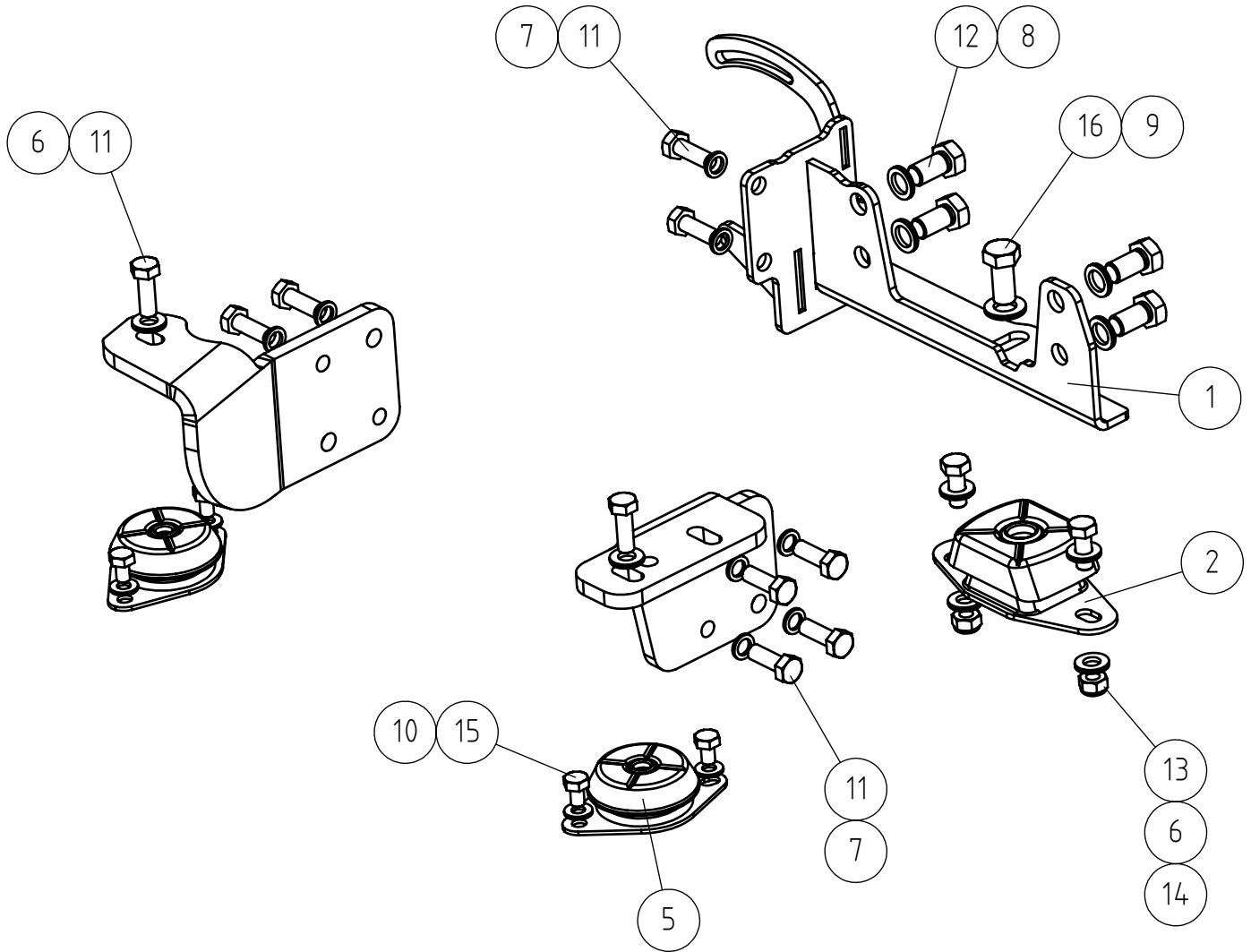
21.2.2024

A436177 EXHAUST PIPE ASSEMBL KOHLER KDI STAGE V

REF	PART NO	QTY	DESCRIPTION	NOTES	PAGE
1	A436161	1	EXHAUST MUFFLER KOHLER KDI STAGE V DPF		-
2	A436229	1	HEAT SHIELD EXHAUST MUFFLER KOHLER KDI		-

21.2.2024

A441869 MOUNTING BRACKETS ENGINE KOHLER KDI



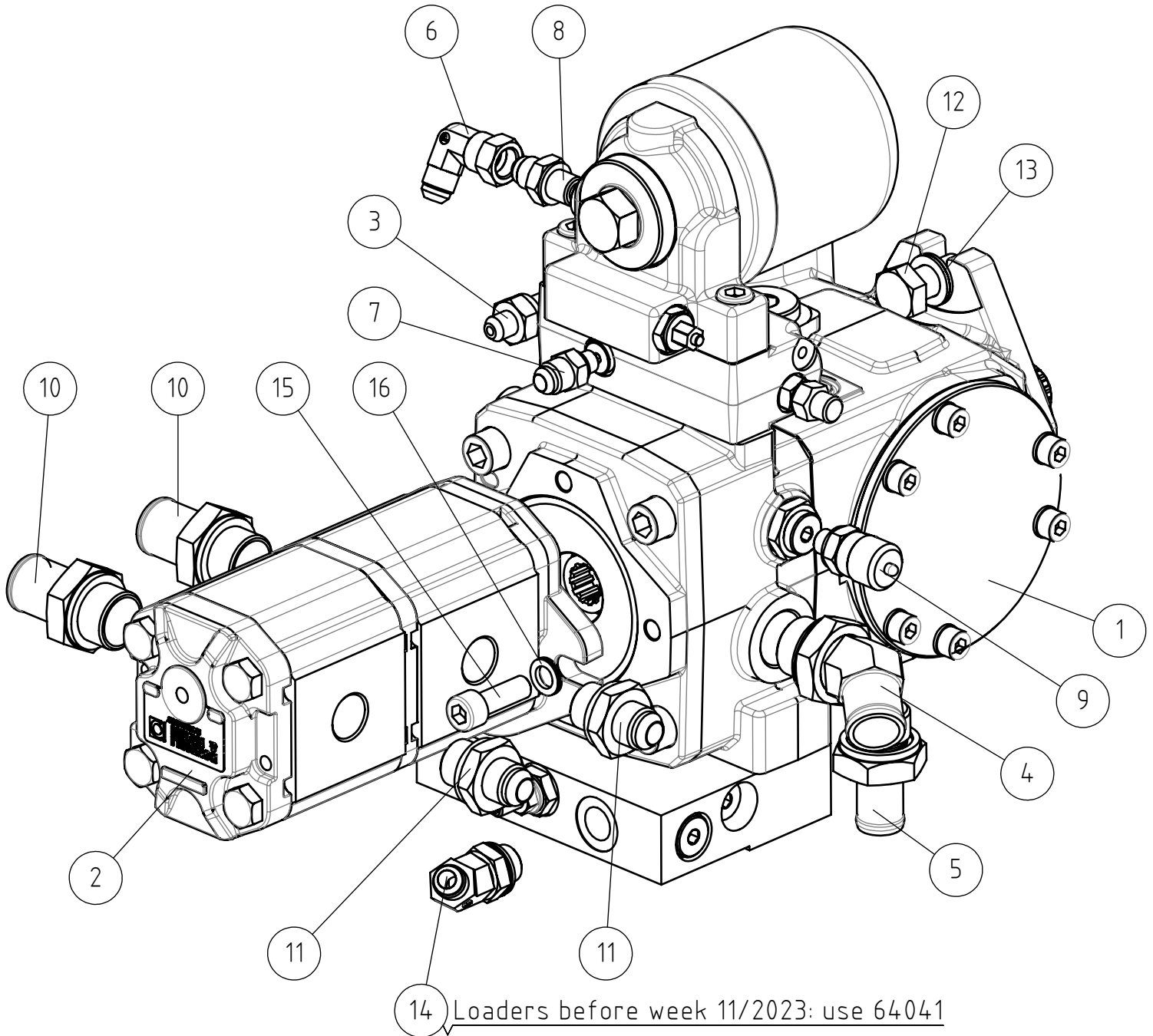
21.2.2024

A441869 MOUNTING BRACKETS ENGINE KOHLER KDI

REF	PART NO	QTY	DESCRIPTION	NOTES	PAGE
1	A426033	1	MOUNTING BRACKET REAR, ENGINE MOUNT		-
2	66512	1	ANTI VIBRATION MOUNT M16 F13/30-F13/22		-
3	A431506	1	MOUNTING BRACKET LEFT, ENGINE 860I		-
4	A430872	1	MOUNTING BRACKET RIGHT, ENGINE 860I		-
5	66381	2	ENGINE MOUNT RUBBER 60SH M12 AMC BRB		-
6	A430999	6	WASHER, PAIR, M12 NORDLOCK		-
7	74532	10	WASHER NORDLOCK NL12		-
8	74533	4	WASHER, PAIR, M16 NL16 NORDLOCK		-
9	75103	1	SPACER NORDLOCK M16 NL16SP, PAIR		-
10	75102	4	SPACER NORDLOCK M10 NL10SP, PAIR		-
11	73042	12	HEX. SCREW M12*35 DIN 933 ZN		-
12	74969	4	HEXAGONAL SCREW M16*1,5 -30 DIN961		-
13	72324	2	HEXAGONAL NUT M 12 NYLOC DIN 985		-
14	72167	2	HEXAGONAL SCREW M12*30 DIN 933		-
15	72147	4	HEXAGONAL SCREW M 10*16 DIN 933		-
16	74799	1	HEXAGONAL SCREW M16*35 DIN 933		-

21.2.2024

A429274 HYDRAULIC PUMPS ASSEMBLY 755/760 OPTIDRI



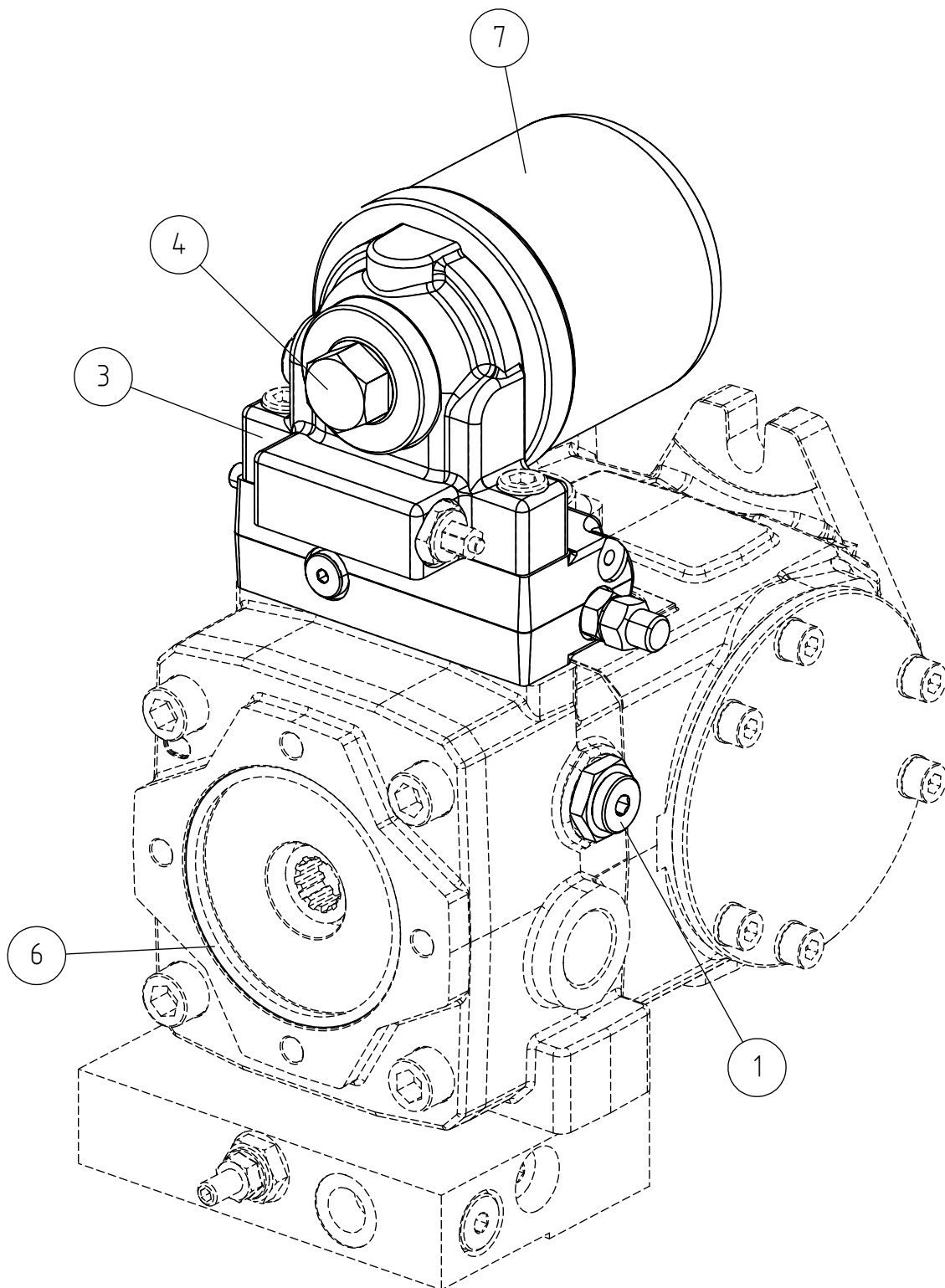
21.2.2024

A429274 HYDRAULIC PUMPS ASSEMBLY 755/760 OPTIDRI

REF	PART NO	QTY	DESCRIPTION	NOTES	PAGE
1	66355	1	VARIABLE DISPL. PUMP 755I/760I HP P4 046		68
1.1	64807	1	PRESSURE FILTER, HYDR. B&P 539047001		-
1.2	66414	1	FASTENING BOLT PRESSURE FILTER BONDIOLI		-
2	65942	1	HYDRAULIC PUMP HPLPB217/214		-
3	64678	2	BASIC FITTING F40XS6-1/4"		-
4	66362	1	HOSE BARB 45° R3/4"UK - 25MM		-
5	66427	1	HOSE BARB R3/4"UK - 20MM		-
6	64043	1	ELBOW FITTING 90° C6XS10		-
7	64346	1	BASIC FITTING F40XS10-1/8"		-
8	64059	1	BASIC FITTING F40XS10-1/4"		-
9	65559	2	MANOMETER FITTING M16*2		-
10	66107	2	HOSE BARB R3/4"UK - 25 MM L=58		-
11	64058	2	BASIC FITTING F40XS12-1/2"		-
12	74511	2	HEXAGONAL SCREW M14* 30 DIN 933		-
13	74690	2	WASHER NORDLOCK M14 NL14		-
14	65644	1	ELBOW FITTING 45° V40XS10-1/4"		-
15	74467	2	HEXAGONAL HEAD SCREW M10* 30 DIN 912		-
16	74531	2	SPACER NORDLOCK M10, PAIR		-

21.2.2024

66355 VARIABLE DISPL. PUMP 755I/760I HP P4 046



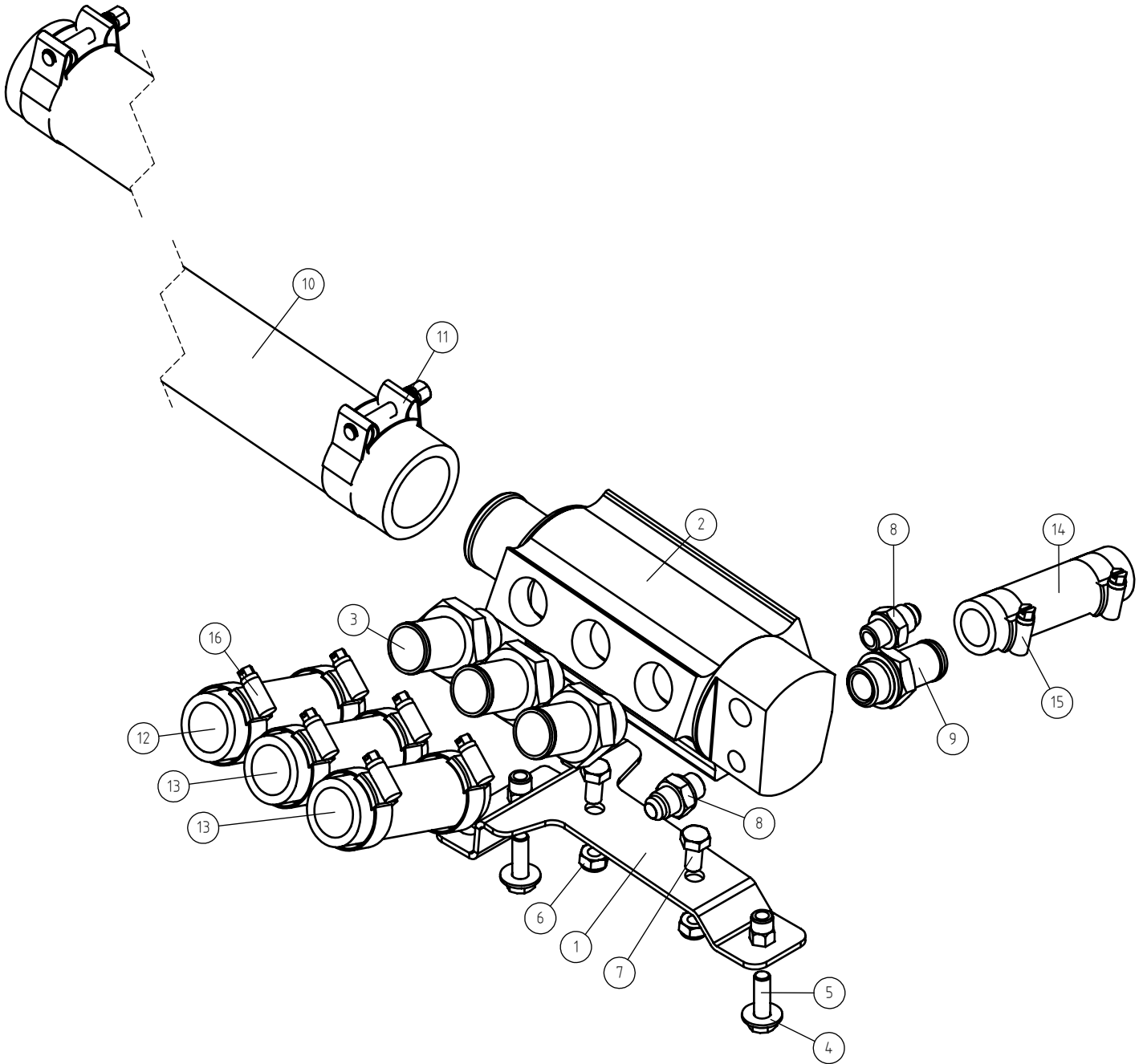
21.2.2024

66355 VARIABLE DISPL. PUMP 755I/760I HP P4 046

REF	PART NO	QTY	DESCRIPTION	NOTES	PAGE
1	A450691	2	VALVE CARTRIDGE 400BAR PRESSURE RELIEF		-
2	A451014	1	POWER LIMITER 2-WAY VARIABLE DISPL. PUMP		-
3	A451003	1	MOUNTING BRACKET PRESSURE FILTER		-
4	66414	1	FASTENING BOLT PRESSURE FILTER BONDIOLI		-
5	A451020	1	SEAL KIT VARIABLE DISPL. PUMP 66354		-
6	A442619	1	O-RING Ø 82,22X2,62 90 SH VARIABLE		-
7	64807	1	PRESSURE FILTER, HYDR. B&P 539047001		-
-	64807	1	PRESSURE FILTER, HYDR. B&P 539047001		-
-	66414	1	FASTENING BOLT PRESSURE FILTER BONDIOLI		-

21.2.2024

A37242 HYDRAULIC MANIFOLD ASSEMBLY 400-800 SER



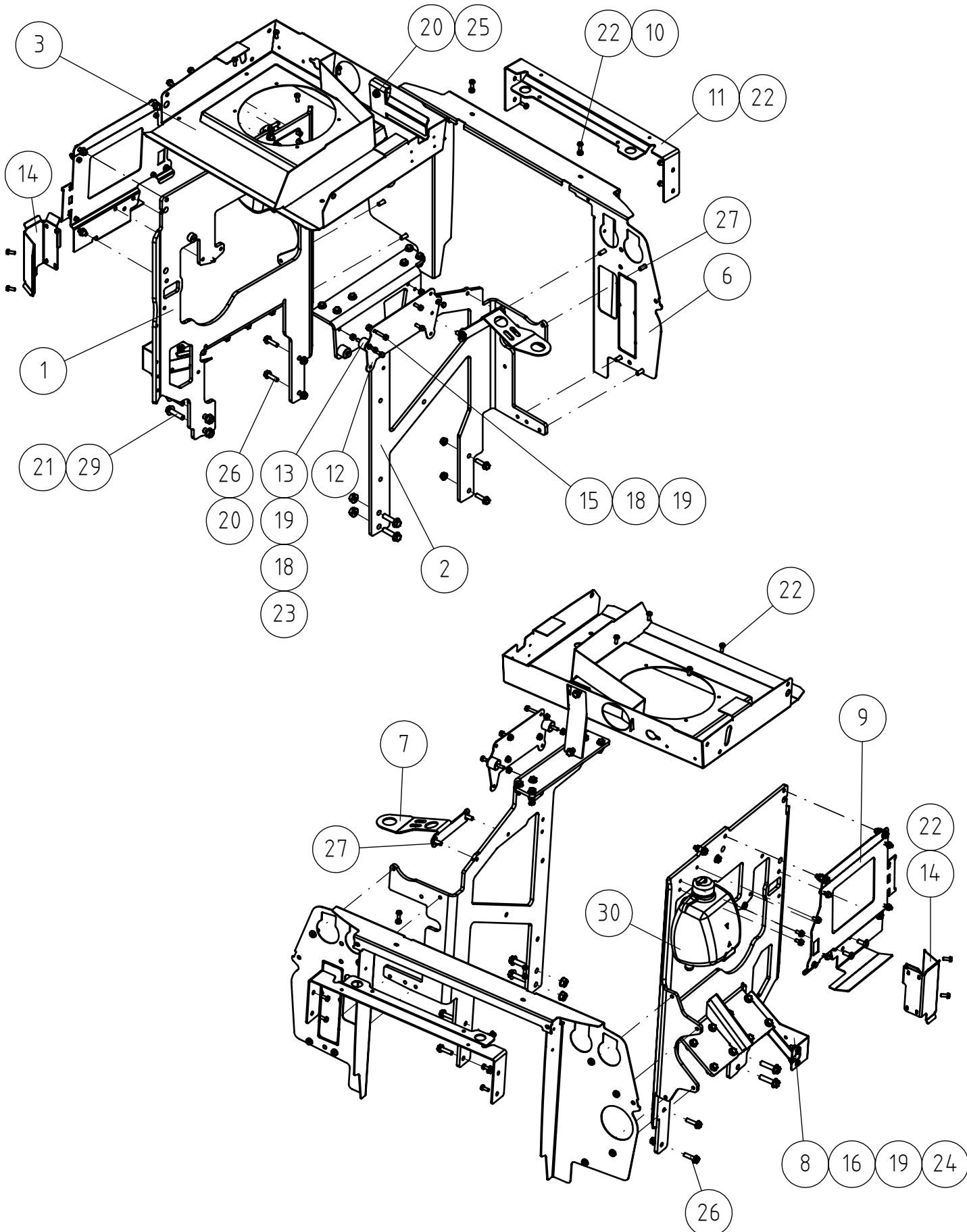
21.2.2024

A37242 HYDRAULIC MANIFOLD ASSEMBLY 400-800 SER

REF	PART NO	QTY	DESCRIPTION	NOTES	PAGE
1	A429660	1	MOUNTING BRACKET HYDRAULIC MANIFOLD		-
2	A37587	1	HYDRAULIC MANIFOLD ASSEMBLY 400-700 SER		-
3	66107	3	HOSE BARB R3/4"UK - 25 MM L=58		-
4	74525	2	WASHER M8 8,4*20*1,25 ZN		-
5	72132	2	HEXAGONAL SCREW M 8*25 DIN 933 ZN		-
6	72320	2	HEXAGONAL NUT M8 NYLOC DIN 985		-
7	73039	2	HEXAGONAL SCREW M 8*16 DIN 933 ZN		-
8	64059	2	BASIC FITTING F40XS10-1/4		-
9	66428	1	HOSE BARB R1/2"UK - 20MM		-
10	A410028	1	INLET HOSE F53/F40-440		-
11	66013	2	PIPE CLAMP POWER-FLEX S-048-		-
12	A436362	1	INLET HOSE L=600 D25 700/800 SER		-
13	A427080	2	INLET HOSE L=415 D25		-
14	A427305	1	INLET HOSE L=640 D19		-
15	73530	2	HOSE CLAMP 22-32 MM		-
16	73809	6	HOSE CLAMP 32-44 MM		-

21.2.2024

A437466 ENGINE BAY KOHLER KDI STG5 T4F 700-800



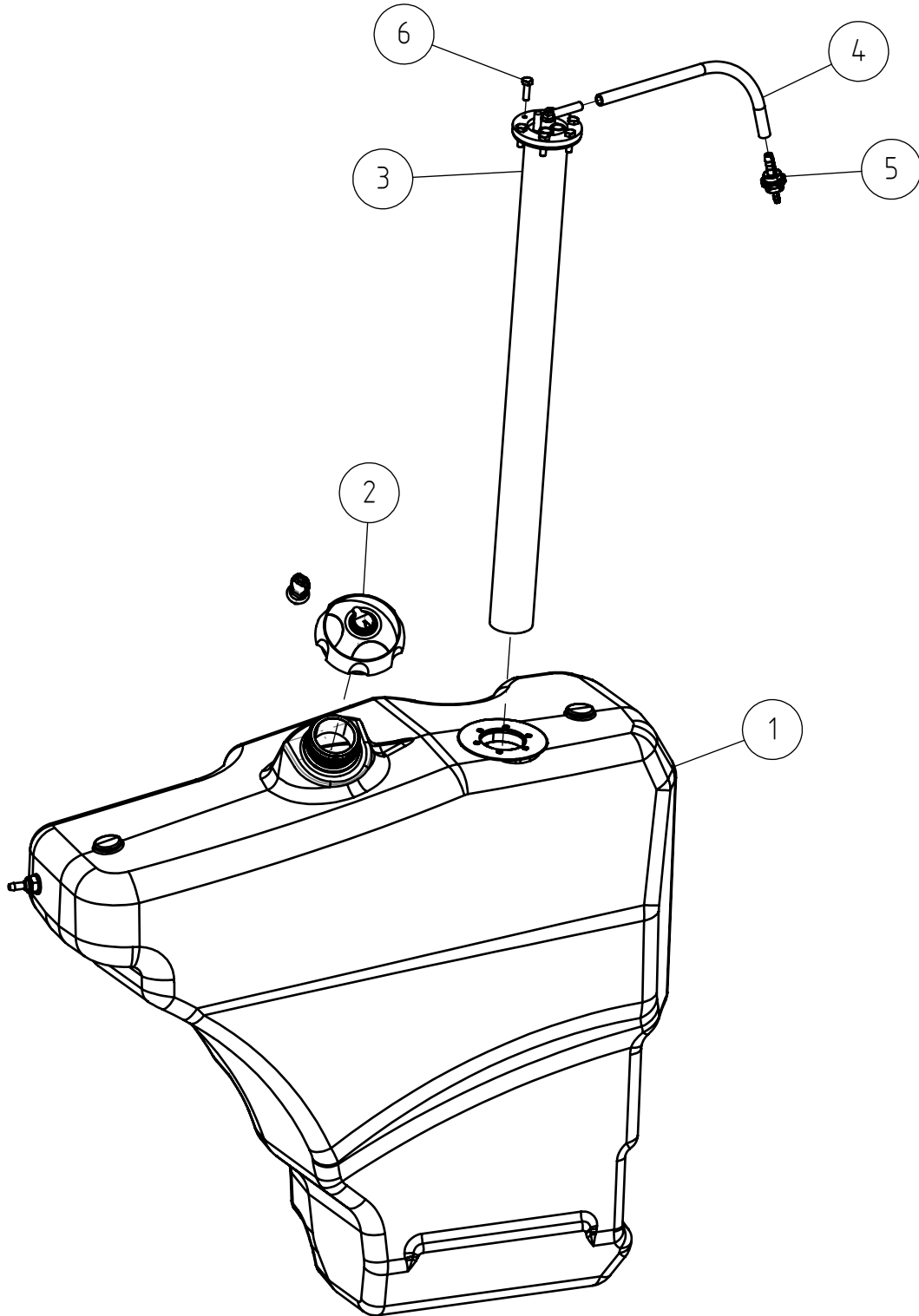
21.2.2024

A437466 ENGINE BAY KOHLER KDI STG5 T4F 700-800

REF	PART NO	QTY	DESCRIPTION	NOTES	PAGE
1	A438022	1	MOUNTING BRACKET LEFT ASSEMB 700-800 SER		-
2	A450944	1	MOUNTING BRACKET, LEFT		-
3	A435372	1	MOUNTING FRAME INTERCOOLER, ASSEMBLY		-
4	A417250	1	BRACKET		-
5	A417251	1	BRACKET, UPPER		-
6	A447575	1	COUNTER PLATE REAR GRILLE 700/800 SERIES		-
7	A437344	1	MOUNTING BRACKET FUEL TANK		-
8	A437721	1	BRACKET BATTERY DISCONNECT SWITCH		-
9	A460519	1			-
10	A413429	2	SPACER		-
11	A446715	1	BRACKET UPPER RADIATOR 700/800 SERIES		-
12	A438414	1	BRACKET ECU ENGINE KOHLER KDI STAGE 5		-
13	A437028	4	VIBRATION DAMPER M6		-
14	A460484	1			-
15	73199	4	HEXAGONAL SCREW M6*30 DIN 933		-
16	74768	2	WASHER CONICAL M6		-
17	71880	4	HEXAGONAL HEAD SCREW M 6*25 DIN 912 2		-
18	74530	8	WASHER NORDLOCK NL6		-
19	74781	15	HEXAGONAL NUT M6 WITH FLANGE		-
20	74782	23	HEXAGONAL NUT M8 WITH FLANGE		-
21	74783	4	HEXAGONAL NUT M10 WITH FLANGE		-
22	75129	12	THREAD-FORMING SCREW M6*16 DIN 7500C		-
23	75161	4	HEXAGONAL SCREW M6*10 DIN 933		-
24	A426199	2	CROSS-SLOT COUNTRS. HEAD SCREW M6*25		-
25	A429202	21	HEXAGONAL SERRATED SCREW M8*25 WITH FLAN		-
26	A429203	4	HEXAGONAL SERRATED SCREW M8*30 WITH		-
27	A435496	13	THREAD-FORMING SCREW M8*20 DIN 7500C		-
28	A431968	4	HEXAGONAL SERRATED SCREW M6*12 WITH		-
29	A432192	4	HEXAGONAL SERRATED SCREW M10*40 W. FLANG		-
30	A457565	1			-
31	A462373	1			-

21.2.2024

A436129 FUEL TANK ASSEMBLY 66L



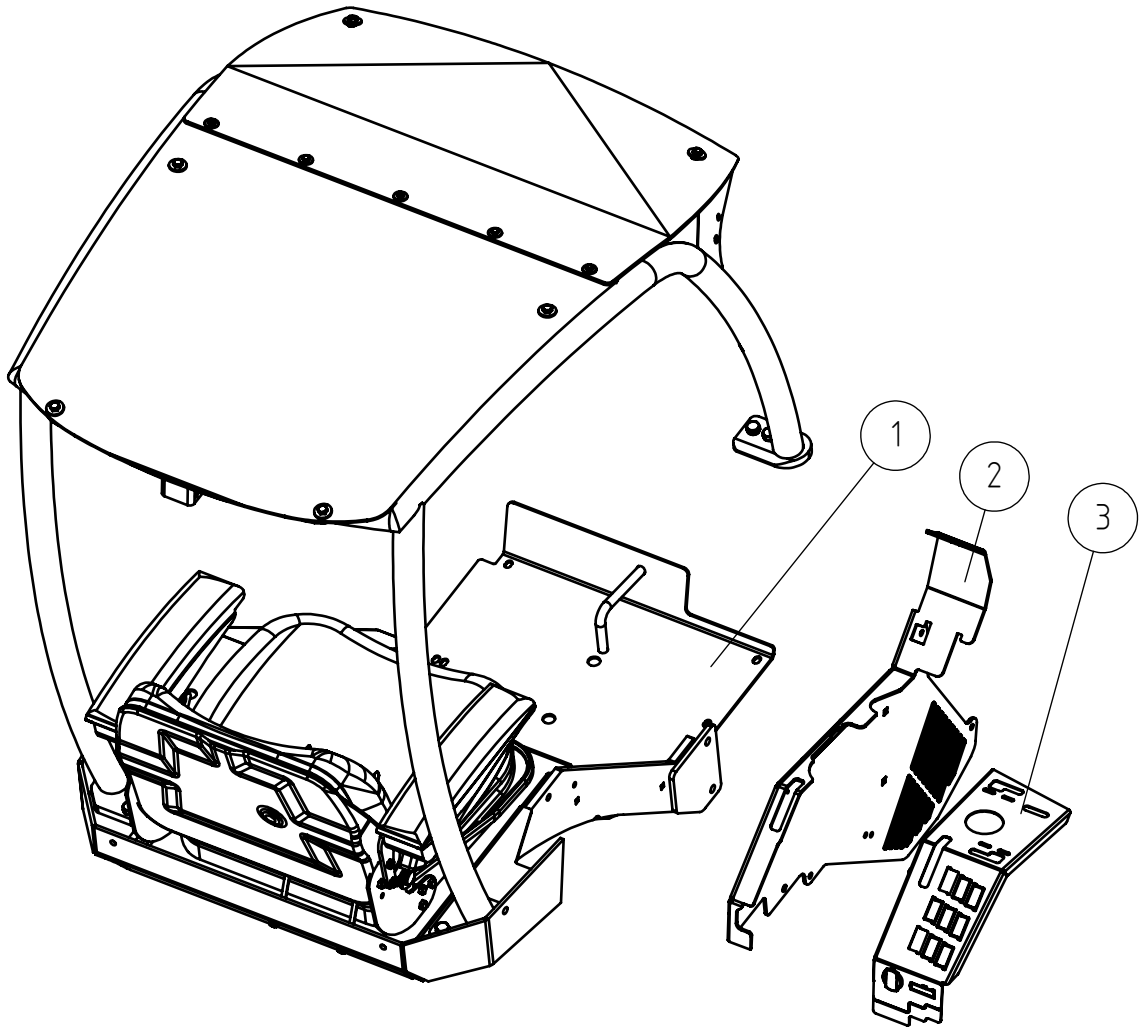
21.2.2024

A436129 FUEL TANK ASSEMBLY 66L

REF	PART NO	QTY	DESCRIPTION	NOTES	PAGE
1	A436127	1	FUEL TANK 66 LITRES		-
2	A410521	1	FUEL TANK CAP, LOCKABLE		-
3	A436296	1	SENSOR FUEL GAUGE		-
4	A422532	1	FUEL HOSE L=350		-
5	A422526	1	CHECK VALVE FUEL TANK		-
6	72118	6	HEXAGONAL SCREW M6*20 DIN 933		-

21.2.2024

A452130 ROPS CAB ASSEMBLY 500-700 SERIES



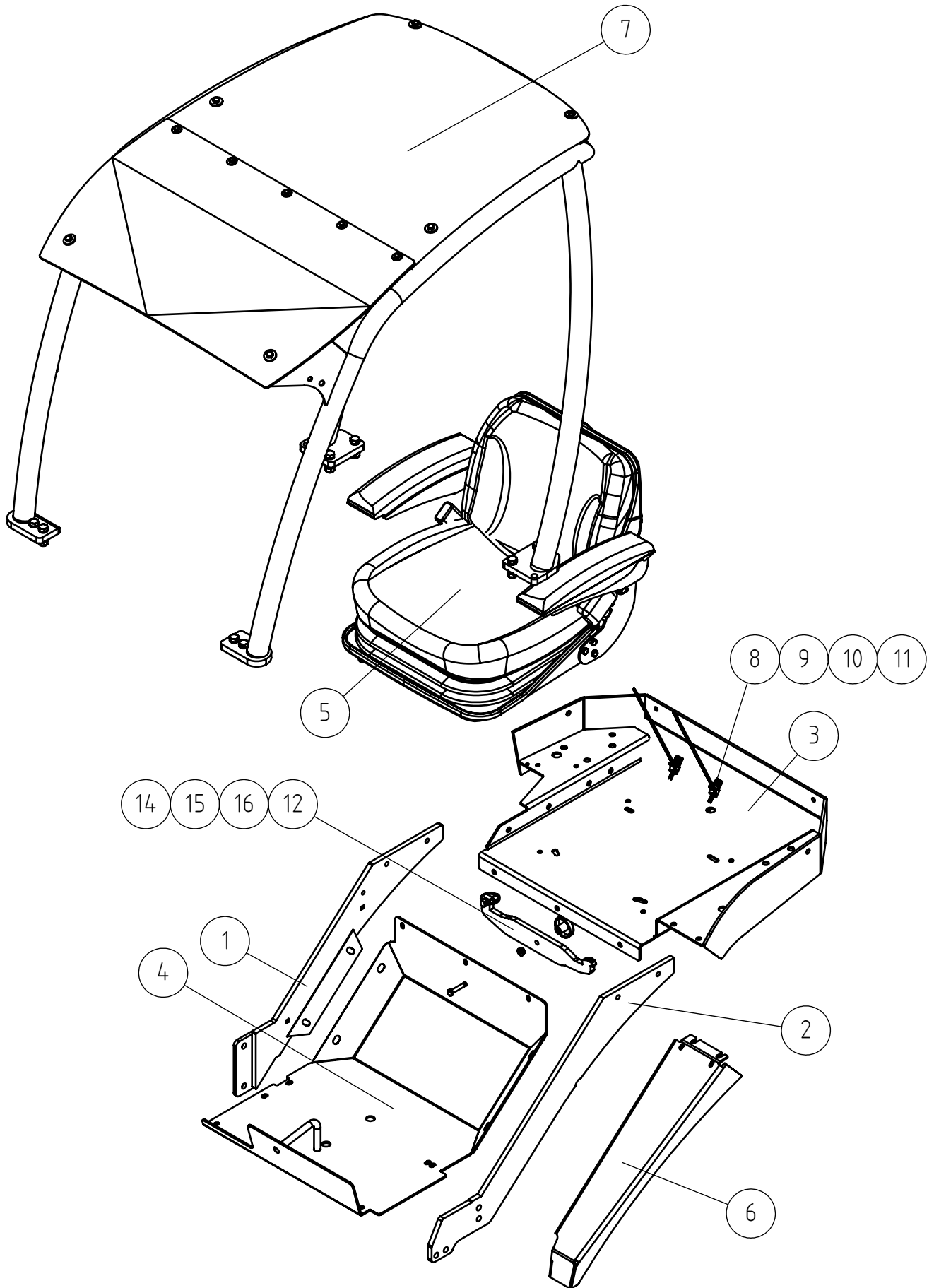
21.2.2024

A452130 ROPS CAB ASSEMBLY 500-700 SERIES

REF	PART NO	QTY	DESCRIPTION	NOTES	PAGE
1	A452129	1	ROPS CAB 500-700 SERIES		78
2	A438092	1	MOUNTING PLATE CONTROL VALVE HDS16		-
3	A439987	1	INSTRUMENT PANEL WITH DECAL 700 / 800		82

21.2.2024

A452129 ROPS CAB 500-700 SERIES



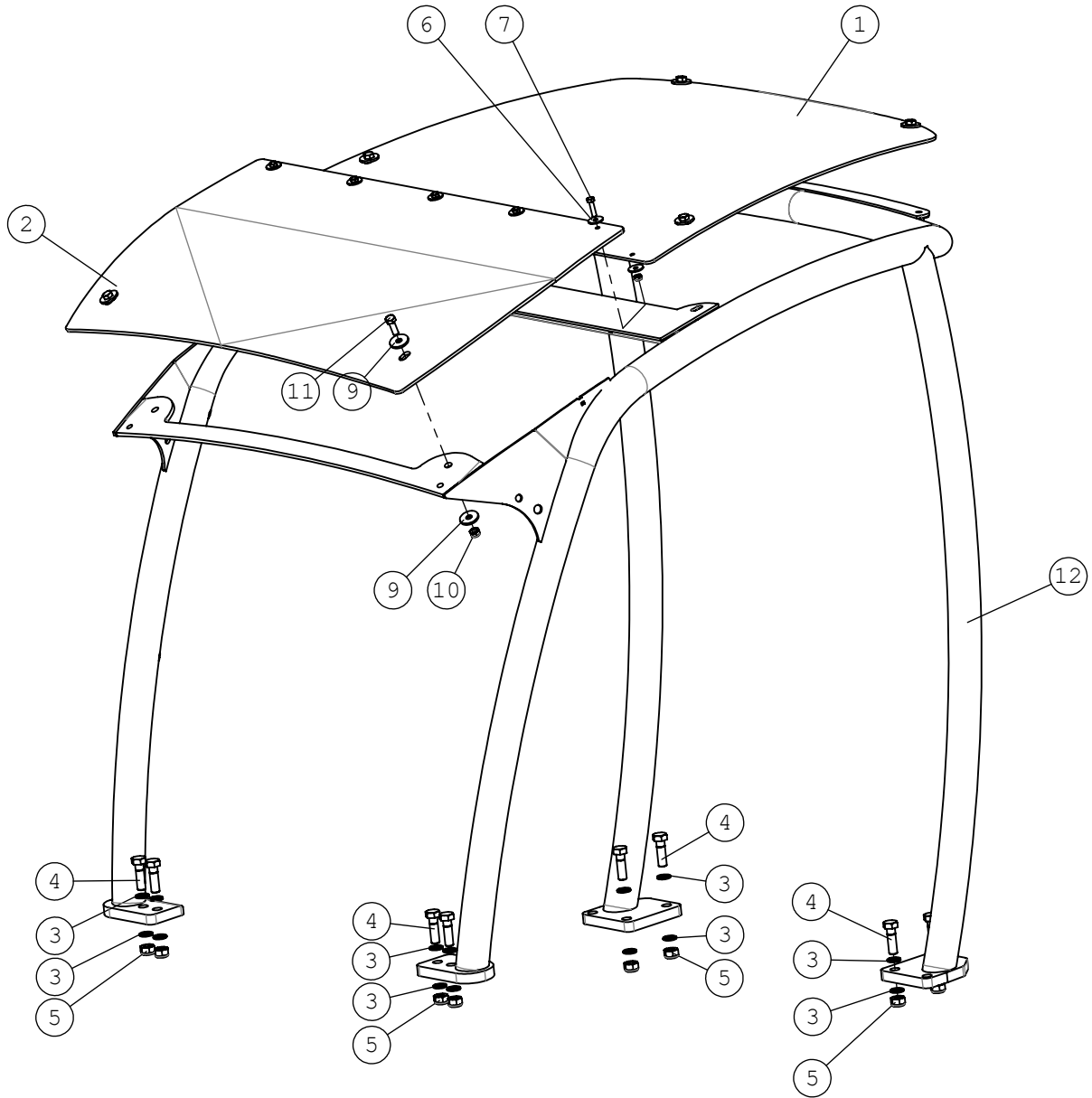
21.2.2024

A452129 ROPS CAB 500-700 SERIES

REF	PART NO	QTY	DESCRIPTION	NOTES	PAGE
1	A47389	1	BAR, RIGHT		-
2	A47834	1	BAR, LEFT		-
3	A48246	1	SEAT BASE		-
4	A47399	1	FLOOR PLATE		-
5	66155	1	SEAT FULL SUSPENSION HEATER OP MANUAL BOX		-
5.1	A435848	1	SEAT RAILS, PAIR		-
5.2	65726	1	SEAT CUSHION, BLACK, WITH HEATER		-
5.3	64816	1	ARMRESTS, PAIR, SUSPENSION SEAT ACC980		-
5.4	66375	1	SEAT BELT WITH MICROSWITCH		-
6	A47531	1	EDGE PLATE		-
7	A49119	1	ROPS FRAME WITH FOPS CANOPY, 600/700 SER		80
8	74767	2	RAISED COUNTERSUNK HEAD SCREW M6*20		-
9	74768	2	WASHER CONICAL M6		-
10	74781	2	HEXAGONAL NUT M6 WITH FLANGE		-
11	A442639	2	CABLE TIE 7,6*390 M6 BLACK		-
12	A410307	1	FRAME LOCK		-
13	71727	1	LINCH PIN 9,5 MM		-
14	73222	1	HEXAGONAL SCREW M8*40 DIN 933		-
15	74782	1	HEXAGONAL NUT M8 WITH FLANGE		-
16	64188	1	FINGER SCREW R5026M8S		-

21.2.2024

A49119 ROPS FRAME WITH FOPS CANOPY, 600/700 SER



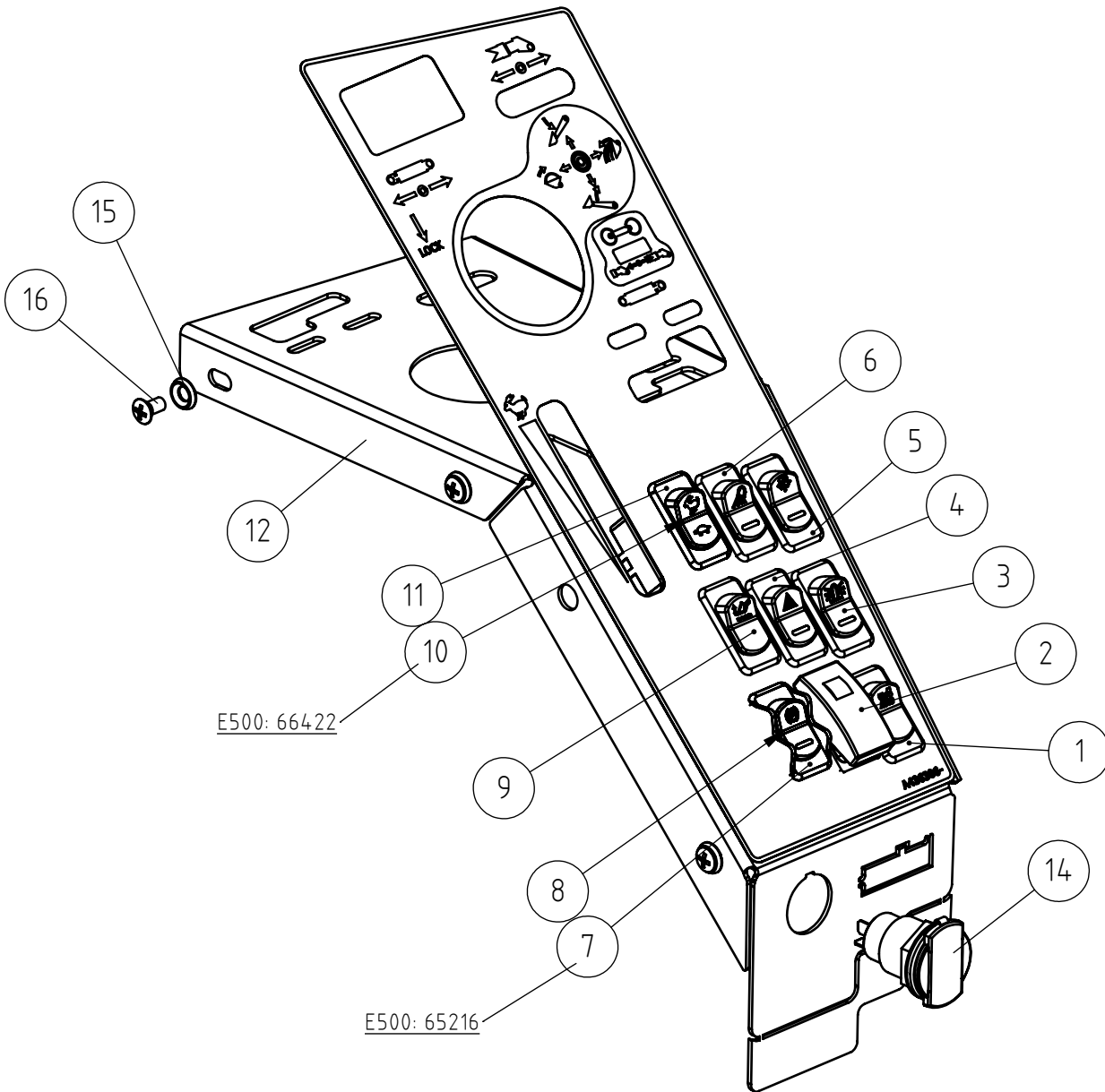
21.2.2024

A49119 ROPS FRAME WITH FOPS CANOPY, 600/700 SER

REF	PART NO	QTY	DESCRIPTION	NOTES	PAGE
1	A48905	1	FOPS CANOPY PLATE 500/600/700		-
2	A48909	1	CANOPY, SHORT, POLYCARBONATE (WITH FOPS)		-
3	74532	16	WASHER NORDLOCK NL12		-
4	73322	8	HEXAGONAL SCREW M12*40 DIN 931		-
5	72324	8	HEXAGONAL NUT M 12 NYLOC DIN 985		-
6	71681	10	WASHER M6 DIN 440		-
7	72119	5	HEXAGONAL SCREW M6*25 DIN 933 ZN		-
8	72318	5	HEXAGONAL NUT M 6 DIN 985 NYLOC		-
9	71685	12	WASHER M8 R9 DIN 440 ZN		-
10	72320	6	HEXAGONAL NUT M8 NYLOC DIN 985		-
11	72132	6	HEXAGONAL SCREW M 8*25 DIN 933 ZN		-
12	A33920	1	ROPS FRAME 1090 MM 600/700 SERIES		-

21.2.2024

A439987 INSTRUMENT PANEL WITH DECAL 700 / 800



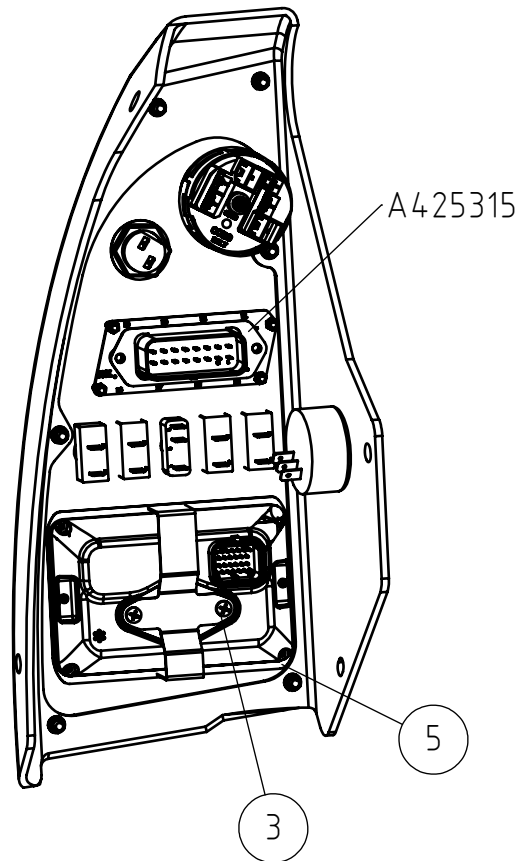
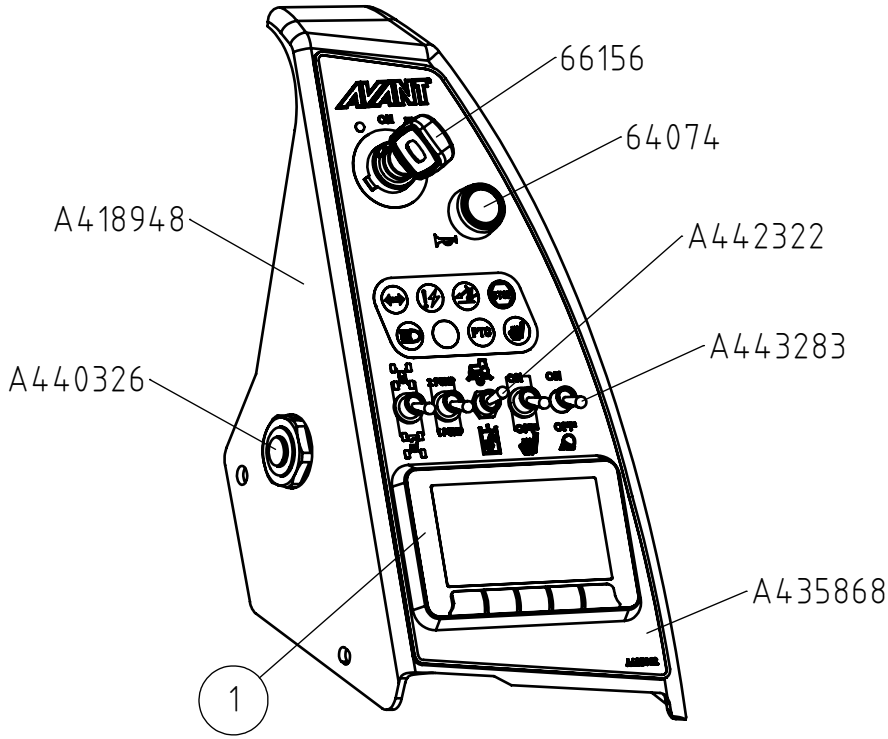
21.2.2024

A439987 INSTRUMENT PANEL WITH DECAL 700 / 800

REF	PART NO	QTY	DESCRIPTION	NOTES	PAGE
1	A437343	1	ROCKER SWITCH OPTICONTROL		-
2	A430996	1	CONTROL SWITCH, HYDR ATTACHMENT COUPLING		-
3	65065	1	SWITCH, BEACON		-
4	65064	1	SWITCH, WARNING BLINKER		-
5	65063	1	SWITCH, WIPER/WASHER		-
6	65066	1	SWITCH, WORK LIGHT		-
7	65216	1	SWITCH, PARKING BRAKE		-
8	A442040	1	SWITCH PARKING BRAKE		-
9	A437190	1	SWITCH SMOOTH DRIVE		-
10	66422	1	SWITCH SLOW-FAST (TURTLE-RABBIT)		-
11	65246	1	SWITCH, DRIVE SPEED AREA (TURTLE-RABBIT)		-
12	A431454	1	PANEL 800 SERIES		-
13	A436386	1	DECAL INSTRUMENT PANEL 800 SERIES		-
14	A436424	1	OUTLET 12V/20A WITH COVER		-
15	74768	3	WASHER CONICAL M6		-
16	75162	3	CROSS HEAD COUNTERS SCREW M6*12		-

21.2.2024

A435860 DASHBOARD ASSEMBLY 700-800 ROPS



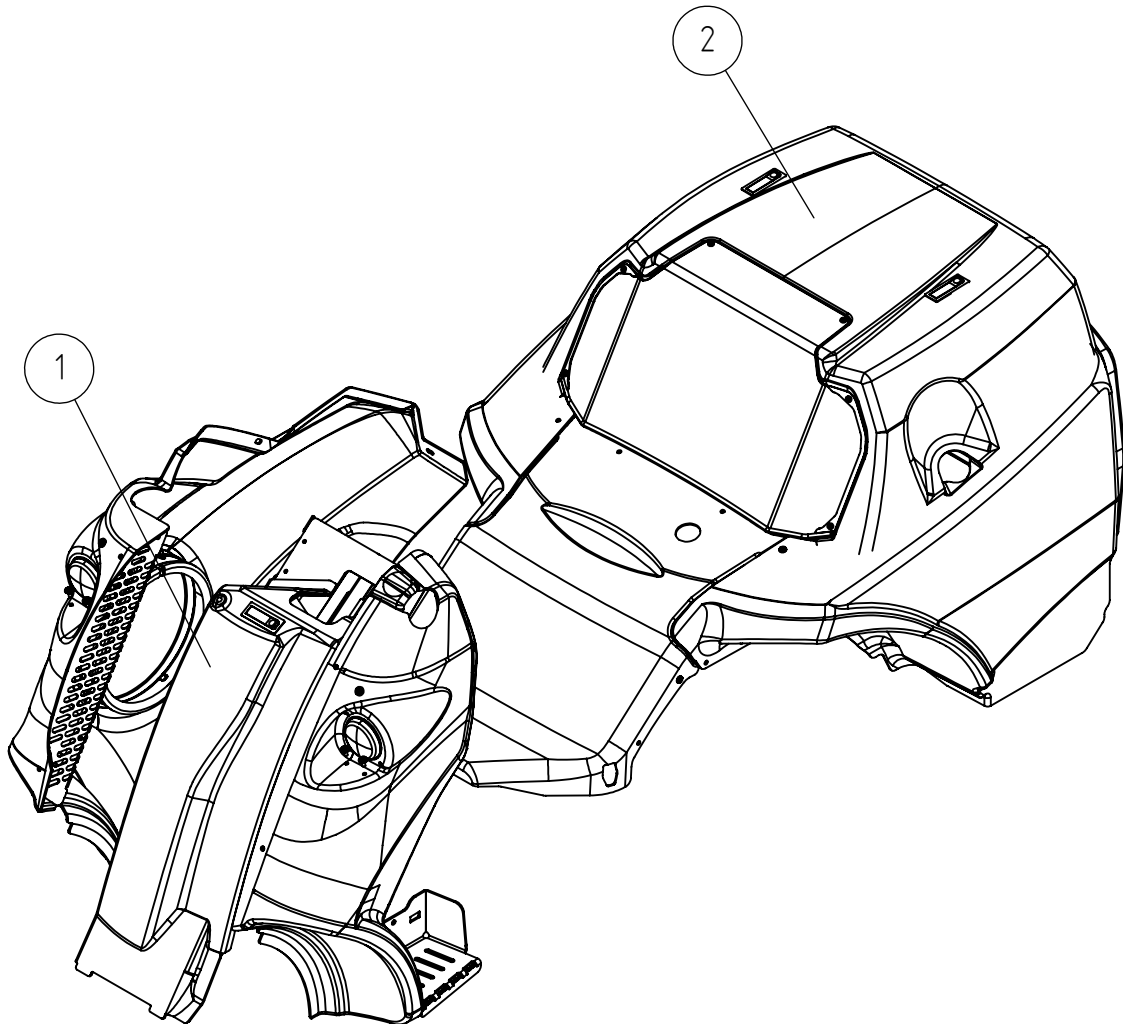
21.2.2024

A435860 DASHBOARD ASSEMBLY 700-800 ROPS

REF	PART NO	QTY	DESCRIPTION	NOTES	PAGE
1	A428466	1	DISPLAY 4,3" COLOUR LED		-
2	A456497	1	DASHBOARD WITHOUT DISPLAY 523...8601		-
2.1	A436098	1	WIRE HARNESS DASHBOARD		-
2.2	A425315	1	INDICATOR LIGHTS DASHBOARD		-
2.3	A440326	1	ALARM BEEPER D28,5/D45 -H47		-
2.4	A418948	1	HOUSING PANEL ABS DASHBOARD		-
2.5	66156	1	IGNITION SWITCH 12V/30A/60A IP65 COBO		-
2.6	A442322	1	ROCKER SWITCH ON-OFF-MOM 3-POLE		-
2.7	A443283	4	TOGGLE SWITCH ON-OFF 2-POLE		-
2.8	64074	1	PUSH BUTTON F22,5 SIGNAL HORN		-
2.9	A435868	1	COVER DASHBOARD 700-800 STAGE 5		-
3	A431502	2	PAN HEAD MACHINE SCREW M4*8		-
4	A423587	1	MOUNTING PLATE DISPLAY		-
5	A436780	1	GROUNDING FRAME CANVIEW4 GAUGE PANEL		-

21.2.2024

A451115 COVER PLATES KIT, ABS 700 SERIES ROPS



21.2.2024

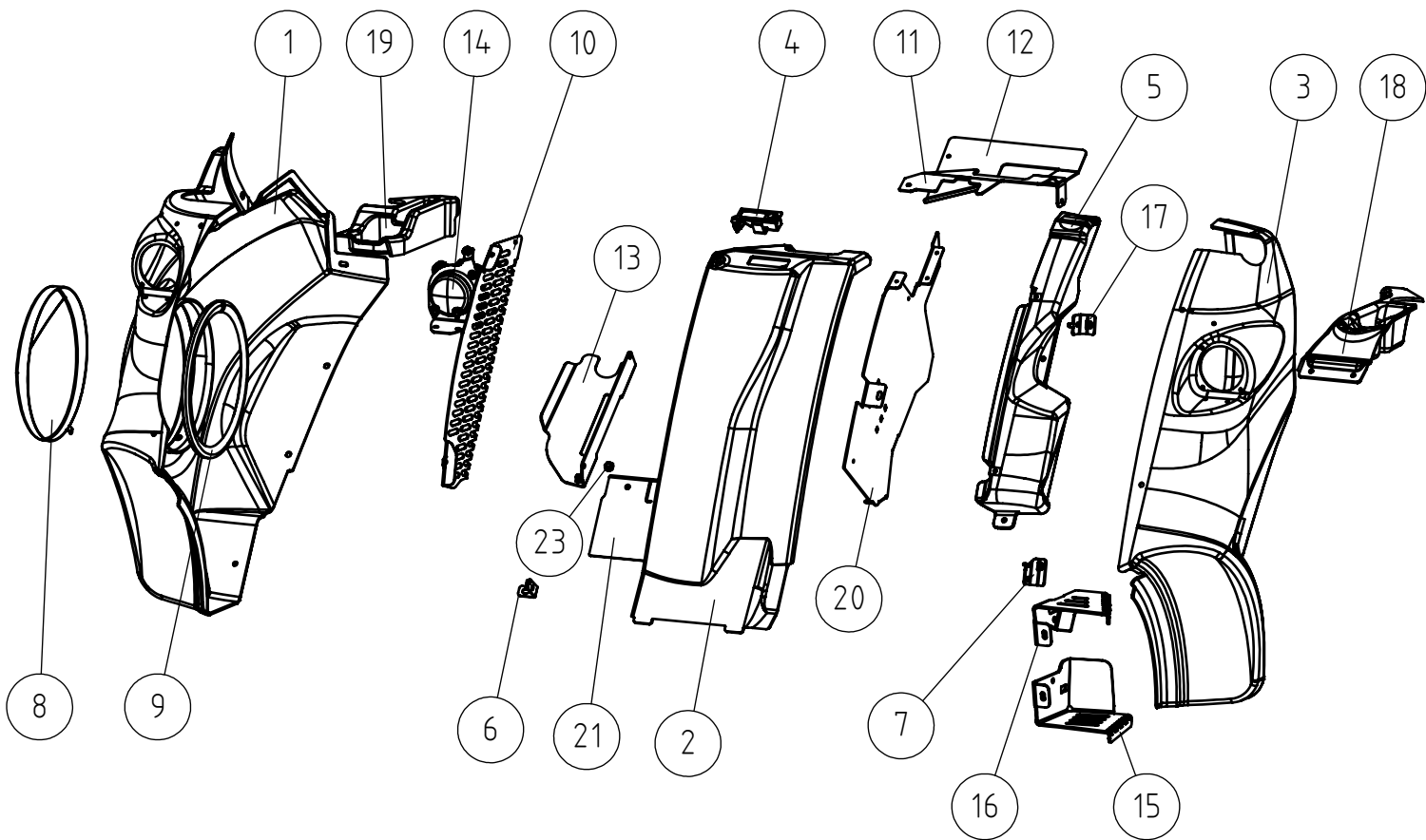
A451115 COVER PLATES KIT, ABS 700 SERIES ROPS

REF	PART NO	QTY	DESCRIPTION	NOTES	PAGE
1*	A446265	1	COVER PLATES FRONT FRAME ABS 500-700	ABS, ROPS	88
1**	A447754	1	COVER PLATES FRONT FRAME POLYCARBONATE	PC/HD, optional extra	90
1***	A446009	1	COVER PLATES ABS FRONT FRAME CAB GT	ABS, GT	92
2****	A442266	1	COVER PLATES ABS, KIT, REAR FRAME	ABS	98
2**	A445553	1	COVER PLATES REAR FRAME HD POLYCARBONATE	PC/HD, optional extra	100
2*****	A437518	1	MUDGUARDS REAR 700/800 STAGE 5	Mud guards	102

21.2.2024

ABS, ROPS

A446265 COVER PLATES FRONT FRAME ABS 500-700



21.2.2024

ABS, ROPS

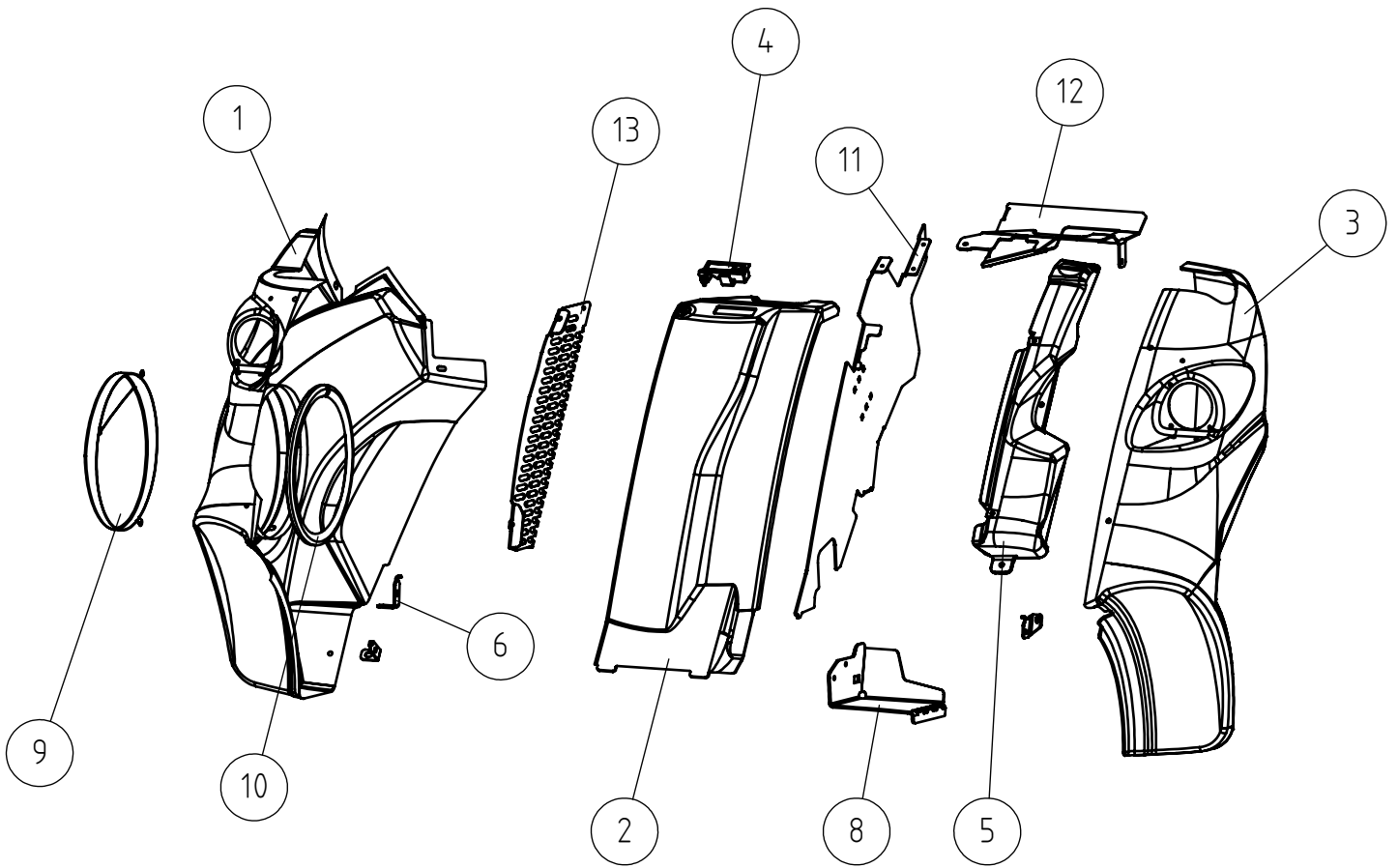
A446265 COVER PLATES FRONT FRAME ABS 500-700

REF	PART NO	QTY	DESCRIPTION	NOTES	PAGE
1	A446215	1	COVER PLATE FRONT RIGHT ABS 500-700		-
2	A445993	1	COVER PLATE FRONT ABS ROPS / GT 500-700		-
3	A446305	1	COVER PLATE FRONT LEFT ABS 500-700		-
4	65085	1	LATCH		-
5	A446048	1	MOUNTING BRACKET COVER PLATE FRONT LEFT		-
6	A446422	1	MOUNTING BRACKET SHORT COVER PLATE		-
7	A450748	1	MOUNTING BRACKET LEFT COVER PLATE		-
8	A431524	1	MESH HYDRAULIC OIL COOLER		-
9	A438435	1	EDGE BANDING, FAN 800 SERIES		-
10	A446221	1	MOUNTING BRACKET COVER PLATE FRONT RIGHT		-
11	A450610	1	MOUNTING BRACKET COVER PLATE FRONT		-
12	A445628	1	MOUNTING BRACKET COVER PLATE FRONT		-
13	A454142	1	MOUNTING BRACKET COVER PLATE FRONT RIGHT		-
14	A450770	1	WORK LIGHTS LED ON FRONT COVERS ASSEMBLY		96
15	A450071	1	STEP, MACHINE WITH ROPS		-
16	A450093	1	STEP, MACHINE WITH ROPS		-
17	A451440	1	MOUNTING BRACKET LEFT COVER PLATE		-
18	A434360	1	CUP HOLDER, LEFT		-
19	A431510	1	CUP HOLDER, RIGHT		-
20	A452905	1	SIDE PLATE		-
21	A452862	1	COVER PLATE DRIVE PEDALS AND ORBITROL		-
22	75069	2	COUPLING NUT M8 DIN 6334		-
23	A429197	2	HEXAGONAL SERRATED SCREW M8*12 W. FLANGE		-

21.2.2024

PC/HD, optional extra

A447754 COVER PLATES FRONT FRAME POLYCARBONATE



21.2.2024

PC/HD, optional extra

A447754 COVER PLATES FRONT FRAME POLYCARBONATE

REF	PART NO	QTY	DESCRIPTION	NOTES	PAGE
1	A447753	1	COVER PLATE FRONT RIGHT POLYCARBONATE		-
2	A447751	1	COVER PLATE FRONT POLYKARBONAT ROPS / GT		-
3	A447752	1	COVER PLATE FRONT LEFT POLYCARBONATE		-
4	65085	1	LATCH		-
5	A446048	1	MOUNTING BRACKET COVER PLATE FRONT LEFT		-
6	A446422	2	MOUNTING BRACKET SHORT COVER PLATE		-
7	A446430	1	MOUNTING BRACKET LEFT COVER PLATE		-
8	A446412	1	STEP		-
9	A431524	1	MESH HYDRAULIC OIL COOLER		-
10	A438435	1	EDGE BANDING, FAN 800 SERIES		-
11	A445910	1	SIDE PLATE FRONT FRAME RIGHT 500-700		-
12	A445913	1	MOUNTING PLATE UPPER		-
13	A446221	1	MOUNTING BRACKET COVER PLATE FRONT RIGHT		-

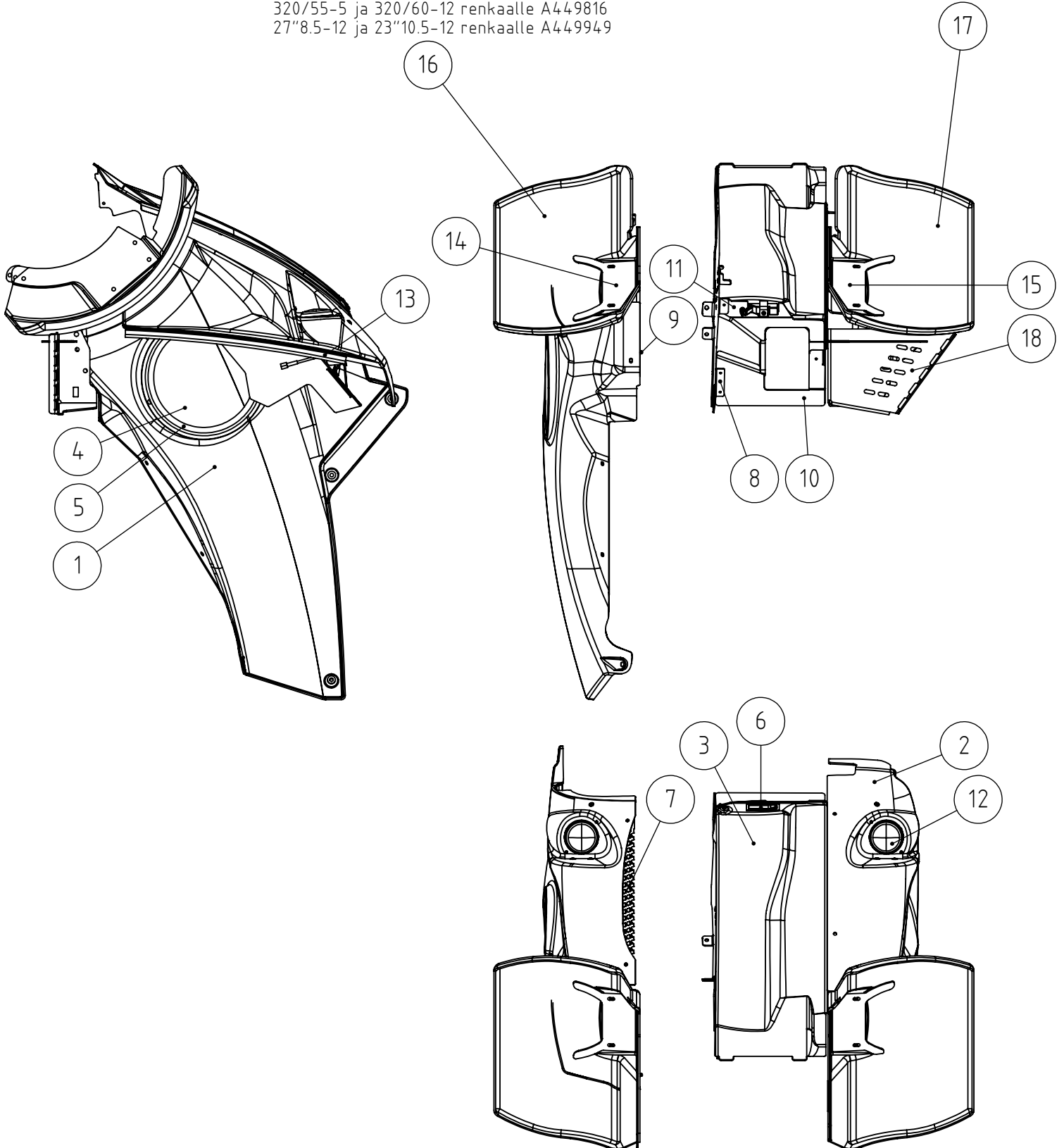
21.2.2024

ABS, GT

A446009 COVER PLATES ABS FRONT FRAME CAB GT

400/50-15 renkaalle
320/55-5 ja 320/60-12 renkaalle A449816
27"8.5-12 ja 23"10.5-12 renkaalle A449949

400/50-15 renkaalle
320/55-5 ja 320/60-12 renkaalle A449817
27"8.5-12 ja 23"10.5-12 renkaalle A449950



21.2.2024

ABS, GT

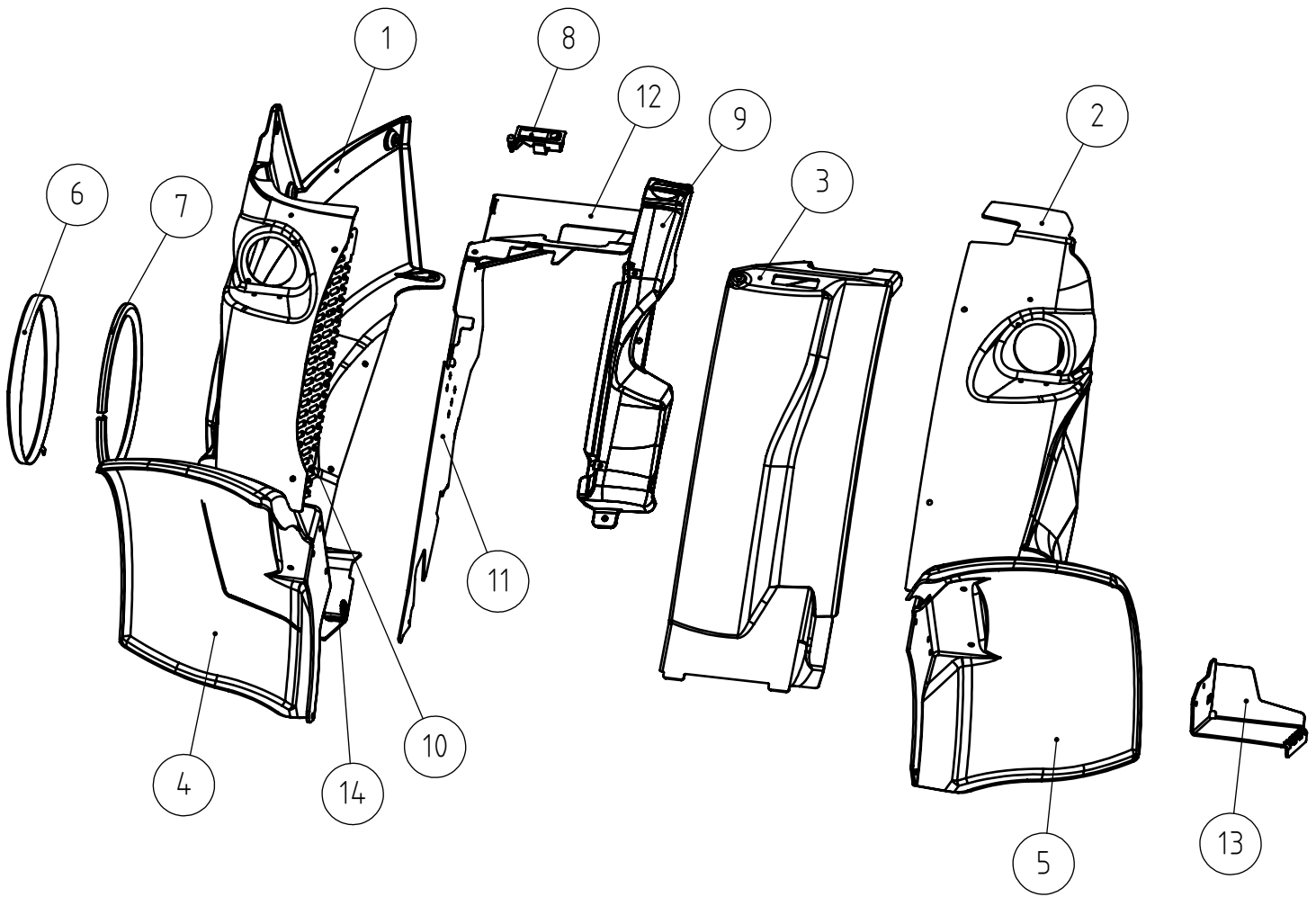
A446009 COVER PLATES ABS FRONT FRAME CAB GT

REF	PART NO	QTY	DESCRIPTION	NOTES	PAGE
1	A446515	1	COVER PLATE FRONT RIGHT ABS CAB GT		-
2	A445992	1	COVER PLATE FRONT LEFT ABS CAB GT		-
3	A445993	1	COVER PLATE FRONT ABS ROPS / GT 500-700		-
4	A431524	1	MESH HYDRAULIC OIL COOLER		-
5	A438435	1	EDGE BANDING, FAN 800 SERIES		-
6	65085	1	LATCH		-
7	A446221	1	MOUNTING BRACKET COVER PLATE FRONT RIGHT		-
8	A445910	1	SIDE PLATE FRONT FRAME RIGHT 500-700		-
9	A446440	1	MOUNTING BRACKET LOWER COVER PLATE FRONT		-
10	A445628	1	MOUNTING BRACKET COVER PLATE FRONT		-
11	A450610	1	MOUNTING BRACKET COVER PLATE FRONT		-
12	A450770	1	WORK LIGHTS LED ON FRONT COVERS ASSEMBLY		96
13	A439852	1	FLIPPER GASKET SINGLE RUBBER L=620 COVER		-
14	A420823	1	BRACKET RIGHT MUDGUARD		-
15	A420824	1	BRACKET LEFT MUDGUARD		-
16	A420821	1	MUDGUARD, FRONT, RIGHT 700 SER 400/50-15		-
17	A420822	1	MUDGUARD, FRONT, LEFT 700 SER 400/50-15		-
18	A451536	1	STEP CAB GT		-

21.2.2024

PC/HD (optional extra)

A447757 COVER PLATES HD POLYCARBONATE FRONT



21.2.2024

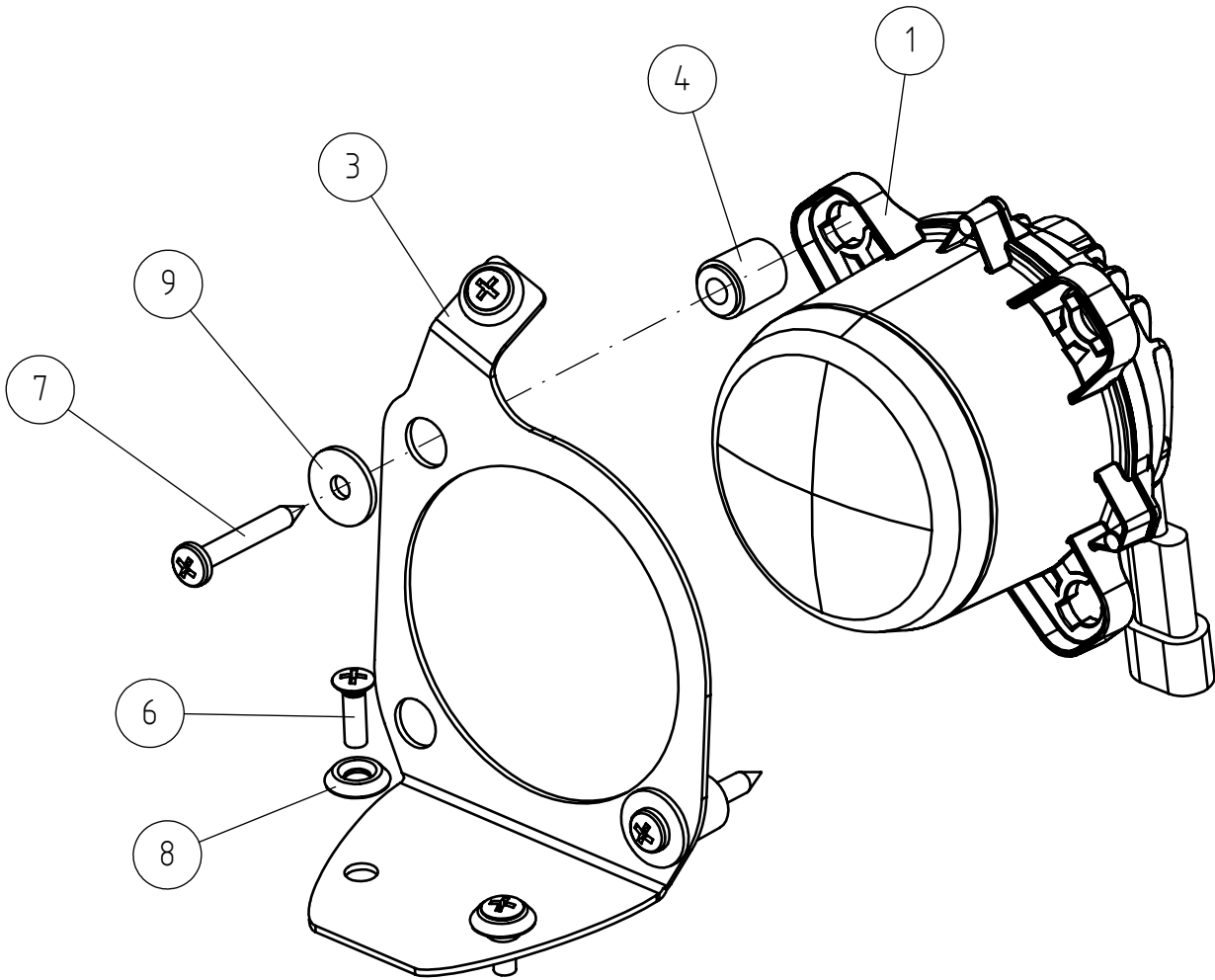
PC/HD (optional extra)

A447757 COVER PLATES HD POLYCARBONATE FRONT

REF	PART NO	QTY	DESCRIPTION	NOTES	PAGE
1	A447750	1	COVER PLATE POLYCARB FRONT RIGHT CAB GT		-
2	A447748	1	COVER PLATE POLYCARB FRONT LEFT CAB GT		-
3	A447751	1	COVER PLATE FRONT POLYKARBONAT ROPS / GT		-
4	A420821	1	MUDGUARD, FRONT, RIGHT 700 SER 400/50-15		-
5	A420822	1	MUDGUARD, FRONT, LEFT 700 SER 400/50-15		-
6	A431524	1	MESH HYDRAULIC OIL COOLER		-
7	A438435	1	EDGE BANDING, FAN 800 SERIES		-
8	65085	1	LATCH		-
9	A446048	2	MOUNTING BRACKET COVER PLATE FRONT LEFT		-
10	A446221	1	MOUNTING BRACKET COVER PLATE FRONT RIGHT		-
11	A445910	1	SIDE PLATE FRONT FRAME RIGHT 500-700		-
12	A445913	1	MOUNTING PLATE UPPER		-
13	A446412	1	STEP		-
14	A446440	1	MOUNTING BRACKET LOWER COVER PLATE FRONT		-

21.2.2024

A450770 WORK LIGHTS LED ON FRONT COVERS ASSEMBLY



21.2.2024

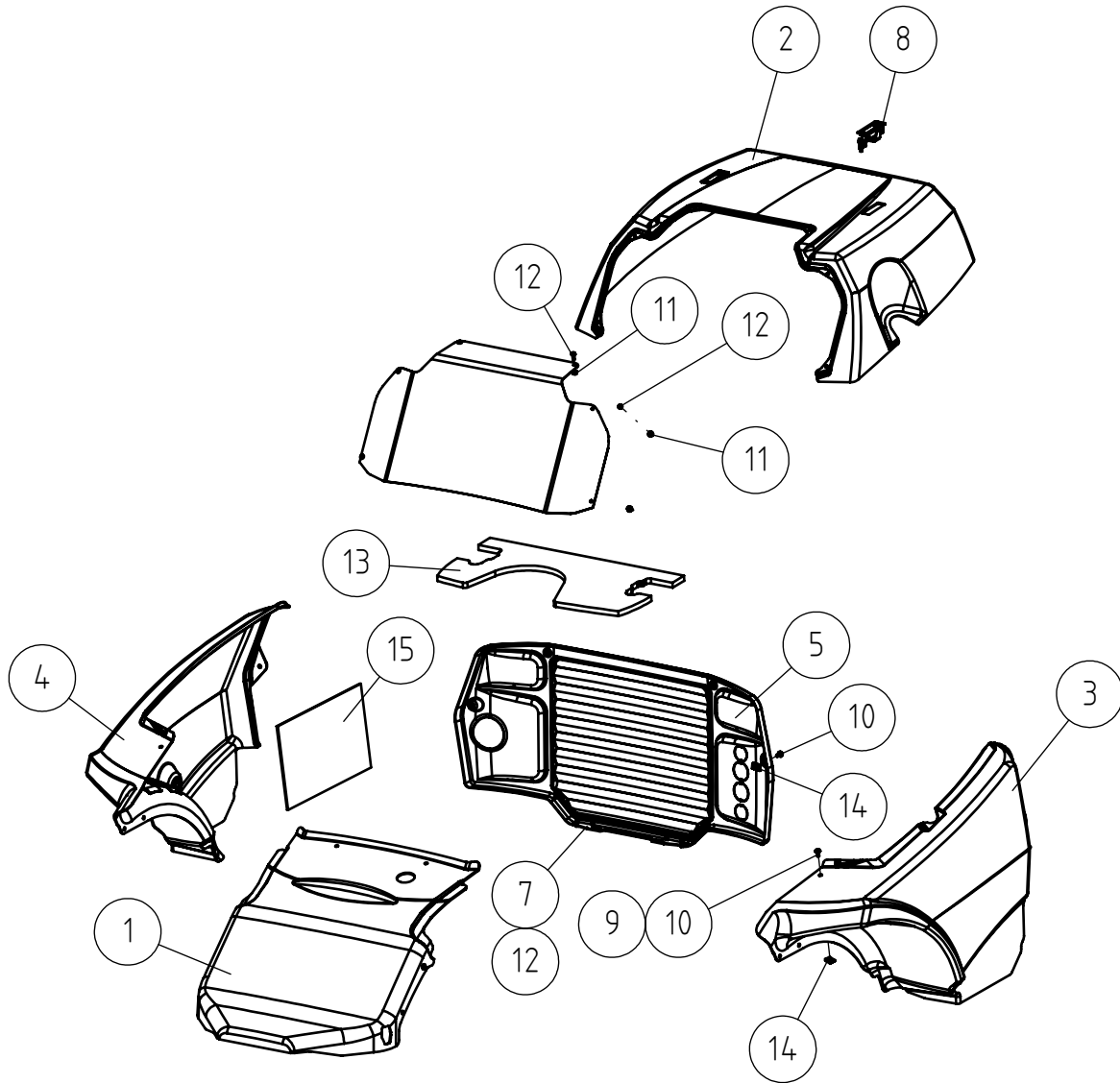
A450770 WORK LIGHTS LED ON FRONT COVERS ASSEMBLY

REF	PART NO	QTY	DESCRIPTION	NOTES	PAGE
1	A441777	2	WORK LIGHT LED 1000 LUMEN 12V		-
2	A450528	1	MOUNTING BRACKET RIGHT WORK LIGHT LED		-
3	A450553	1	MOUNTING BRACKET LEFT WORK LIGHT LED		-
4	A450763	4	BUSHING FRONT LIGHT		-
5	A436960	1	WIRE HARNESS WORK LIGHTS FRONT		-
6	74767	6	RAISED COUNTERSUNK HEAD SCREW M6*20		-
7	A461980	4	SCREW 6X45		-
8	A422221	6	WASHER M6 GREEN PLASTIC, ANALOG FOR		-
9	71681	4	WASHER M6 DIN 440		-

21.2.2024

ABS

A442266 COVER PLATES ABS, KIT, REAR FRAME



21.2.2024

ABS

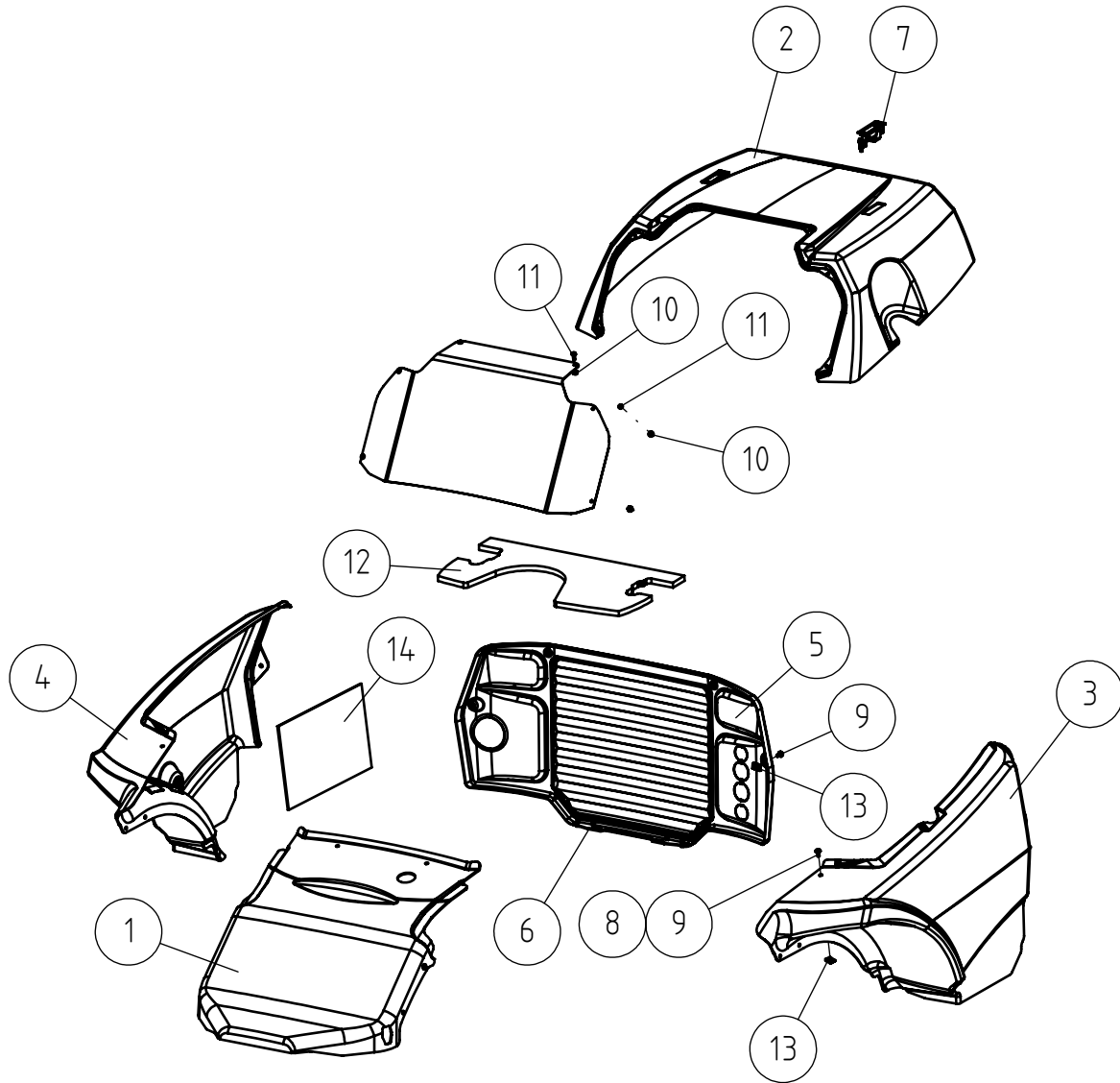
A442266 COVER PLATES ABS, KIT, REAR FRAME

REF	PART NO	QTY	DESCRIPTION	NOTES	PAGE
1	A442264	1	COVER PLATE REAR CENTER FRONT ABS		-
2	A436436	1	COVER PLATE ENGINE, ABS, 800 STAGE V		-
3	A442294	1	COVER PLATE REAR LEFT ABS, 800 STAGE 5		-
4	A442263	1	COVER PLATE REAR RIGHT ABS, 800 STAGE 5		-
5	A437378	1	REAR GRILLE WITHOUT LIGHTS 700/800		-
6	A437107	1	FRONT MESH, COVER PLATE ENGINE 700/800		-
7	A446673	1	MOUNTING PLATE REAR GRILLE 700/800		-
8	65085	2	LATCH		-
9	74768	3	WASHER CONICAL M6		-
10	74767	3	RAISED COUNTERSUNK HEAD SCREW M6*20		-
11	74781	6	HEXAGONAL NUT M6 WITH FLANGE		-
12	A437544	10	THREAD-FORMING SCREW BLACK M6*16 DIN		-
13	A418781	1	SEALING PLATE		-
14	74807	3	SPEED NUT M6, FOR 0.5-4.0 MM PLATE		-
15	A439798	1	HEAT SHIELD ON REAR COVER PLATE 700/800		-

21.2.2024

PC/HD, optional extra

A44553 COVER PLATES REAR FRAME HD POLYCARBONATE



21.2.2024

PC/HD, optional extra

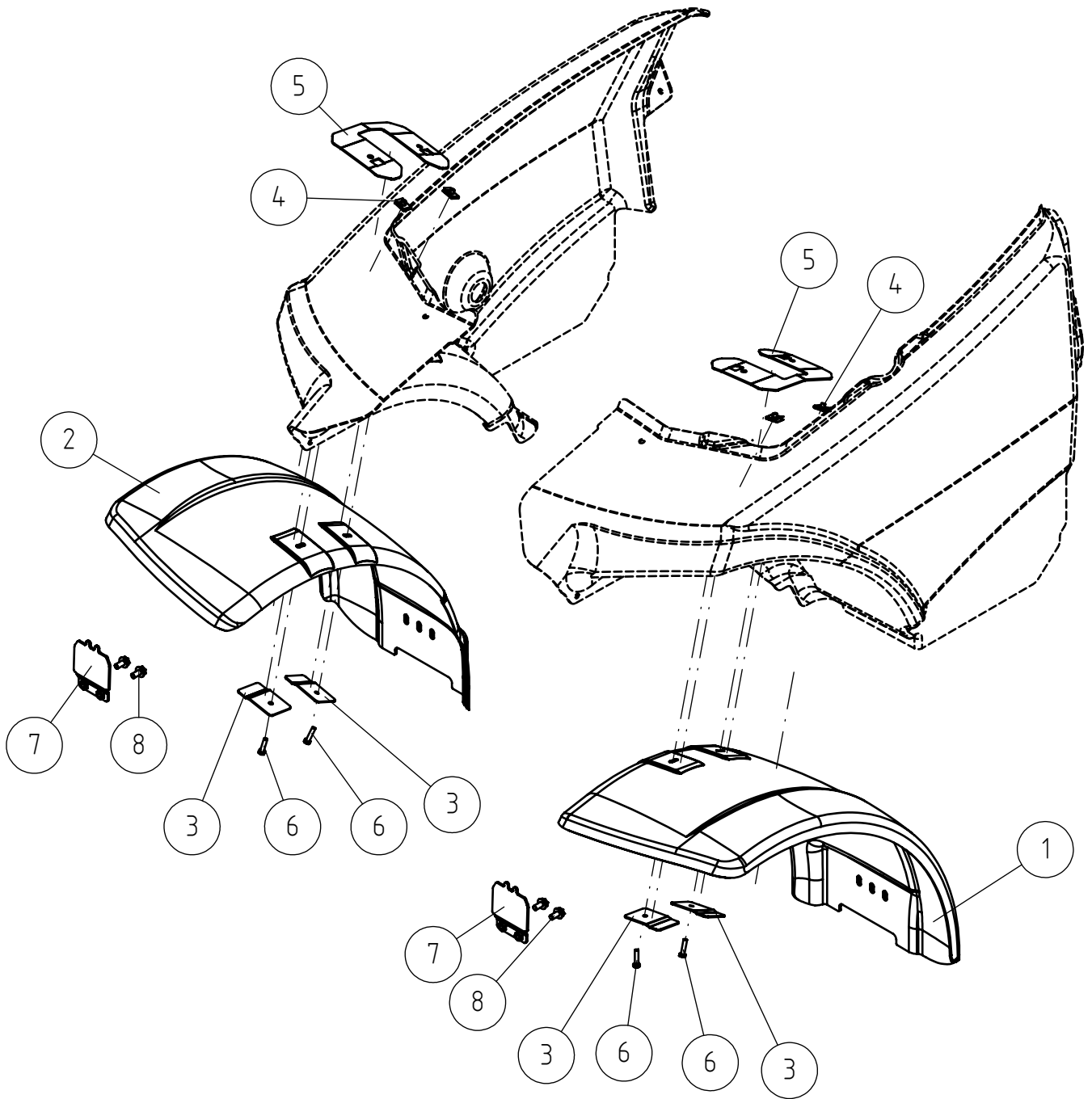
A445553 COVER PLATES REAR FRAME HD POLYCARBONATE

REF	PART NO	QTY	DESCRIPTION	NOTES	PAGE
1	A442264	1	COVER PLATE REAR CENTER FRONT ABS		-
2	A438567	1	COVER PLATE ENGINE, POLYCARBONATE,		-
3	A444585	1	COVER PLATE REAR LEFT POLYCARBONATE		-
4	A444586	1	COVER PLATE REAR RIGHT POLYCARBONATE		-
5	A437378	1	REAR GRILLE WITHOUT LIGHTS 700/800		-
6	A446673	1	MOUNTING PLATE REAR GRILLE 700/800		-
7	65085	2	LATCH		-
8	74768	3	WASHER CONICAL M6		-
9	74767	3	RAISED COUNTERSUNK HEAD SCREW M6*20		-
10	74781	6	HEXAGONAL NUT M6 WITH FLANGE		-
11	A437544	10	THREAD-FORMING SCREW BLACK M6*16 DIN		-
12	A418781	1	SEALING PLATE		-
13	74807	3	SPEED NUT M6, FOR 0.5-4.0 MM PLATE		-
14	A439798	1	HEAT SHIELD ON REAR COVER PLATE 700/800		-
15	A437107	1	FRONT MESH, COVER PLATE ENGINE 700/800		-

21.2.2024

Mud guards

A437518 MUDGUARDS REAR 700/800 STAGE 5



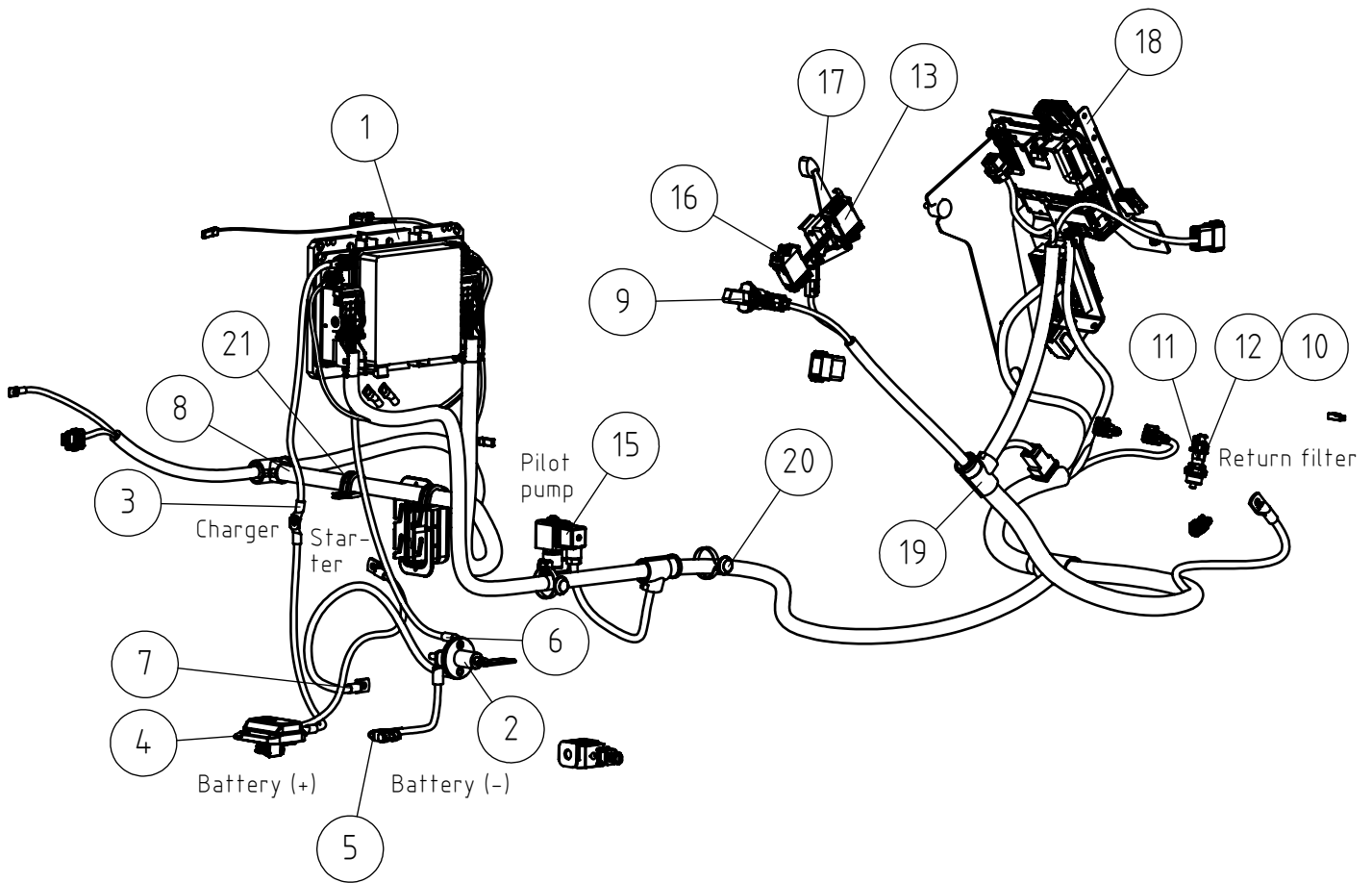
21.2.2024

Mud guards

A437518 MUDGUARDS REAR 700/800 STAGE 5

REF	PART NO	QTY	DESCRIPTION	NOTES	PAGE
1	A436419	1	MUDGUARD REAR LEFT, 800 STAGE V		-
2	A436597	1	MUDGUARD REAR RIGHT, 800 STAGE V		-
3	A437485	4	MOUNTING PLATE REAR MUDGUARD		-
4	74807	4	SPEED NUT M6, FOR 0.5-4.0 MM PLATE		-
5	A438480	2	MOUNTING BRACKET MUDGUARD		-
6	72119	4	HEXAGONAL SCREW M6*25 DIN 933 ZN		-
7	A446663	2	MOUNTING BRACKET MUDGUARD REAR		-
8	A429200	4	HEXAGONAL SERRATED SCREW M8*16 WITH		-

A453581 ELECTRIC COMPONENTS 760I



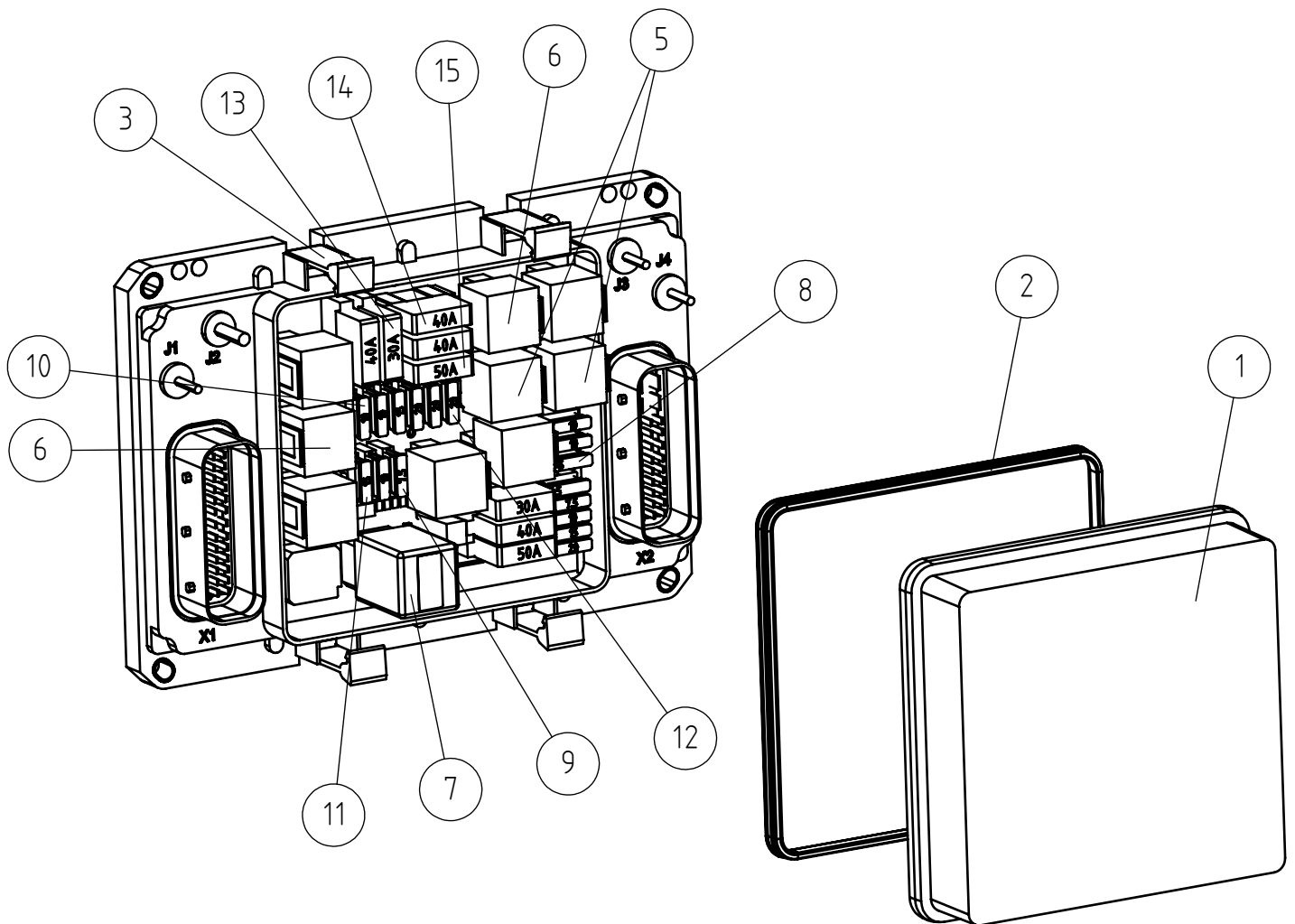
21.2.2024

A453581 ELECTRIC COMPONENTS 760I

REF	PART NO	QTY	DESCRIPTION	NOTES	PAGE
1	A436657	1	POWER DISTRIBUTION UNIT 755I/760I/860I		106
2	64141	1	BATTERY DISCONNECT SWITCH 28V/100A		-
2.1	64394	1	KEY, BATTERY DISCONNECT SWITCH C-180216		-
3	A438440	1	CABLE, RED, L=500 25MM2		-
4	A437903	1	BATTERY TERMINAL WITH 2 WIRES + FUSE		-
4.1	A437905	1	FUSE 100A 70V		-
5	65071	1	CABLE, BATTERY, BLACK, L=280		-
6	A437906	1	CABLE, BLACK, L=460 25MM2		-
7	A437910	1	CABLE, BLACK, L=530 35MM2		-
8	A433633	1	WIRE HARNESS 760I/860I		-
9	A436424	1	OUTLET 12V/20A WITH COVER		-
10	73047	1	USIT SEAL RING R/12"		-
11	A433798	1	TEMPERATURE SENSOR TF-W		-
12	A438517	1	FITTING G1/2" => M12*1,5		-
13	65246	1	SWITCH, DRIVE SPEED AREA (TURTLE-RABBIT)		-
14	A436960	1	WIRE HARNESS WORK LIGHTS FRONT		-
15	66475	1	BLOCKING VALVE 12V		-
15.1	A451126	1	SOLENOID 12VDC / 14W		-
16	A442040	1	SWITCH PARKING BRAKE		-
17	A452987	1	THROTTLE LEVER ASSEMBLY		-
18	A453565	1	VECU & FUSE BOXES ON MOUNTING BRACKET		108
19	A449142	1	WIRE HARNESS FRONT PART 700/800 STAGE V		-
20	A449992	2	CABLE TIE 7,6*375		-
21	74573	2	PIPE CLAMP F25 MM		-

21.2.2024

A436657 POWER DISTRIBUTION UNIT 755I/760I/860I



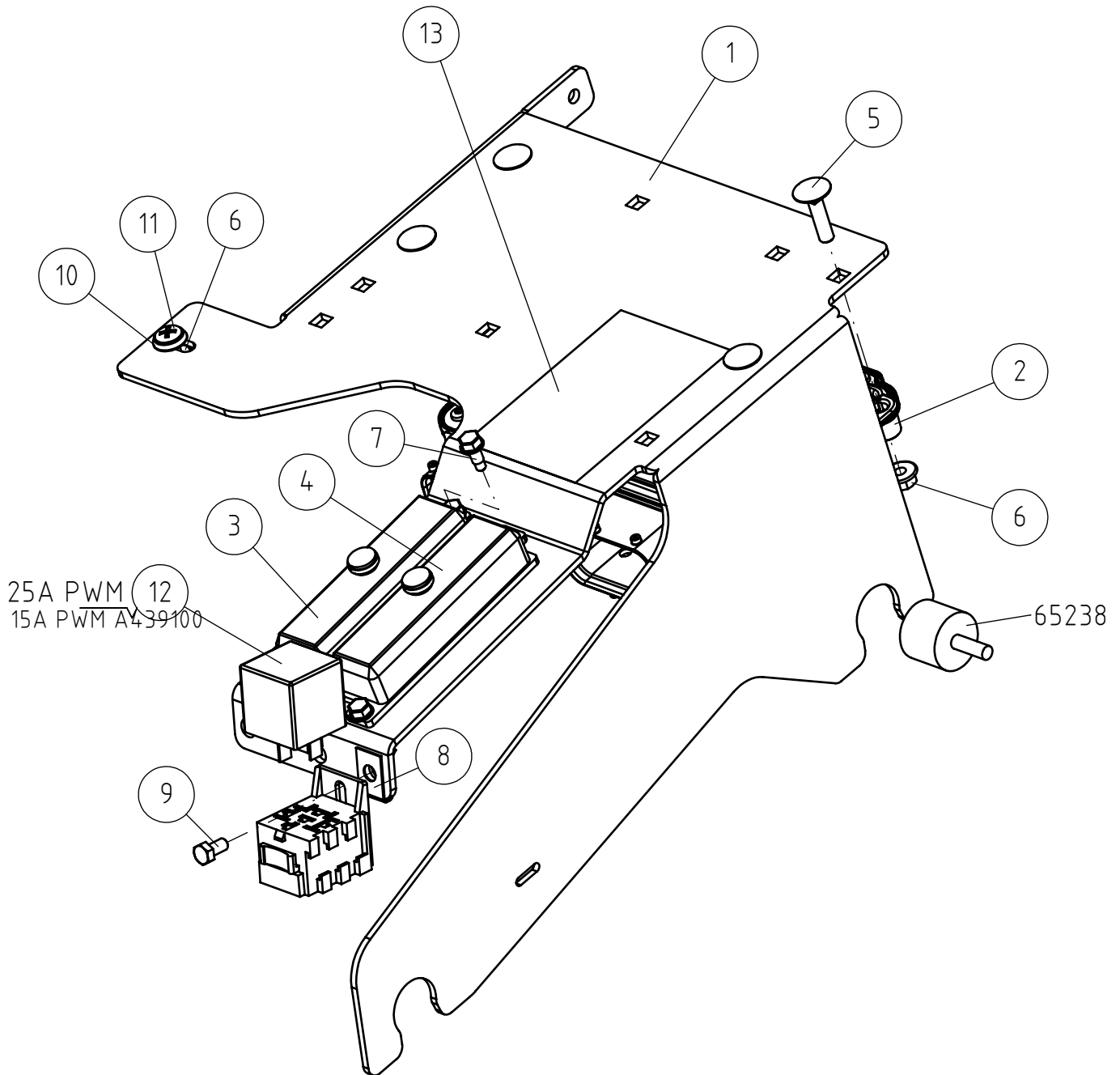
21.2.2024

A436657 POWER DISTRIBUTION UNIT 755I/760I/860I

REF	PART NO	QTY	DESCRIPTION	NOTES	PAGE
1	A436654	1	LID POWER DISTRIBUTION UNIT		-
2	A441524	1	SEAL POWER DISTRIBUTION UNIT		-
3	A441522	1	LATCH POWER DISTRIBUTION UNIT		-
4	A442618	1	DECAL POWER DISTRIBUTION UNIT		-
5	65521	2	RELAY 12V 70A		-
6	65409	7	RELAY 12V 40A		-
7	A442381	1	RELAY PROGRAMMABLE ICCS MICRO		-
8	74997	2	FUSE BLADE TYPE 5A GOLD BROWN		-
9	75041	2	FUSE BLADE TYPE 7.5A BROWN		-
10	74998	6	FUSE BLADE TYPE 10A RED		-
11	74602	3	FUSE BLADE TYPE 15A BLUE		-
12	74999	4	FUSE BLADE TYPE 20A YELLOW		-
13	A444385	2	FUSE BLADE TYPE 30A GREEN		-
14	A444387	4	FUSE BLADE TYPE 40A ORANGE		-
15	A444388	2	FUSE BLADE TYPE 50A RED		-

21.2.2024

A453565 VECU & FUSE BOXES ON MOUNTING BRACKET



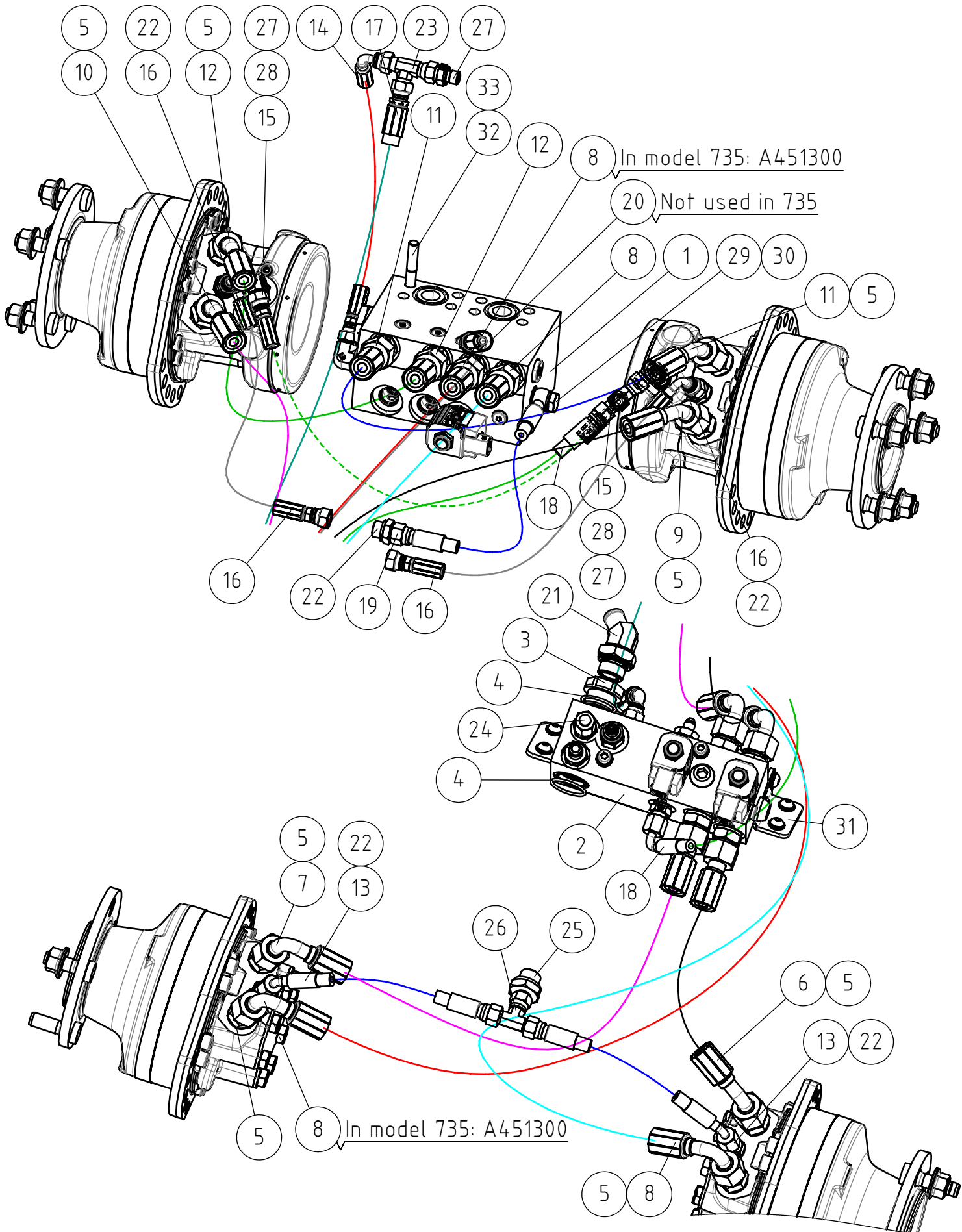
21.2.2024

A453565 VECU & FUSE BOXES ON MOUNTING BRACKET

REF	PART NO	QTY	DESCRIPTION	NOTES	PAGE
1	A452909	1	MOUNTING BRACKET VECU / FUSE BOXES		-
2	A433527	1	ELECTRONIC CONTROL UNIT ECU		-
3	A442064	1	FUSE BOX 1 ASSEMBLY 700/800 SERIES		-
4	A442243	1	FUSE BOX 2 ASSEMBLY 700/800 SERIES		-
5	75167	4	CARRIAGE BOLT M6*25 DIN603		-
6	A452923	5	HEXAGONAL NUT M6 DIN 6923		-
7	A451996	4	SELF-DRILLING SCREW 4,8*13 DIN 7504-K		-
8	75172	1	SPEED NUT M5 FOR 0.5-4.0 MM PLATE		-
9	75160	1	HEXAGONAL SCREW M5*10 DIN 933		-
10	74768	1	WASHER CONICAL M6		-
11	74767	1	RAISED COUNTERSUNK HEAD SCREW M6*20		-
12	A457011	1	RELAY 25A		-
13	A464409	1			-

21.2.2024

A452920 HYDR. HOSES DRIVE, WITH ANTI SLIP 700

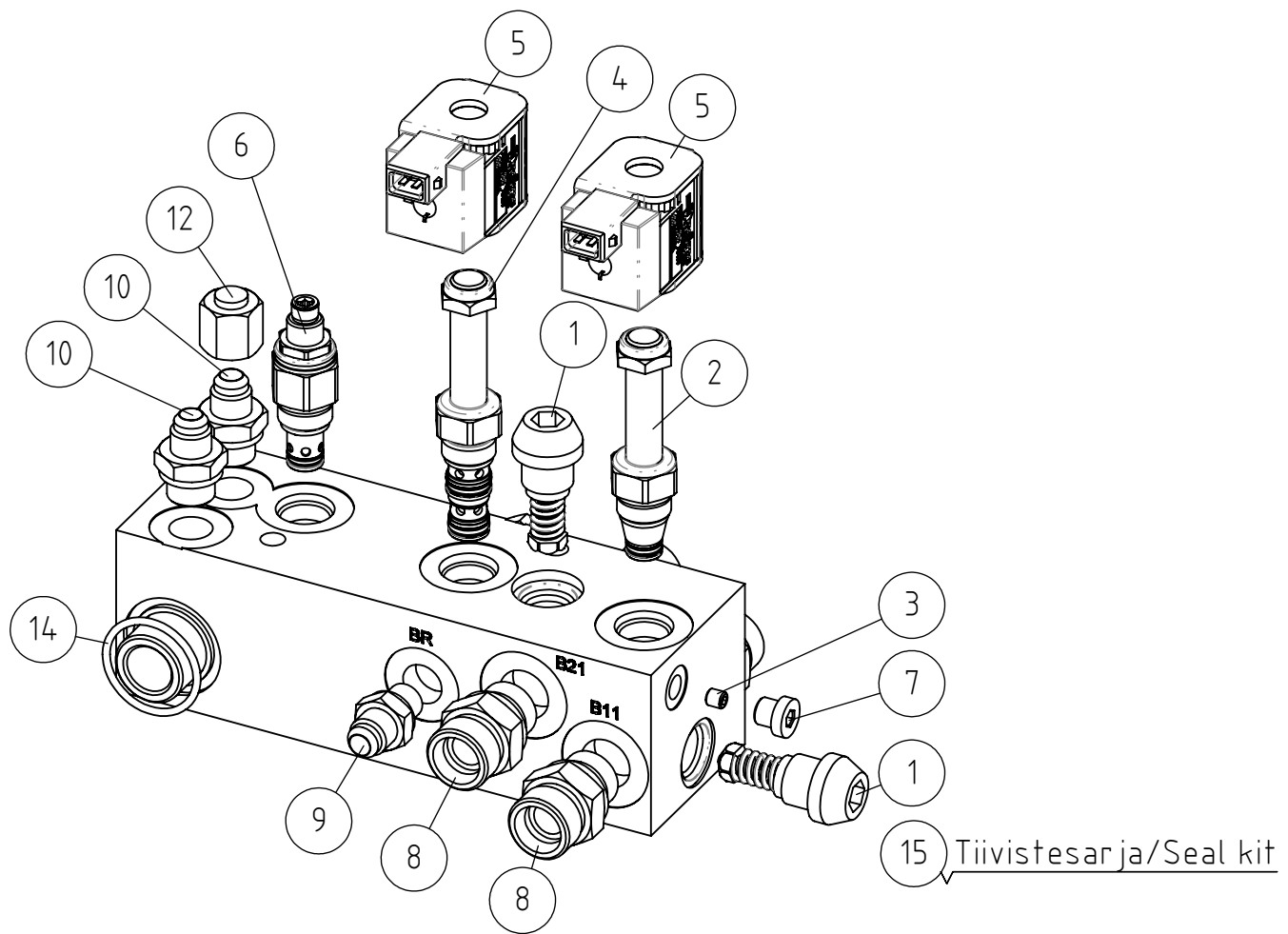


A452920 HYDR. HOSES DRIVE, WITH ANTI SLIP 700

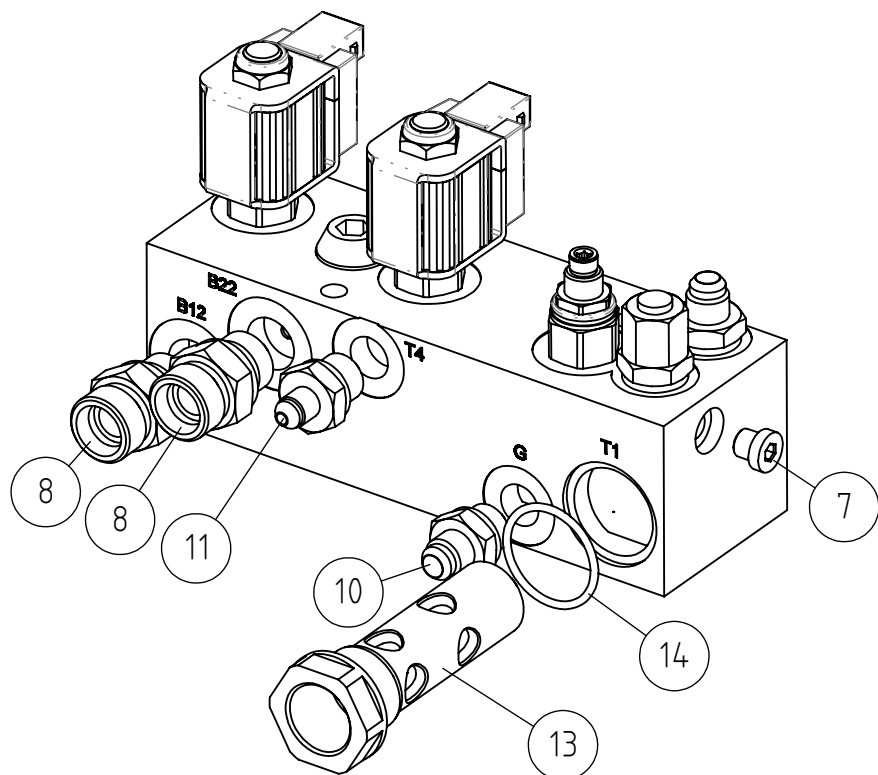
REF	PART NO	QTY	DESCRIPTION	NOTES	PAGE
1	A451904	1	HYDRAULIC MANIFOLD ANTI SLIP VALVE		-
2	A454023	1	HYDRAULIC MANIFOLD 1-SPEED DRIVE RELEASE		112
3	A421825	1	BANJO BOLT, HYDR. MANIFOLD		-
4	75112	2	O-RING NBR F 32,99*2,62 90SH		-
5	A449892	8	BASIC FITTING G1/2" M24*1,5		-
6	A451297	1	HYDR. HOSE L=330		-
7	A451295	1	HYDR. HOSE L=630		-
8	A451425	2	HYDR. HOSE L=1800		-
9	A451428	1	HYDR. HOSE L=1270		-
10	A451426	1	HYDR. HOSE L=1330		-
11	A451303	1	HYDR. HOSE L=800		-
12	A451429	1	HYDR. HOSE L=670		-
13	A429297	2	HYDR. HOSE L=250		-
14	A410094	1	HYDR. HOSE L=350		-
15	A415127	1	HYDR. HOSE L=580		-
16	A410096	2	HYDR. HOSE L=450		-
17	A414045	1	HYDR. HOSE L=1300		-
18	A410092	1	HYDR. HOSE L=1550		-
19	A428736	1	HYDR. HOSE L=400		-
20	A434555	1	HYDR. HOSE L=2200		-
21	66361	1	HOSE BARB 45° R3/4"UK - 20MM		-
22	64041	5	BASIC FITTING F40XS10-3/8 /8		-
23	64078	2	L-FITTING BODY R6XS10		-
24	64232	1	FITTING HEAD FNTXS10		-
25	64040	1	BASIC FITTING F40XS10-1/2 /2		-
26	64070	1	T FITTING S6XS10		-
27	64059	3	BASIC FITTING F40XS10-1/4		-
28	64043	2	ELBOW FITTING 90° C6XS10		-
29	64557	1	BANJO BOLT R 1/4"		-
30	73757	2	USIT COMPRESSION R1/4"		-
31	A37332	1	MOUNTING PLATE HYDRAULIC MANIFOLD, ASSEM		-
32	A452931	8	HEXAGONAL HEAD SCREW M10*130 12.9		-
33	A434424	8	SAFETY WASHER M10 3/8"		-

21.2.2024

A454023 HYDRAULIC MANIFOLD 1-SPEED DRIVE RELEASE



HUOM!
 Nimike A454023 sisältää
 osat (1) - (12)
 Tiivistesarja (15) sisältää
 osien (1), (2), (4) ja (6)
 tiivisteet
NOTE!
 Item A454023 includes
 parts (1) - (12)
 Seal kit [#error: broken link](#) includes
 seals for parts (1), (2), (4)
 and (6)



21.2.2024

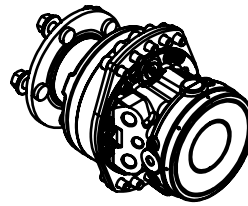
A454023 HYDRAULIC MANIFOLD 1-SPEED DRIVE RELEASE

REF	PART NO	QTY	DESCRIPTION	NOTES	PAGE
1	A428734	2	PRESSURE RELIEF VALVE CARTRIDGE 380BAR		-
2	A432309	1	VALVE CARTRIDGE DRIVE RELEASE OPTIDRIVE		-
3	A428738	1	FLOW RESTRICTOR M6/1,0MM		-
4	A428584	1	VALVE CARTRIDGE SPOOL VALVE 3/2		-
5	66452	2	SOLENOID 12VDC/19W		-
6	A428735	1	PRESSURE RELIEF VALVE CARTRIDGE 30BAR		-
7	64407	2	HEXAGONAL PLUG R 1/8" WITH PACKING		-
8	A449892	4	BASIC FITTING G1/2" M24*1,5		-
9	64059	1	BASIC FITTING F40XS10-1/4		-
10	64041	3	BASIC FITTING F40XS10-3/8 /8		-
11	64313	1	BASIC FITTING F40XS6-3/8"		-
12	64232	1	FITTING HEAD FNTXS10		-
13	A421825	1	BANJO BOLT, HYDR. MANIFOLD		-
14	75112	2	O-RING NBR F 32,99*2,62 90SH		-
15	A428793	1	SEAL KIT HYDRAULIC MANIFOLD A421616		-

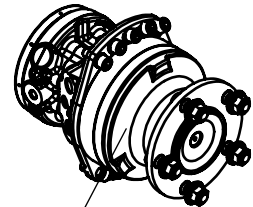
21.2.2024

A445009 HYDRAULIC MOTOR ASSEMBLY 398 CCM POCLAIN

OIKEA TAKAMOOTTORI
Right rear drivemotor

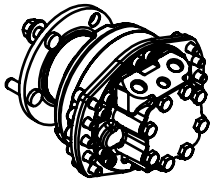


VASEN TAKAMOOTTORI
Left rear drivemotor

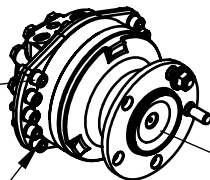


2

OIKEA ETUMOOTTORI
Right front drivemotor



VASEN ETUMOOTTORI
Left front drivemotor



4 3

1

M12 8.8
Kiristysmomentti
Tightening torque
91Nm
Kierrelukite
Threadlocking compound

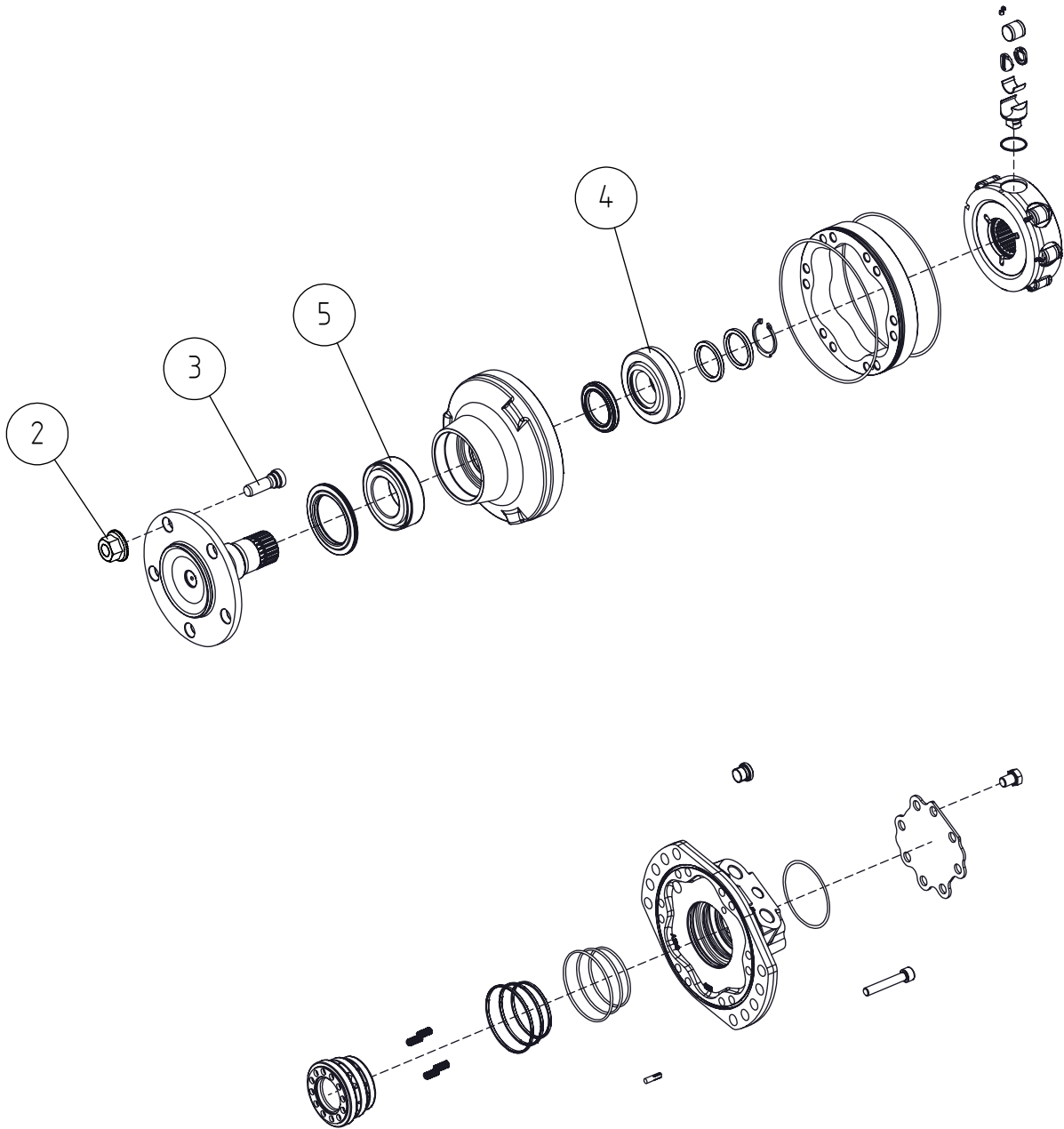
21.2.2024

A445009 HYDRAULIC MOTOR ASSEMBLY 398 CCM POCLAIN

REF	PART NO	QTY	DESCRIPTION	NOTES	PAGE
1	65670	2	HYDRAULIC MOTOR MSE02 398CCM		116
2	65671	2	HYDRAULIC MOTOR B MSE02 398CCM W. BRAKE		118
3	74846	40	HEXAGONAL HEAD SCREW M12*30 DIN912		-
4	74532	40	WASHER NORDLOCK NL12		-

21.2.2024

65670 HYDRAULIC MOTOR MSE02 398CCM



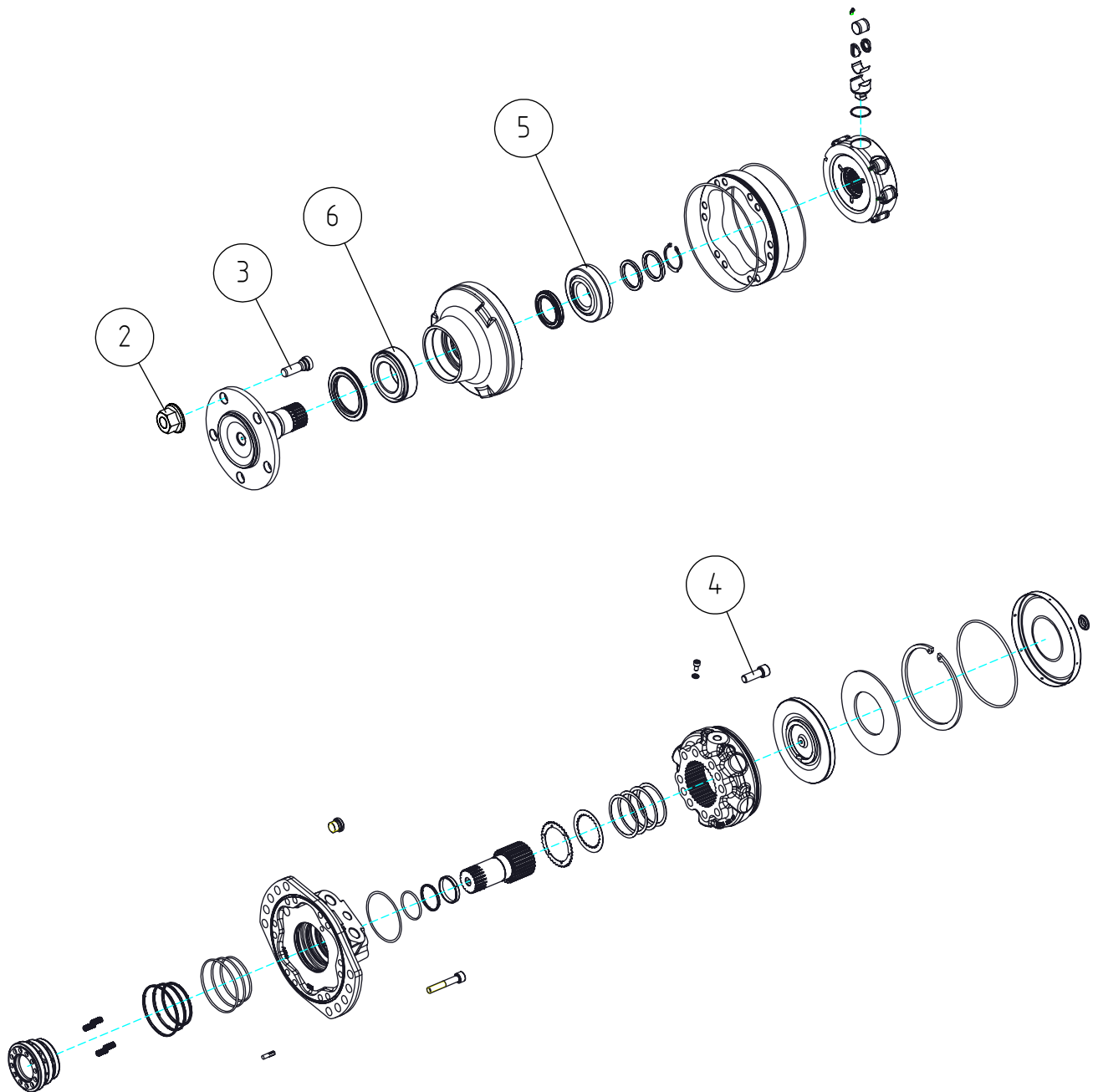
21.2.2024

65670 HYDRAULIC MOTOR MSE02 398CCM

REF	PART NO	QTY	DESCRIPTION	NOTES	PAGE
1	65670	1	HYDRAULIC MOTOR MSE02 398CCM		116
2	74866	1	WHEEL NUT M14*1.5 AV22 POCLAIN		-
3	75143	1	WHEEL BOLT M14*1.5-45 12.9 POCLAIN		-
4	A452731	1	CONICAL ROLLER BEARING 31308-C1 POCLAIN		-
5	A452732	1	CONICAL ROLLER BEARING 33110-C1 POCLAIN		-
6	A448105	1	SEAL KIT COMPLETE POCLAIN HYDR. MOTOR		-
7	A448120	1	SEAL KIT POCLAIN REPAIR KIT HYDR. MOTOR		-
8	A448122	1	SEAL KIT POCLAIN OPENING KIT HYDR. MOTOR		-

21.2.2024

65671 HYDRAULIC MOTOR B MSE02 398CCM W. BRAKE



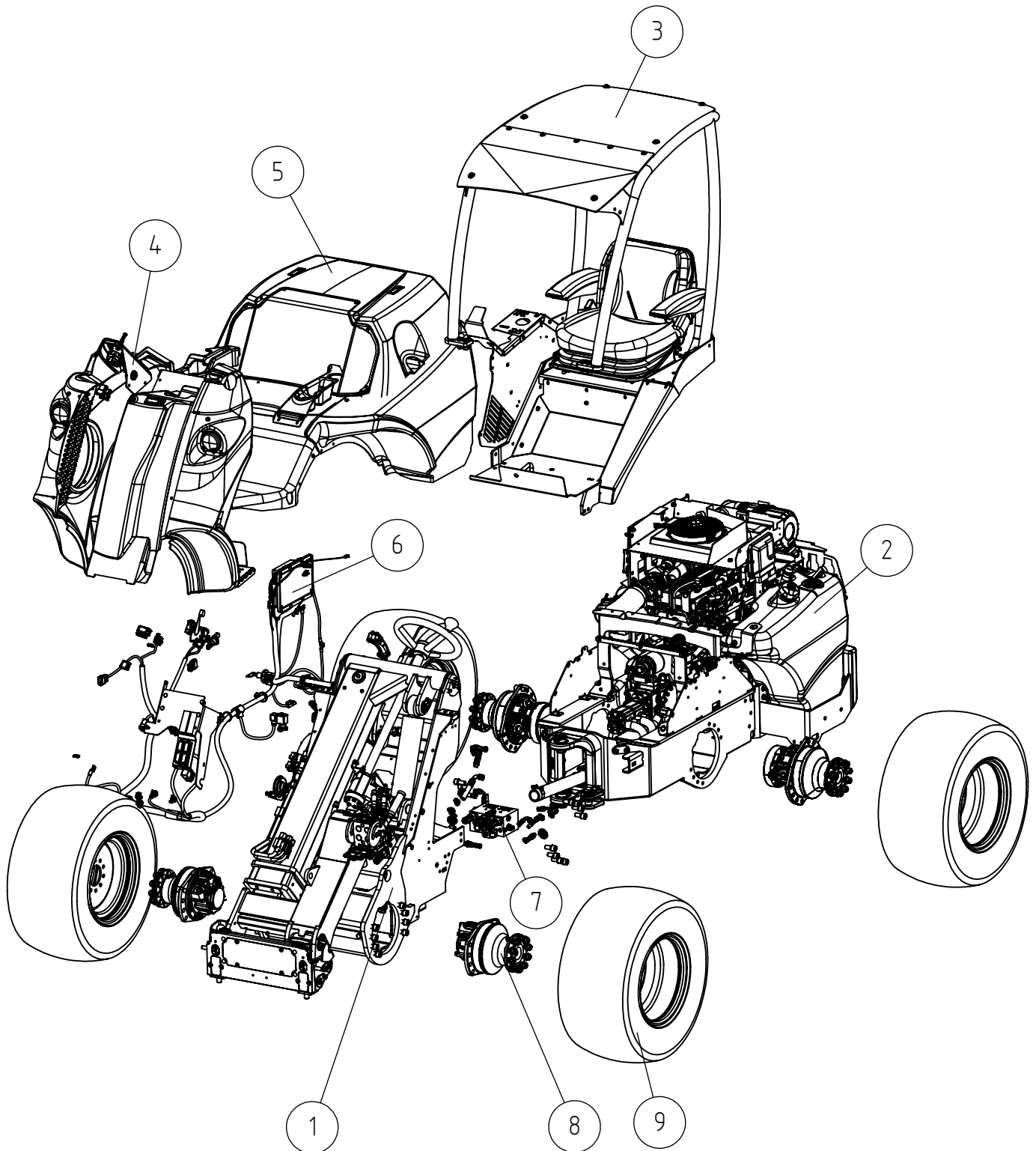
21.2.2024

65671 HYDRAULIC MOTOR B MSE02 398CCM W. BRAKE

REF	PART NO	QTY	DESCRIPTION	NOTES	PAGE
1	65671	1	HYDRAULIC MOTOR B MSE02 398CCM W. BRAKE		118
2	74866	1	WHEEL NUT M14*1.5 AV22 POCLAIN		-
3	75143	1	WHEEL BOLT M14*1.5-45 12.9 POCLAIN		-
4	A449527	1	HEXAGONAL HEAD SCREW M10*40 12.9 DIN 912		-
5	A452731	1	CONICAL ROLLER BEARING 31308-C1 POCLAIN		-
6	A452732	1	CONICAL ROLLER BEARING 33110-C1 POCLAIN		-
7	A448123	1	SEAL KIT COMPLETE POCLAIN HYDR. MOTOR		-
8	A448120	1	SEAL KIT POCLAIN REPAIR KIT HYDR. MOTOR		-
9	A448122	1	SEAL KIT POCLAIN OPENING KIT HYDR. MOTOR		-

21.2.2024

A451551 AVANT 760I TIER 4 FINAL 11/2022 =>

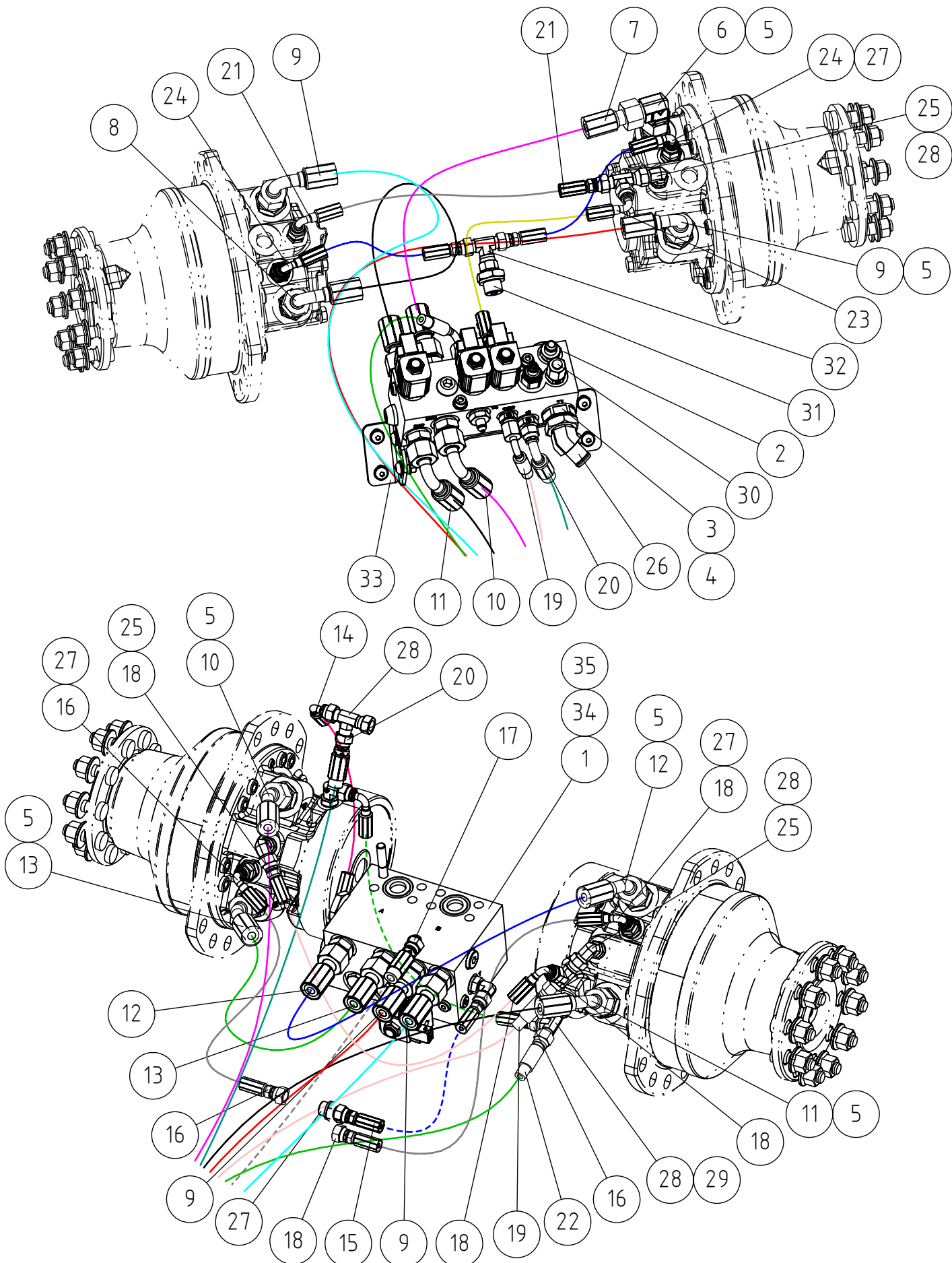


21.2.2024

A451551 AVANT 760I TIER 4 FINAL 11/2022 =>

REF	PART NO	QTY	DESCRIPTION	NOTES	PAGE
1	A452147	1	FRONT FRAME ASSEMBLY 700 SERIES 11/2022		8
2	A440450	1	REAR FRAME ASSEMBLY 7551/760I TIER 4		44
3	A452130	1	ROPS CAB ASSEMBLY 500-700 SERIES		76
4	A435860	1	DASHBOARD ASSEMBLY 700-800 ROPS		84
5	A451115	1	COVER PLATES KIT, ABS 700 SERIES ROPS		86
6	A453581	1	ELECTRIC COMPONENTS 760I		104
7	A451386	1	HYDR. HOSES DRIVE, WITH ANTI SLIP	A451386 Avant 760	122
8	A448175	1	HYDRAULIC MOTOR ASSEMBLY 560/280 CCM		128
9	65958	4	WHEEL (TYRE+RIM) 400/50-15 10-HOLE		-

A451386 HYDR. HOSES DRIVE, WITH ANTI SLIP



21.2.2024

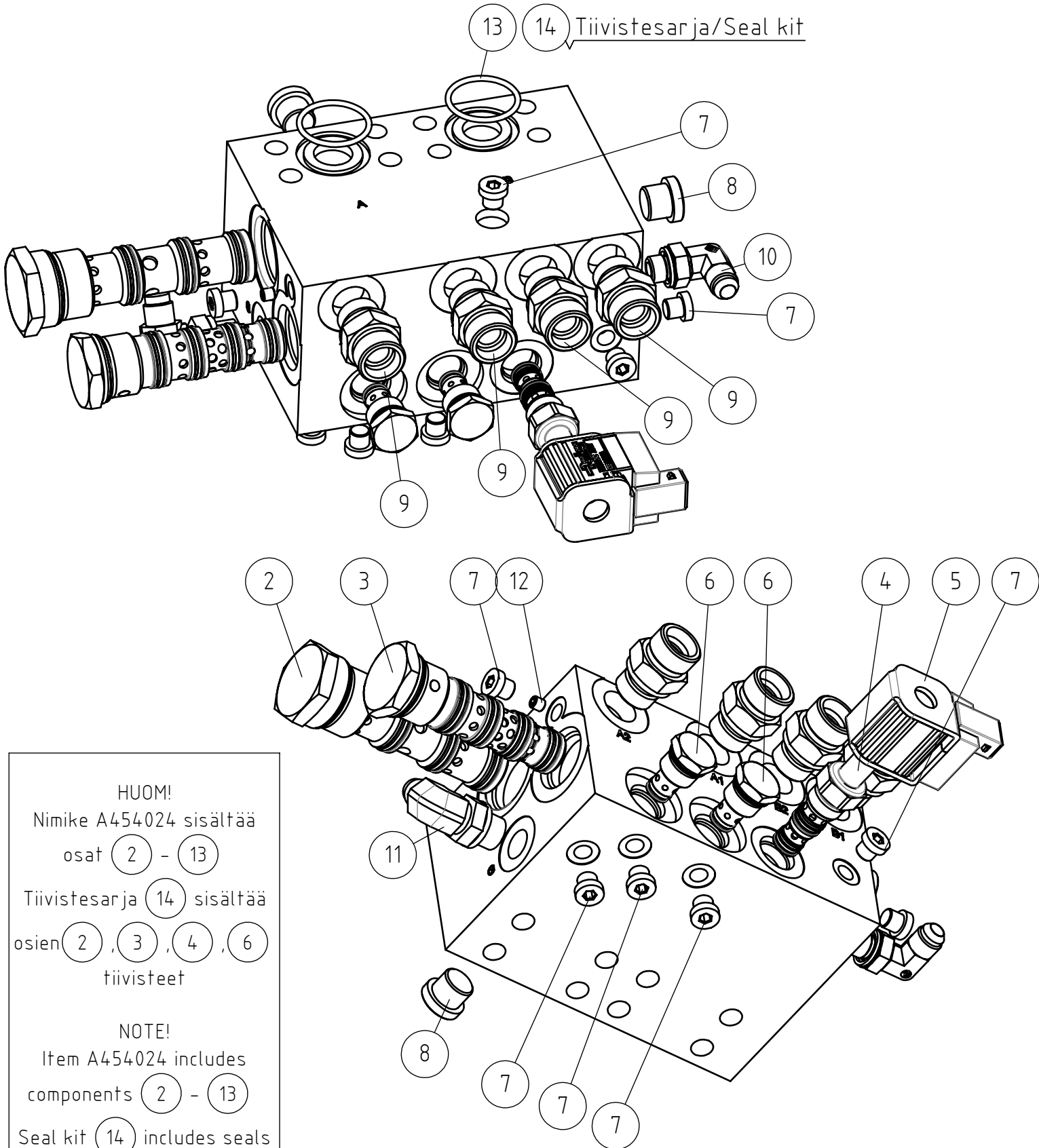
A451386 Avant 760

A451386 HYDR. HOSES DRIVE, WITH ANTI SLIP

REF	PART NO	QTY	DESCRIPTION	NOTES	PAGE
1	A454024	1	HYDRAULIC MANIFOLD ANTI SLIP VALVE		124
2	A454022	1	HYDRAULIC MANIFOLD 2-SPEED		126
3	A421825	1	BANJO BOLT, HYDR. MANIFOLD		-
4	75112	2	O-RING NBR F 32,99*2,62 90SH		-
5	A449893	8	BASIC FITTING G3/4" M24*1,5		-
6	A451409	1	ELBOW FITTING 90 DEGR. M24X1,5		-
7	A451302	1	HYDR. HOSE L=620		-
8	A451423	1	HYDR. HOSE L=800		-
9	A451425	2	HYDR. HOSE L=1800		-
10	A451426	1	HYDR. HOSE L=1330		-
11	A451428	1	HYDR. HOSE L=1270		-
12	A451303	1	HYDR. HOSE L=800		-
13	A451429	1	HYDR. HOSE L=670		-
14	A410094	1	HYDR. HOSE L=350		-
15	A428535	1	HYDR. HOSE L=350		-
16	A410096	2	HYDR. HOSE L=450		-
17	A421905	1	HYDR. HOSE L=1780		-
18	A415127	2	HYDR. HOSE L=580		-
19	A415350	1	HYDR. HOSE L=1300		-
20	A414045	1	HYDR. HOSE L=1300		-
21	A410017	1	HYDR. HOSE L=400		-
22	A410092	1	HYDR. HOSE L=1550		-
23	A446654	1	HYDR. HOSE L=450		-
24	A410165	2	HYDR. HOSE L=300		-
25	64087	4	ELBOW FITTING 90 DEGR. /4#		-
26	66361	1	HOSE BARB 45° R3/4"UK - 20MM		-
27	64041	5	BASIC FITTING F40XS10-3/8 /8		-
28	64078	4	L-FITTING BODY R6XS10		-
29	64059	2	BASIC FITTING F40XS10-1/4		-
30	64232	1	FITTING HEAD FNTXS10		-
31	64040	1	BASIC FITTING F40XS10-1/2 /2		-
32	64070	1	T FITTING S6XS10		-
33	A37332	1	MOUNTING PLATE HYDRAULIC MANIFOLD, ASSEM		-
34	75122	8	HEXAGONAL HEAD SCREW M10*140 12.9 DIN912		-
35	A434424	8	SAFETY WASHER M10 3/8"		-

21.2.2024

A454024 HYDRAULIC MANIFOLD ANTI SLIP VALVE



HUOM!
 Nimike A454024 sisältää osat (2) - (13)
 Tiivistesarja (14) sisältää osien (2), (3), (4), (6) tiivisteet

NOTE!
 Item A454024 includes components (2) - (13)
 Seal kit (14) includes seals for components (2), (3), (4), (6)

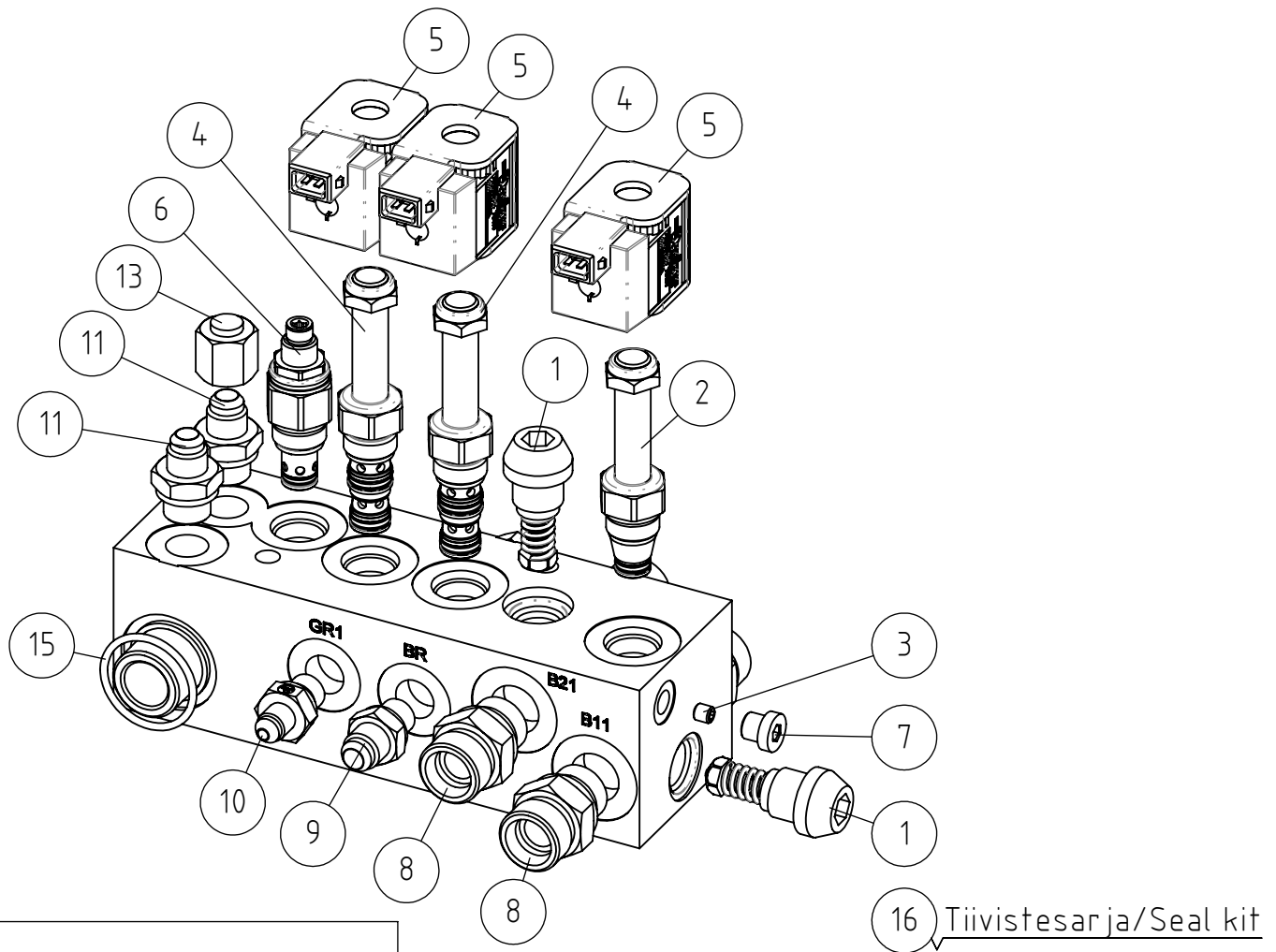
21.2.2024

A454024 HYDRAULIC MANIFOLD ANTI SLIP VALVE

REF	PART NO	QTY	DESCRIPTION	NOTES	PAGE
1	A454024	1	HYDRAULIC MANIFOLD ANTI SLIP VALVE		124
2	A428742	1	FLOW DIVIDER VALVE CARTRIDGE 420BAR		-
3	A428740	1	DIVERTER VALVE CARTRIDGE 420BAR		-
4	A428584	1	VALVE CARTRIDGE SPOOL VALVE 3/2		-
5	66452	1	SOLENOID 12VDC/19W		-
6	A428743	2	CHECK VALVE CARTRIDGE 420BAR		-
7	64407	7	HEXAGONAL PLUG R 1/8" WITH PACKING		-
8	74411	2	HEXAGONAL PLUG HF 3/8" HTUNG		-
9	A449892	4	BASIC FITTING G1/2" M24*1,5		-
10	64087	1	ELBOW FITTING 90 DEGR. /4#		-
11	64044	1	ELBOW FITTING 90° C40XS10-3/8 /8		-
12	A428739	1	FLOW RESTRICTOR M6/0,7MM		-
13	75113	2	O-RING NBR F 31,42*2,62 90SH		-
14	A428795	1	SEAL KIT HYDRAULIC MANIFOLD A421617		-

21.2.2024

A454022 HYDRAULIC MANIFOLD 2-SPEED

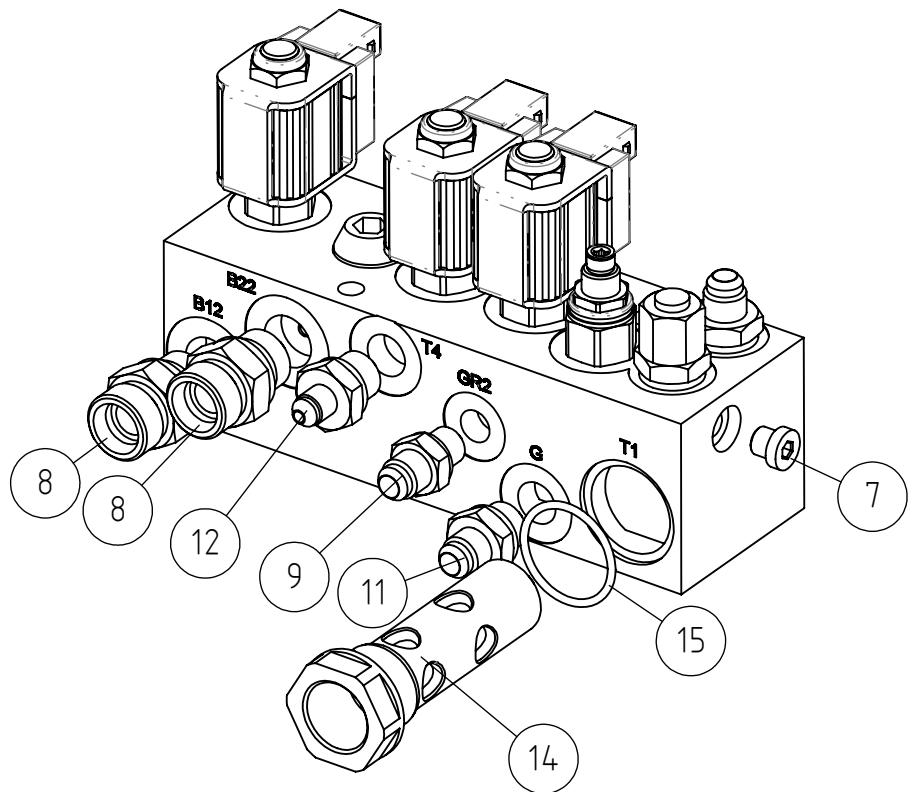


HUOM!
 Nimike A454022 sisältää osat 1 - 13

Tiivistesarja 16 sisältää osien 1, 2, 4 ja 6 tiivisteet

NOTE!
 Item A454022 includes parts 1 - 13

Seal kit 16 includes seals for parts 1, 2, 4 and 6



21.2.2024

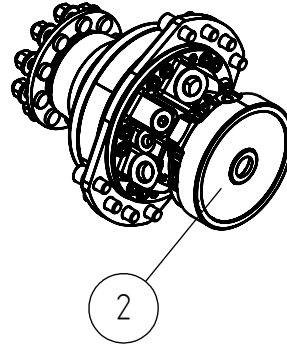
A454022 HYDRAULIC MANIFOLD 2-SPEED

REF	PART NO	QTY	DESCRIPTION	NOTES	PAGE
1	A428734	2	PRESSURE RELIEF VALVE CARTRIDGE 380BAR		-
2	A432309	1	VALVE CARTRIDGE DRIVE RELEASE OPTIDRIVE		-
3	A428738	1	FLOW RESTRICTOR M6/1,0MM		-
4	A428584	2	VALVE CARTRIDGE SPOOL VALVE 3/2		-
5	66452	3	SOLENOID 12VDC/19W		-
6	A428735	1	PRESSURE RELIEF VALVE CARTRIDGE 30BAR		-
7	64407	2	HEXAGONAL PLUG R 1/8" WITH PACKING		-
8	A449892	4	BASIC FITTING G1/2" M24*1,5		-
9	64059	2	BASIC FITTING F40XS10-1/4		-
10	64678	1	BASIC FITTING F40XS6-1/4"		-
11	64041	3	BASIC FITTING F40XS10-3/8 /8		-
12	64313	1	BASIC FITTING F40XS6-3/8"		-
13	64232	1	FITTING HEAD FNTXS10		-
14	A421825	1	BANJO BOLT, HYDR. MANIFOLD		-
15	75112	2	O-RING NBR F 32,99*2,62 90SH		-
16	A428794	1	SEAL KIT HYDRAULIC MANIFOLD A421615		-

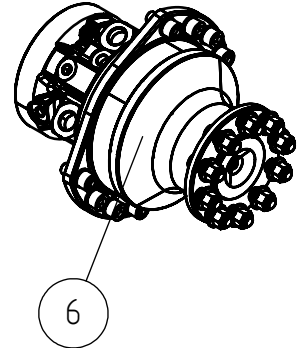
21.2.2024

A448175 HYDRAULIC MOTOR ASSEMBLY 560/280 CCM

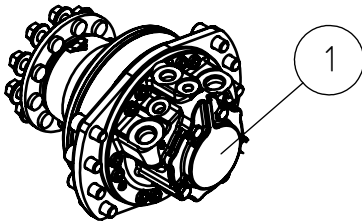
OIKEA TAKAMOOTTORI
Right rear drivemotor



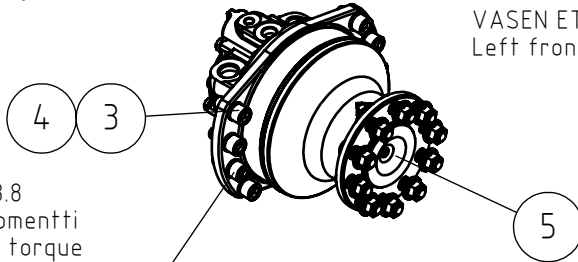
VASEN TAKAMOOTTORI
Left rear drivemotor



OIKEA ETUMOOTTORI
Right front drivemotor



VASEN ETUMOOTTORI
Left front drivemotor



M16 8.8
Kiristysmomentti
Tightening torque
197Nm
Kierrelukite
Threadlocking compound

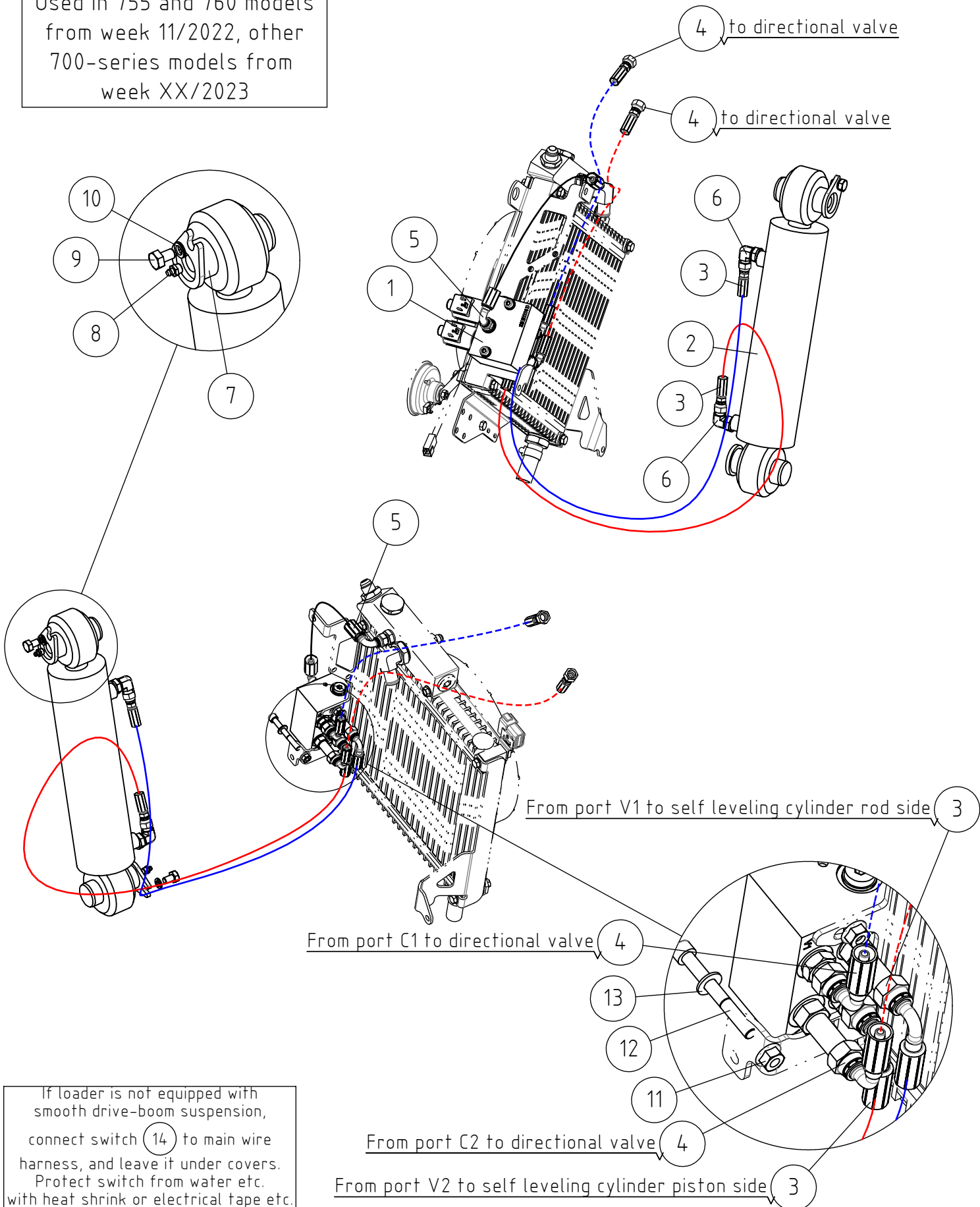
21.2.2024

A448175 HYDRAULIC MOTOR ASSEMBLY 560/280 CCM

REF	PART NO	QTY	DESCRIPTION	NOTES	PAGE
1	65138	1	HYDRAULIC MOTOR MS05 RIGHT 560/280CCM		-
2	65140	1	HYDRAULIC MOTOR MS05 WITH BRAKE RIGHT		-
3	A442920	32	HEXAGONAL HEAD SCREW M16*35 DIN 912 8.8		-
4	74533	32	WASHER, PAIR, M16 NL16 NORDLOCK		-
5	65139	1	HYDRAULIC MOTOR MS05 LEFT 560/280CCM		-
6	65141	1	HYDRAULIC MOTOR MS05 WITH BRAKE LEFT		-

A445631 BOOM SELF LEVELLING 700 SERIES

Used in 755 and 760 models
from week 11/2022, other
700-series models from
week XX/2023



If loader is not equipped with
smooth drive-boom suspension,
connect switch (14) to main wire
harness, and leave it under covers.
Protect switch from water etc.
with heat shrink or electrical tape etc.

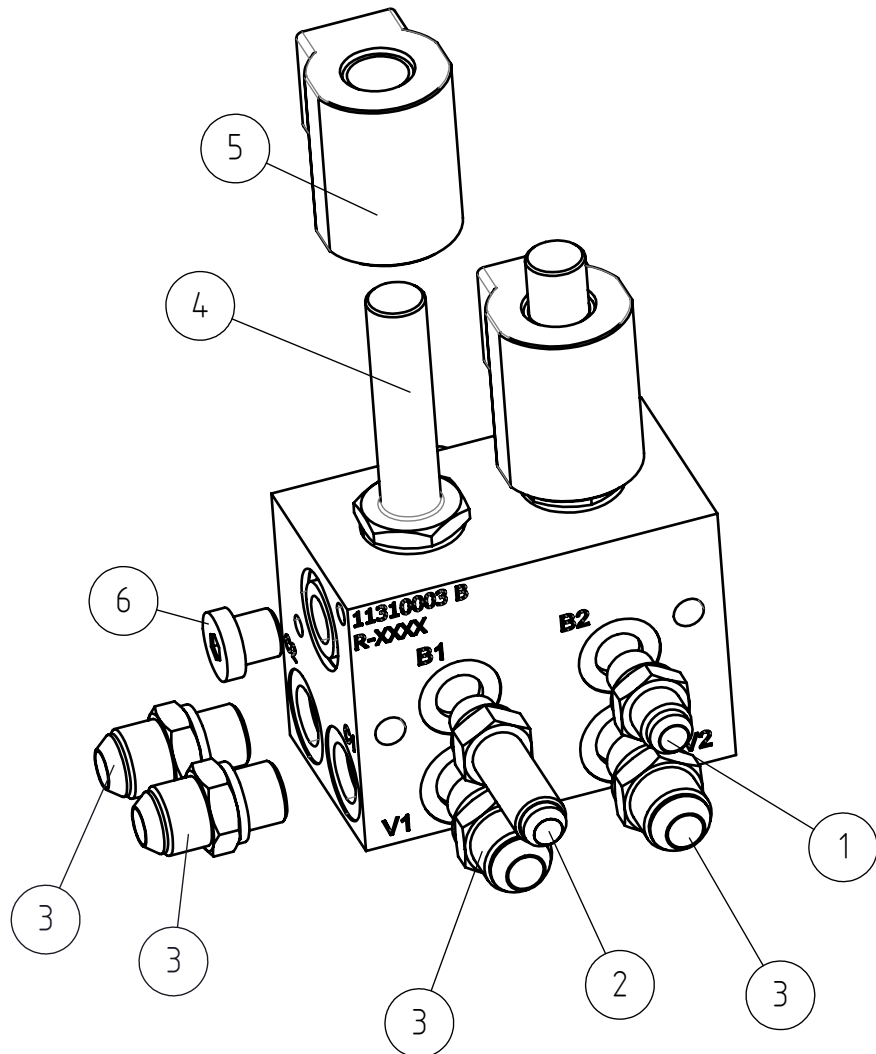
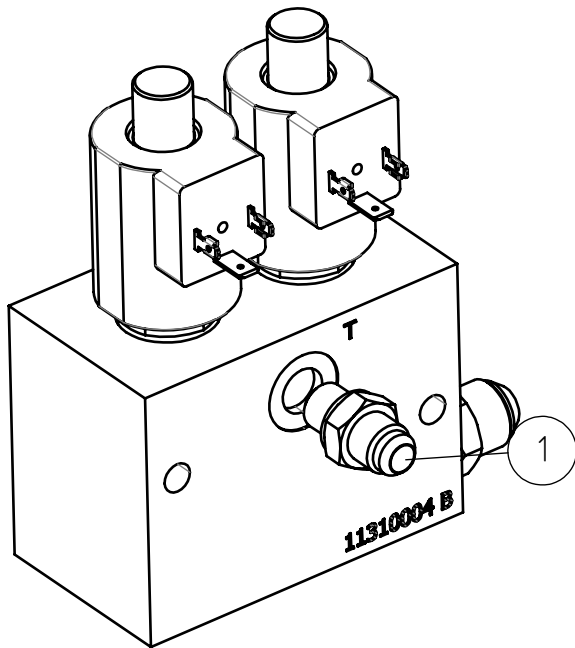
21.2.2024

A445631 BOOM SELF LEVELLING 700 SERIES

REF	PART NO	QTY	DESCRIPTION	NOTES	PAGE
1	A449741	1	DIRECTIONAL VALVE ASSEMBLY BOOM FLOAT &		132
2	A412914	1	HYDR. CYLINDER F80/F36-235 SELF LEVELLI		-
2.1	A418436	1	SEAL KIT, 80/36 CYLINDER, SELF LEV 700		-
3	A436991	2	HYDR. HOSE L=1350		-
4	A450415	2	HYDR. HOSE L=800		-
5	A450400	1	HYDR. HOSE L=500		-
6	64044	2	ELBOW FITTING 90° C40XS10-3/8 /8		-
7	A47041	2	PIVON PIN F40-90		-
8	72798	2	GREASE NIPPLE R 1/8" STRAIGHT		-
9	72147	2	HEXAGONAL SCREW M 10*16 DIN 933		-
10	74531	2	SPACER NORDLOCK M10, PAIR		-
11	74782	2	HEXAGONAL NUT M8 WITH FLANGE		-
12	A442472	2	HEXAGONAL HEAD SCREW M8*70 DIN 912 8.8		-
13	73122	2	WASHER M8 A8,4 DIN 125 ZN		-
14	A437190	1	SWITCH SMOOTH DRIVE		-
15	A440277	1	WIRE HARNESS SMOOTH DRIVE, TO VALVES		-

21.2.2024

A449741 DIRECTIONAL VALVE ASSEMBLY BOOM FLOAT &



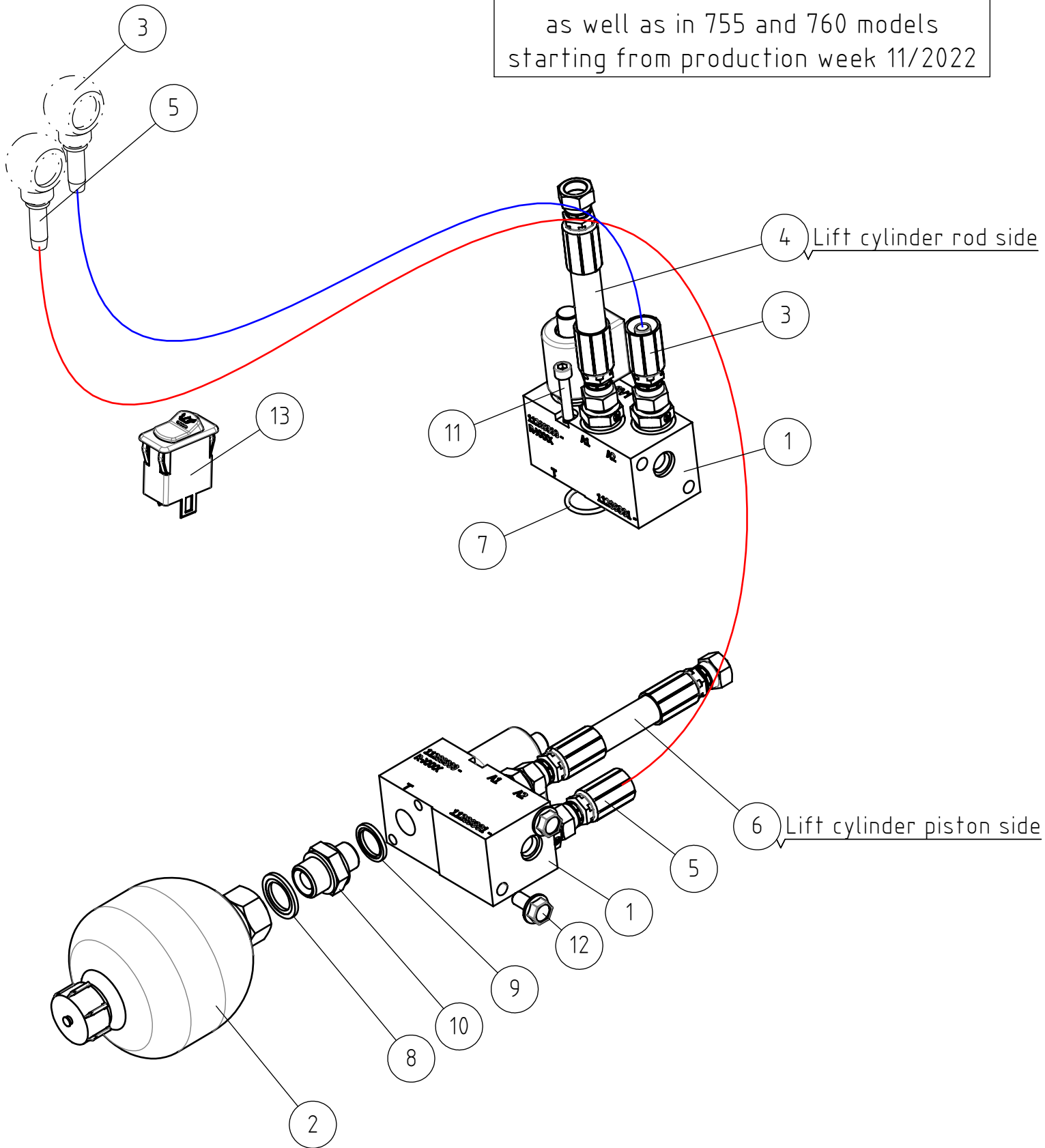
21.2.2024

A449741 DIRECTIONAL VALVE ASSEMBLY BOOM FLOAT &

REF	PART NO	QTY	DESCRIPTION	NOTES	PAGE
1	64059	2	BASIC FITTING F40XS10-1/4		-
2	A453598	1	BASIC FITTING G1/4" OUTSIDE THREAD		-
3	64042	4	BASIC FITTING F40XS12-3/8 /8		-
4	A432527	2	VALVE CARTRIDGE 3/2 CONTROL VALVE		-
5	A432544	2	SOLENOID 12V / 26W		-
6	64700	1	HEXAGONAL PLUG R 1/4"		-

A445633 SMOOTH DRIVE - BOOM SUSPENSION 600-700

Used in Avant 645 and 650 models as well as in 755 and 760 models starting from production week 11/2022



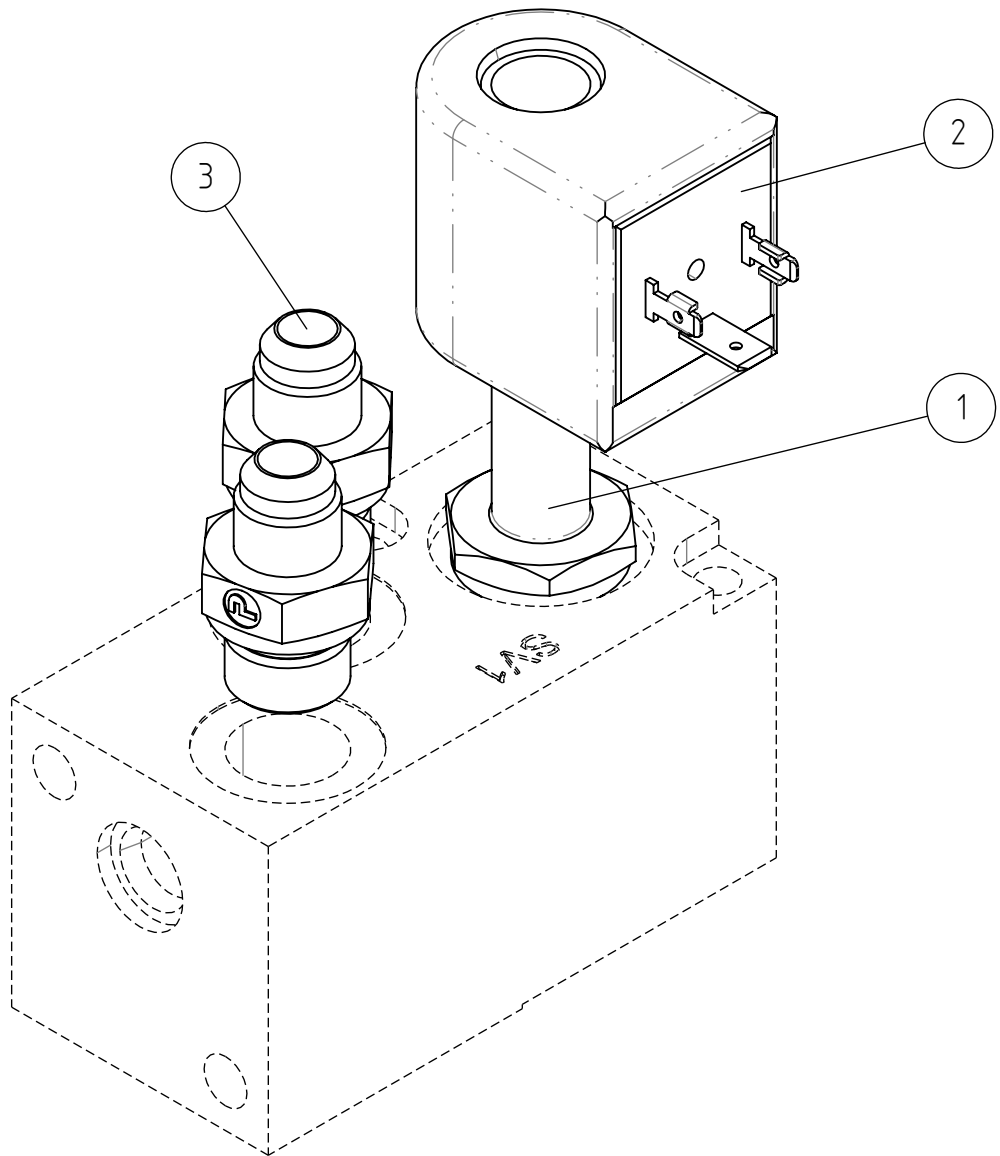
21.2.2024

A445633 SMOOTH DRIVE - BOOM SUSPENSION 600-700

REF	PART NO	QTY	DESCRIPTION	NOTES	PAGE
1	A449669	2	SOLENOID VALVE 2/2		136
2	65732	1	ACCUMULATOR 0,32L G1/2"		-
3	A446816	1	HYDR. HOSE L=800		-
4	A450402	1	HYDR. HOSE L=1270		-
5	A445697	1	HYDR. HOSE L=1100		-
6	A446813	1	HYDR. HOSE L=1650		-
7	A450398	1	O-RING D23.47X2.62		-
8	73047	1	USIT SEAL RING R/12"		-
9	73379	1	USIT-COMPRESSION 3/8"		-
10	73408	1	REDUCTOR NIPPLE R3/8"-1/2"		-
11	74478	2	HEXAGONAL HEAD SCREW M6* 55		-
12	A429200	2	HEXAGONAL SERRATED SCREW M8*16 WITH		-
13	A437190	1	SWITCH SMOOTH DRIVE		-

21.2.2024

A449669 SOLENOID VALVE 2/2

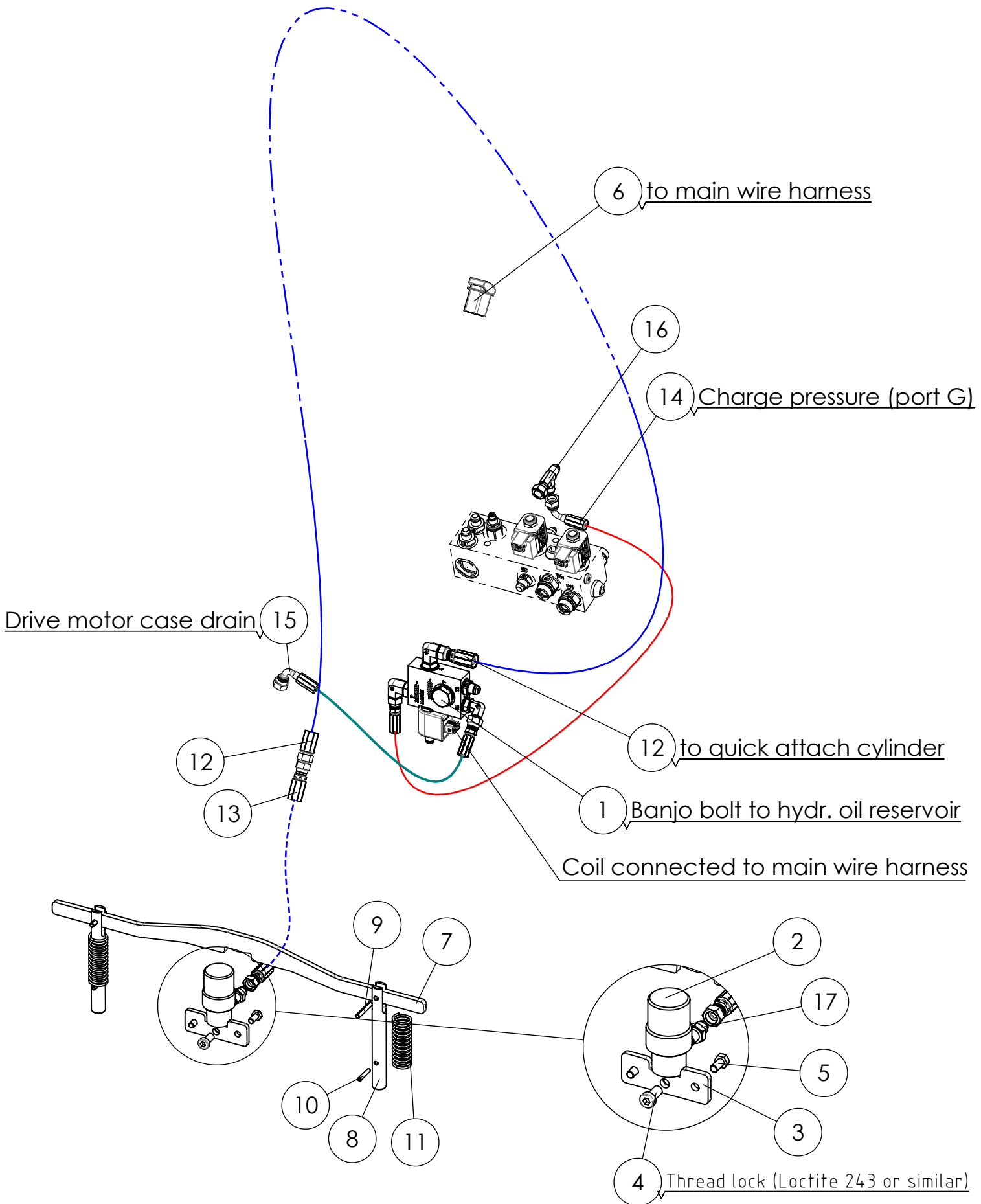


21.2.2024

A449669 SOLENOID VALVE 2/2

REF	PART NO	QTY	DESCRIPTION	NOTES	PAGE
1	A449737	1			-
2	A449739	1			-
3	64041	2	BASIC FITTING F40XS10-3/8 /8		-

A450470 HYDRAULIC ATTACHMENT COUPLING PLATE 700

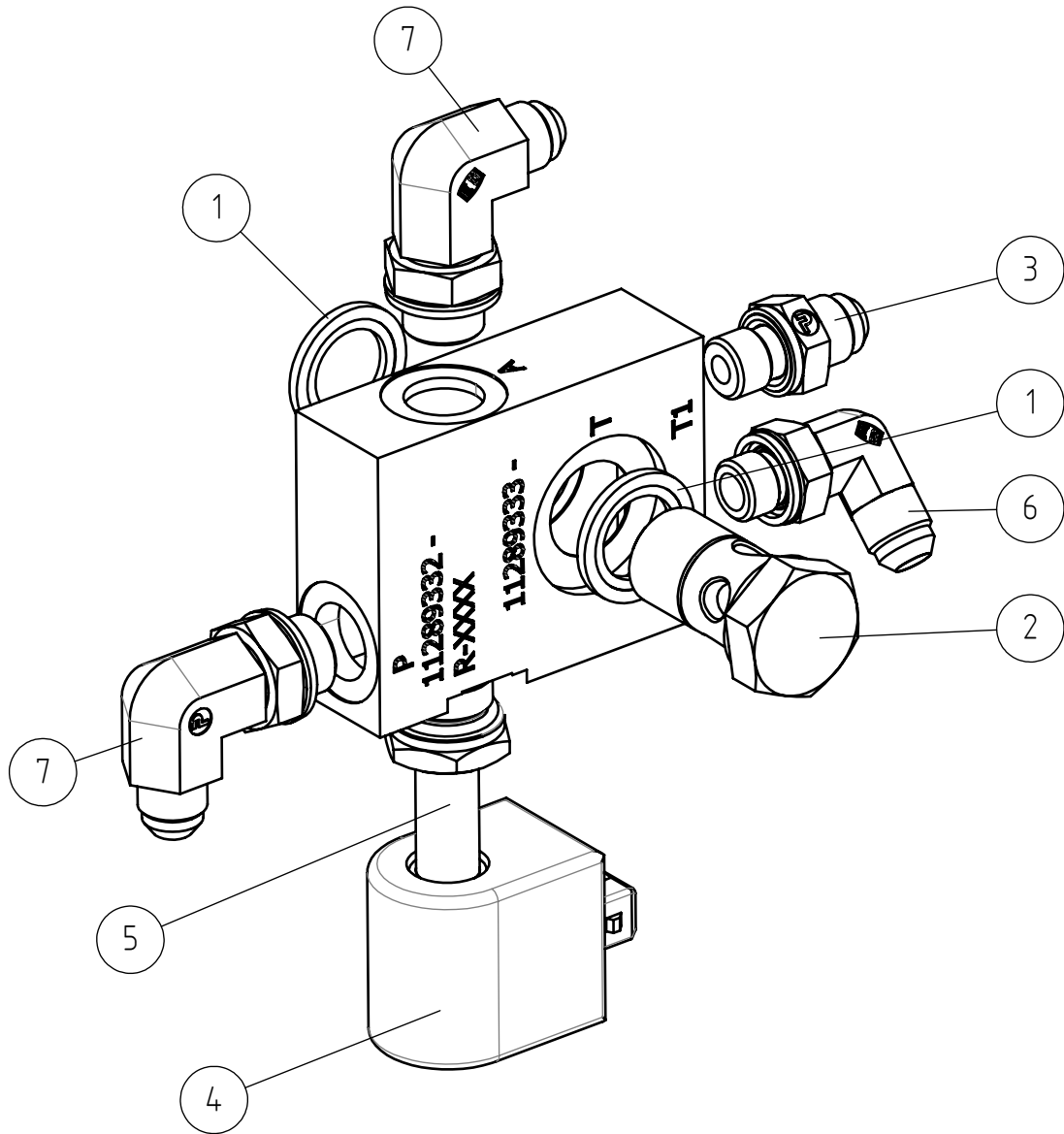


21.2.2024

A450470 HYDRAULIC ATTACHMENT COUPLING PLATE 700

REF	PART NO	QTY	DESCRIPTION	NOTES	PAGE
1	A449703	1	VALVE ASSEMBLY HYDR. ATTACHMENT COUPLING		140
2	A425700	1	HYDRAULIC CYLINDER F35/F35-30		-
3	A424829	1	MOUNTING BRACKET CYLINDER HYD QUICK ATTA		-
4	74752	1	HEXAGONAL HEAD SCREW M10*20 DIN 7984 ZN		-
5	73039	2	HEXAGONAL SCREW M 8*16 DIN 933 ZN		-
6	A430996	1	CONTROL SWITCH, HYDR ATTACHMENT COUPLING		-
7	A424886	1	ROD HYDR. ATTACHMENT COUPLING		-
8	A410803	2	LOCKING PIN F20, HYDR. ATTACHM COUPLING		-
9	71793	2	SPRING COTTER PIN 6 * 40		-
10	73661	2	SPRING PIN 5*30 DIN 1481		-
11	A430549	2	COMPRESSION SPRING		-
12	A430210	1	HYDR. HOSE L=5600		-
13	A430203	1	HYDR. HOSE L=400		-
14	A415120	1	HYDR. HOSE L=750		-
15	A410017	1	HYDR. HOSE L=400		-
16	64078	1	L-FITTING BODY R6XS10		-
17	64059	1	BASIC FITTING F40XS10-1/4		-

A449703 VALVE ASSEMBLY HYDR. ATTACHMENT COUPLING



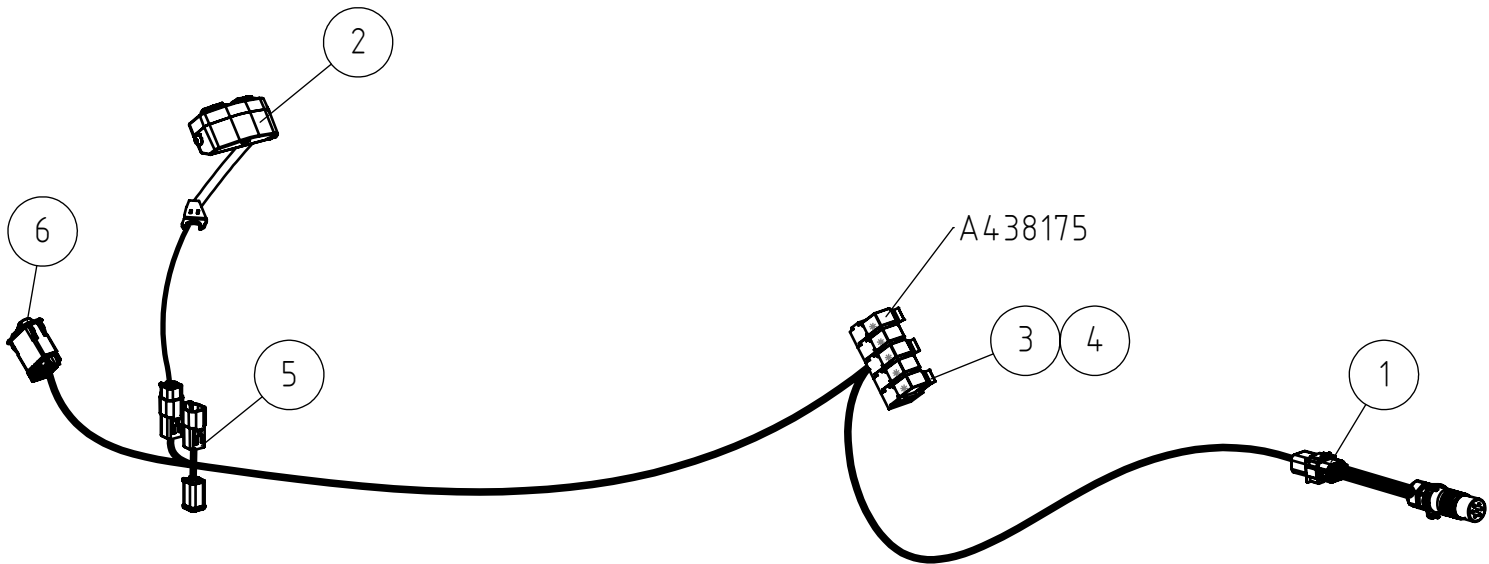
21.2.2024

A449703 VALVE ASSEMBLY HYDR. ATTACHMENT COUPLING

REF	PART NO	QTY	DESCRIPTION	NOTES	PAGE
1	73047	2	USIT SEAL RING R/12"		-
2	73959	1	BANJO BOLT R 1/2"		-
3	64059	1	BASIC FITTING F40XS10-1/4		-
4	A449743	1	SOLENOID 12V/20W		-
5	A449744	1			-
6	64087	1	ELBOW FITTING 90 DEGR. /4#		-
7	64044	2	ELBOW FITTING 90° C40XS10-3/8 /8		-

21.2.2024

A454145 ATTACHMENT CONTROL SWITCH PACK

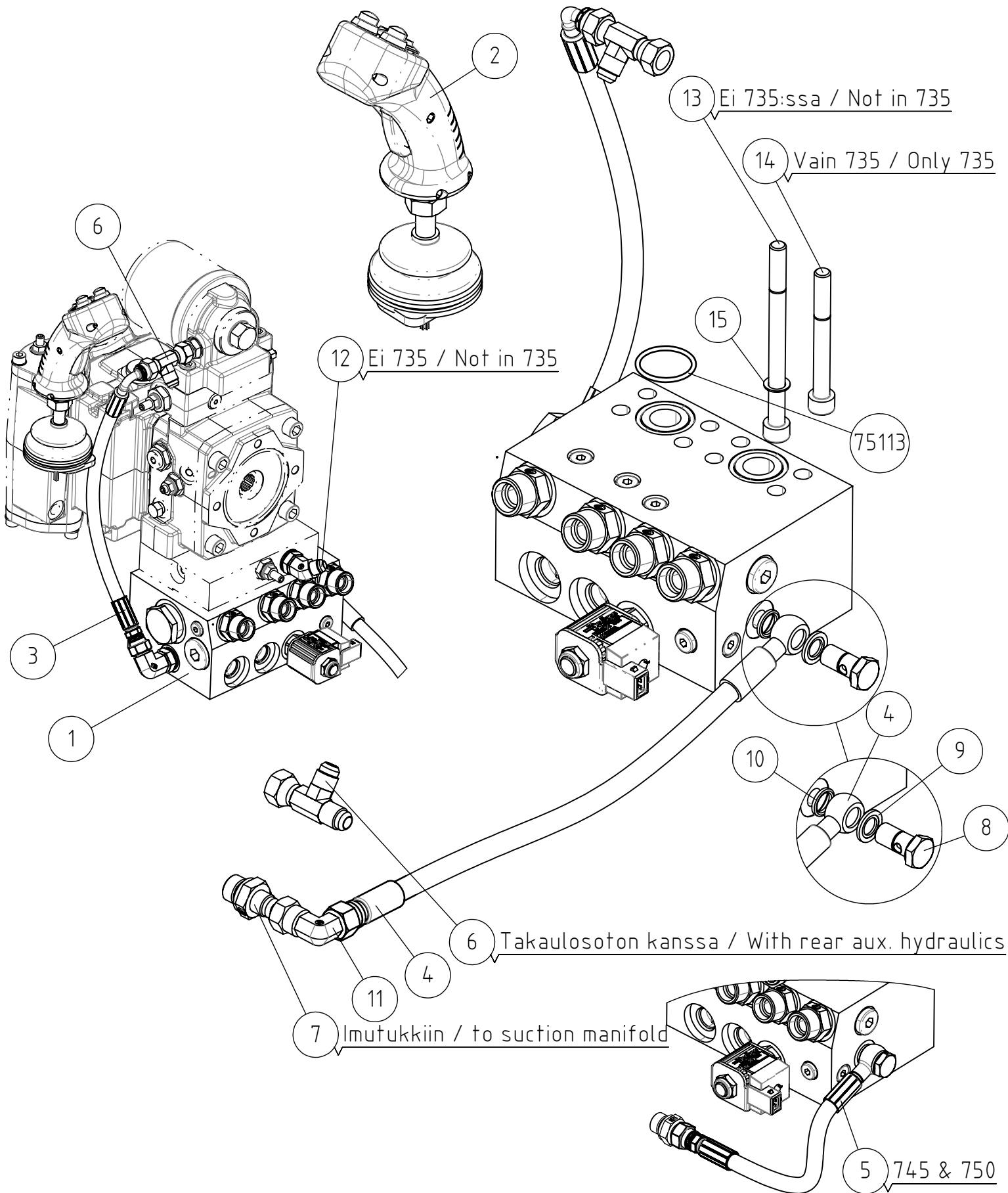


21.2.2024

A454145 ATTACHMENT CONTROL SWITCH PACK

REF	PART NO	QTY	DESCRIPTION	NOTES	PAGE
1	A445731	1	CONNECTING CABLE OPTICONTROL L=3100		-
2	A34716	1	SWITCH PACK		-
2.1	65431	1	ROCKER SWITCH 0-1, BLACK, 180.1146		-
2.2	65408	2	ROCKER SWITCH, BLACK, JOYSTICK		-
3	75172	3	SPEED NUT M5 FOR 0.5-4.0 MM PLATE		-
4	75160	3	HEXAGONAL SCREW M5*10 DIN 933		-
5	A449852	1	WIRE HARNESS OPTICONTROL		-
5.1	A438175	5	RELAY 12V/30A		-
6	A437343	1	ROCKER SWITCH OPTICONTROL		-

A455810 ANTI SLIP VALVE 700 & 800 SERIES



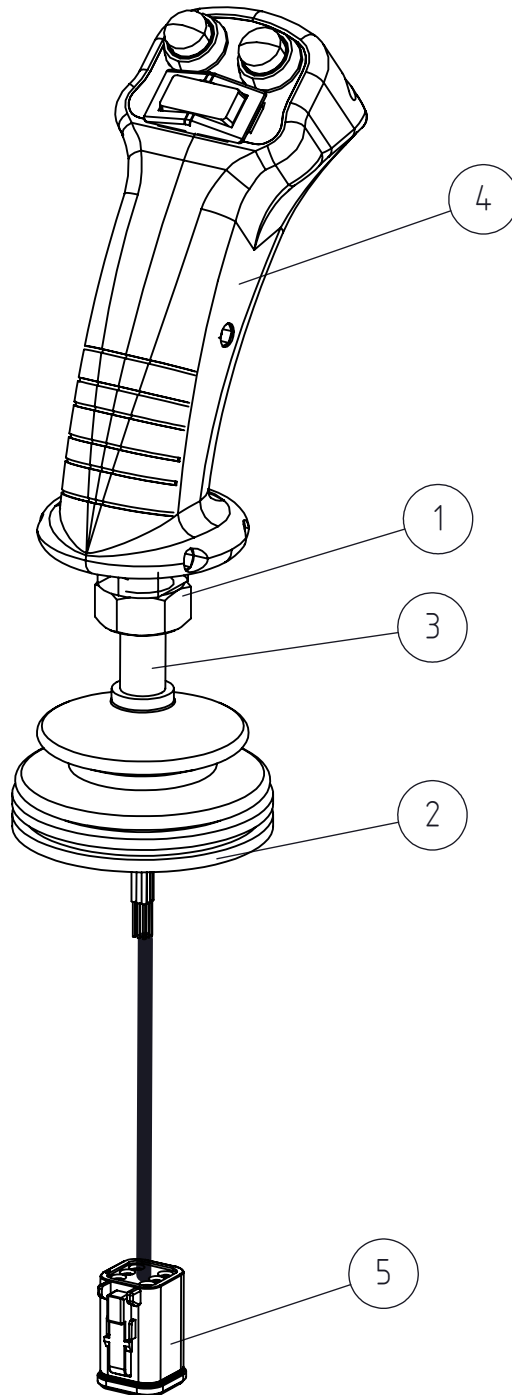
21.2.2024

A455810 ANTI SLIP VALVE 700 & 800 SERIES

REF	PART NO	QTY	DESCRIPTION	NOTES	PAGE
1	A451904	1	HYDRAULIC MANIFOLD ANTI SLIP VALVE		-
2	A435400	1	JOYSTICK 8 FUNCTION WITH ANTI SLIP		146
2.1	65406	1	PUSHBUTTON, RED, AUX. HYDR. JOYSTICK		-
2.2	65407	1	PUSHBUTTON, BLUE, JOYSTICK, AUX. HYDR.		-
2.3	65408	1	ROCKER SWITCH, BLACK, JOYSTICK		-
3	A410094	1	HYDR. HOSE L=350		-
4	A428736	1	HYDR. HOSE L=400		-
5	A454837	1	HYDR. HOSE L=265		-
6	64078	2	L-FITTING BODY R6XS10		-
7	64041	2	BASIC FITTING F40XS10-3/8 /8		-
8	64557	1	BANJO BOLT R 1/4"		-
9	73757	1	USIT COMPRESSION R1/4"		-
10	A462237	1	SEALING RING 18/13,25 H=3		-
11	64043	1	ELBOW FITTING 90° C6XS10		-
12	65644	1	ELBOW FITTING 45° V40XS10-1/4		-
13	A452931	8	HEXAGONAL HEAD SCREW M10*130 12.9		-
14	A450240	8	HEXAGONAL HEAD SCREW M10*90 12.9 DIN 912		-
15	A434424	8	SAFETY WASHER M10 3/8"		-

21.2.2024

A435400 JOYSTICK 8 FUNCTION WITH ANTI SLIP



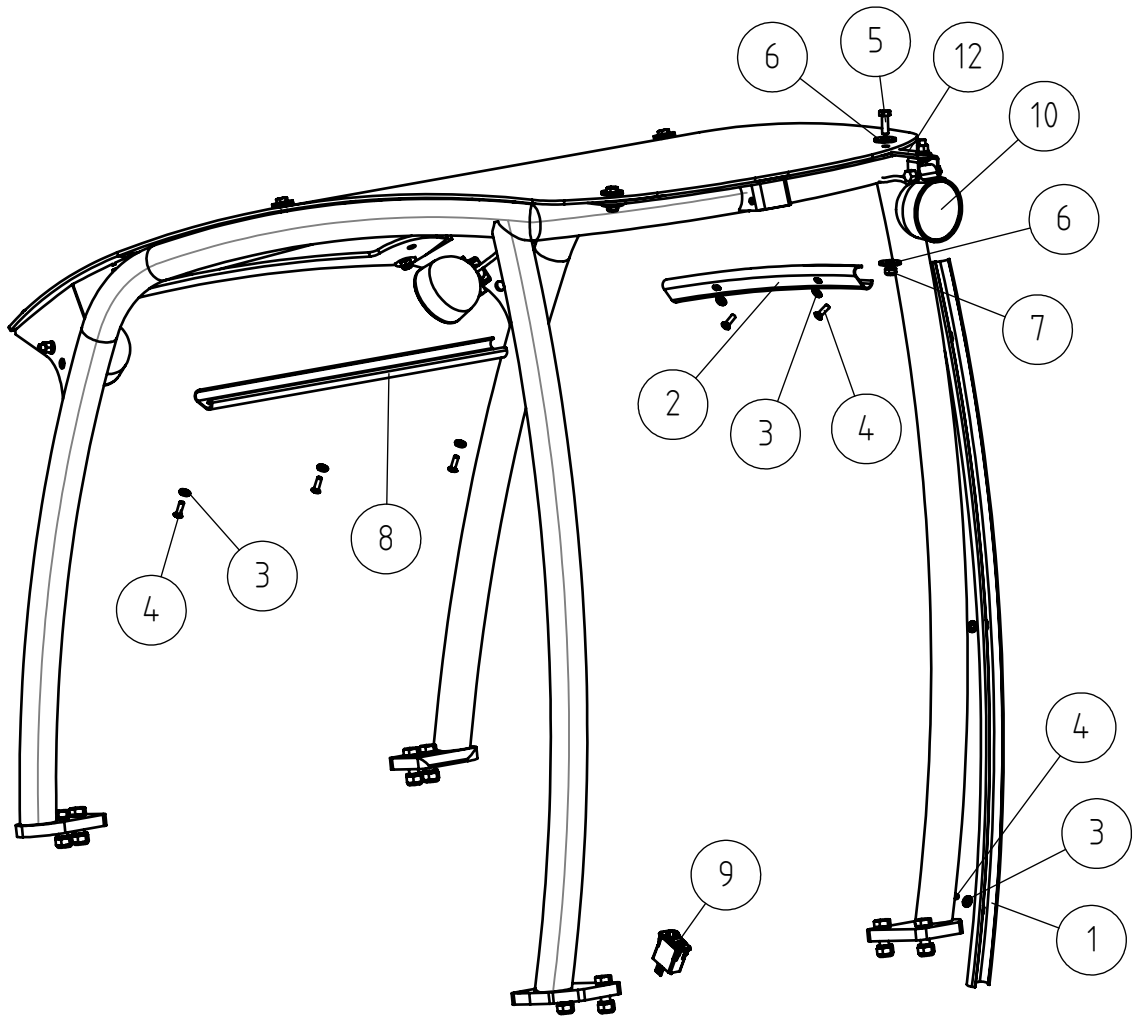
21.2.2024

A435400 JOYSTICK 8 FUNCTION WITH ANTI SLIP

REF	PART NO	QTY	DESCRIPTION	NOTES	PAGE
1	74676	1	HEXAGONAL NUT M 14*1,5 DIN 934 ZN		-
2	74327	1	RUBBER COVER, CONTROL LEVER, F12/56*40		-
3	A410614	1	BRACKET ROD, CONTROL LEVER		-
4	65262	1	JOYSTICK HANDLE 8-FUNC WITH ANTI SLIP SW		-
5	A426057	1	CONNECTOR PLUG 6 PIN DT06-6S DEUTSCH		-
-	65406	1	PUSHBUTTON, RED, AUX. HYDR. JOYSTICK		-
-	65407	1	PUSHBUTTON, BLUE, JOYSTICK, AUX. HYDR.		-
-	65408	1	ROCKER SWITCH, BLACK, JOYSTICK		-

21.2.2024

A438667 WORK LIGHT KIT, 3 LED LIGHTS 700 LUMEN

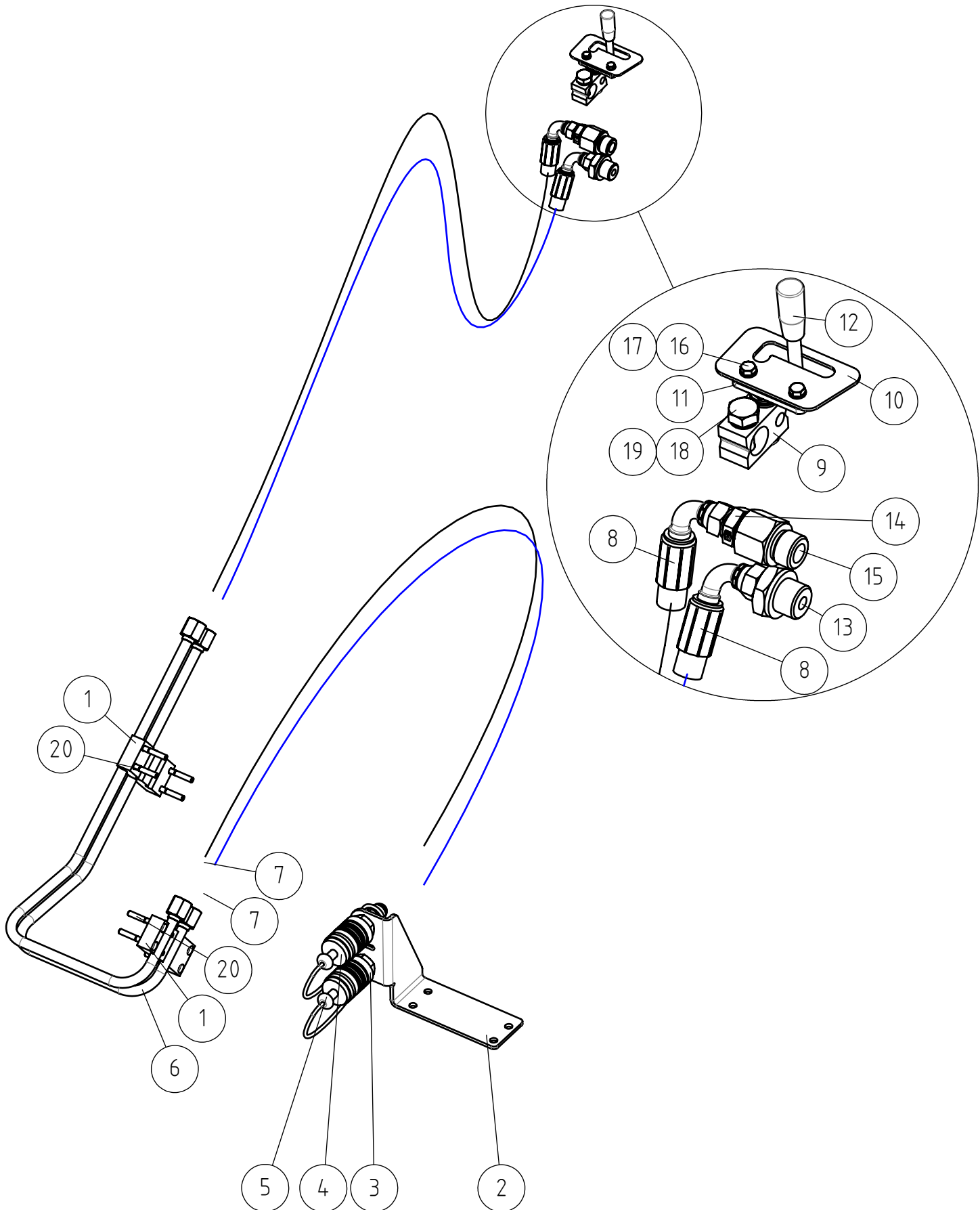


21.2.2024

A438667 WORK LIGHT KIT, 3 LED LIGHTS 700 LUMEN

REF	PART NO	QTY	DESCRIPTION	NOTES	PAGE
1	A49080	1	COVER STRIP, SIDE		-
2	A49079	1	COVER STRIP, MIDDLE		-
3	74768	8	WASHER CONICAL M6		-
4	74767	8	RAISED COUNTERSUNK HEAD SCREW M6*20		-
5	72132	1	HEXAGONAL SCREW M 8*25 DIN 933 ZN		-
6	71685	2	WASHER M8 R9 DIN 440 ZN		-
7	72320	1	HEXAGONAL NUT M8 NYLOC DIN 985		-
8	A49077	1	COVER STRIP, UPPER		-
9	65066	1	SWITCH, WORK LIGHT		-
10*	66068	3	WORK LIGHT LED 700 LUMEN 12V/12W COBO	700 lumen	-
10**	A419163	3	WORK LIGHT LED 2500 LUMEN WITH CONNECTOR	2500 lumen	-
11	A437372	1	WIRE HARNESS WORK LIGHT KIT / BEACON		-
12	A412802	1	MOUNTING BRACKET WORK LIGHT LED		-

A450468 EXTRA AUX. HYDRAULICS OUTLET FRONT,

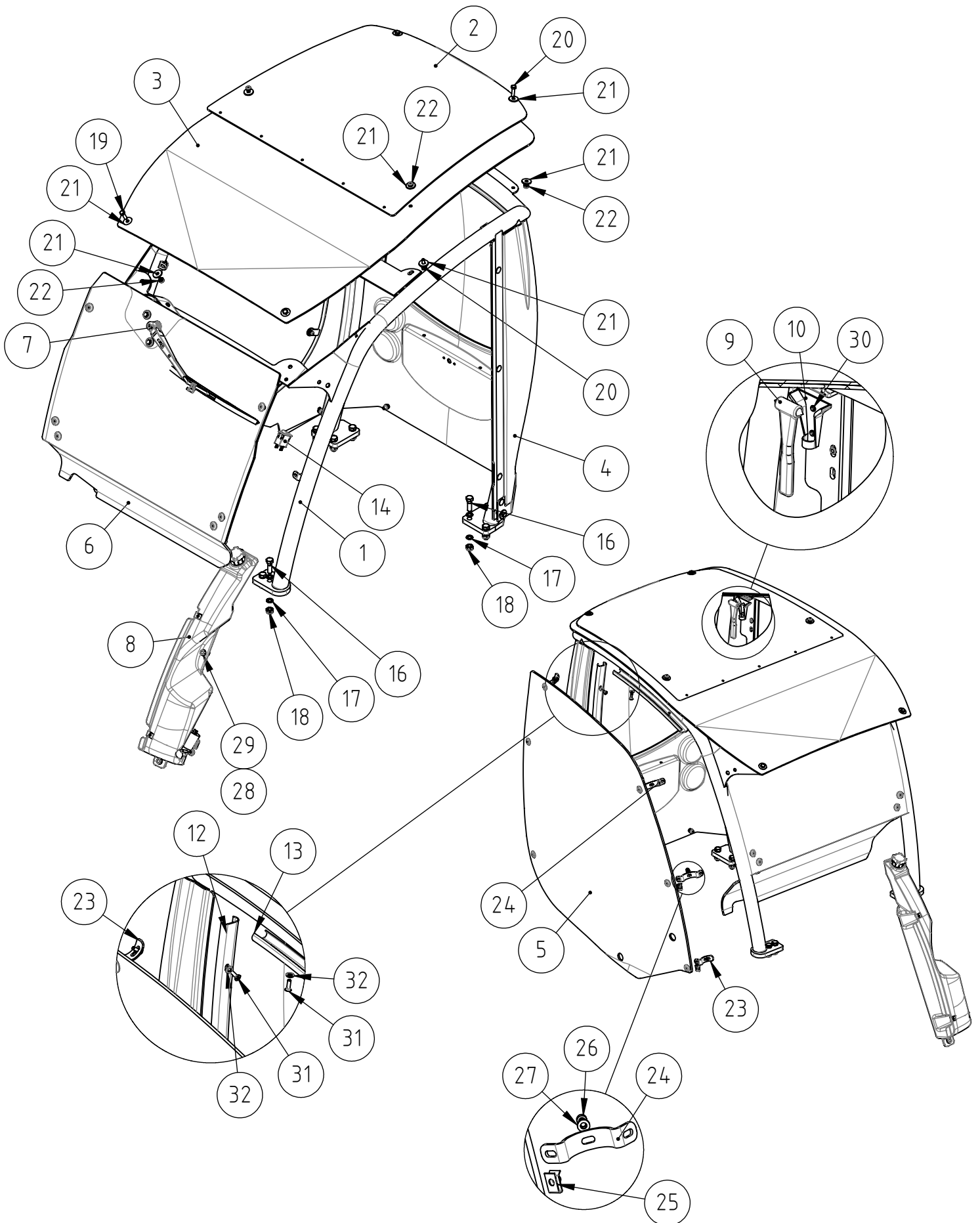


21.2.2024

A450468 EXTRA AUX. HYDRAULICS OUTLET FRONT,

REF	PART NO	QTY	DESCRIPTION	NOTES	PAGE
1	A414870	2	PIPE CLAMP F12		-
2	A422154	1	MOUNTING PLATE, QUICK COUPLERS EXTRA		-
3	64190	2	QUICK COUPLING PART 1/2" 2V54-T5X4 FEMAL		-
4	73754	1	RUBBER PLUG 1/2", TO FEMALE QUICK COUPLE		-
5	65566	1	RUBBER PLUG BLUE 1/2", QUICK COUPLING		-
6	A414928	2	HYDRAULIC TUBE F12		-
7	A414877	2	HYDR. HOSE L=1300		-
8	A47638	2	HYDR. HOSE L=1610 2LW-06		-
9	A436758	1	CONTROL LEVER REAR AUX. HYDRAULICS,		-
10	A441528	1	LOCKING PLATE CONTROL LEVER AUXILIARY		-
11	A48360	1	LOCKING PIECE		-
12	74761	1	KNOB, CONTROL LEVER		-
13	64040	1	BASIC FITTING F40XS10-1/2 /2		-
14	64041	1	BASIC FITTING F40XS10-3/8 /8		-
15	73958	1	REDUCER FITTING RI 1/2" - EDX 3/8"		-
16	72110	2	HEX. SCREW M5*16 DIN 933		-
17	74448	2	WASHER M5 A5,3 DIN 125 ZN		-
18	72151	1	HEXAGONAL SCREW M10*30 DIN 933 ZN		-
19	74531	1	SPACER NORDLOCK M10, PAIR		-
20	74438	8	HEXAGONAL HEAD SCREW M6*40 DIN 912		-

A449937 CAB L



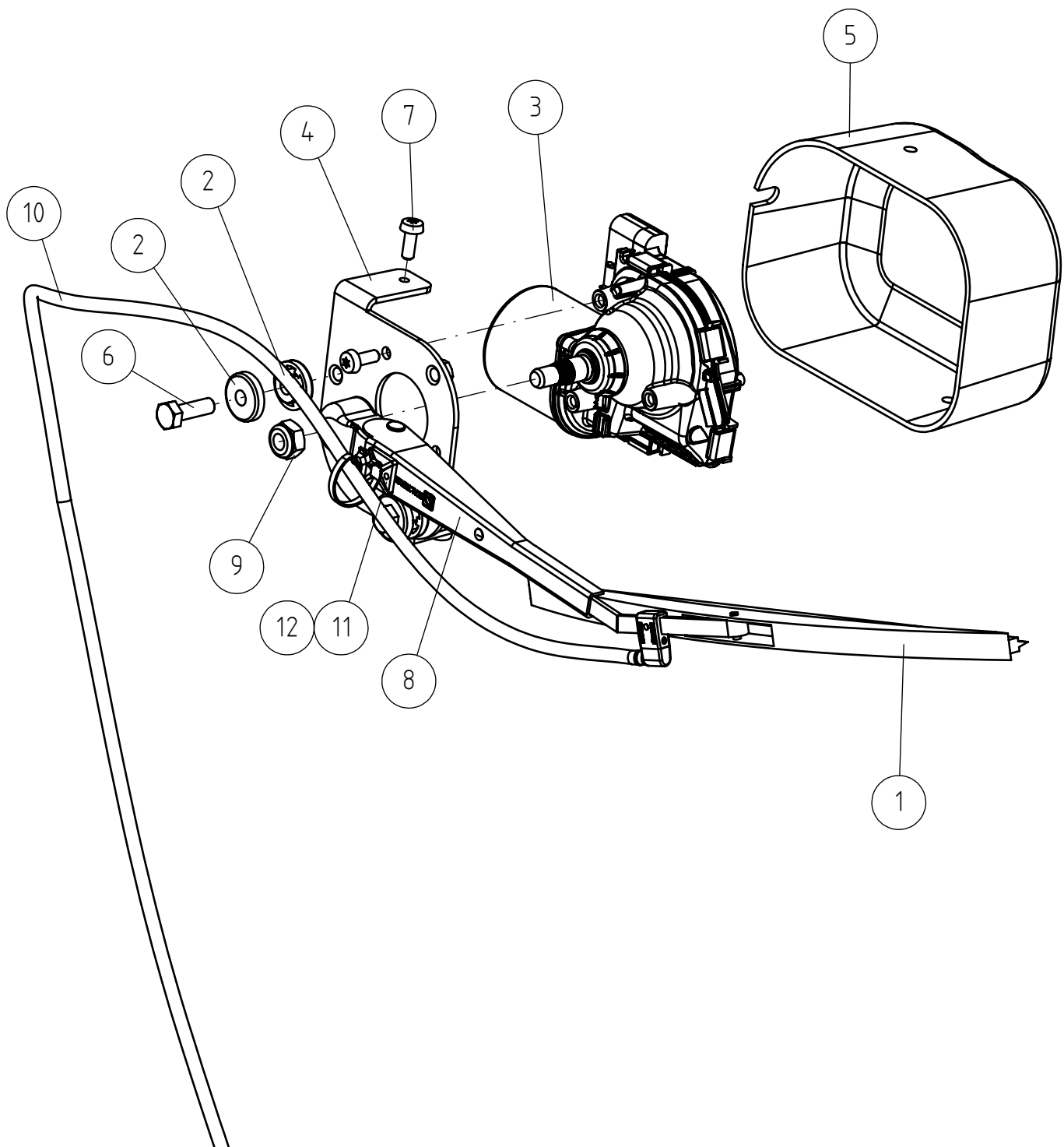
21.2.2024

A449937 CAB L

REF	PART NO	QTY	DESCRIPTION	NOTES	PAGE
1	A33920	1	ROPS FRAME 1090 MM 600/700 SERIES		-
2	A48905	1	FOPS CANOPY PLATE 500/600/700		-
3	A410091	1	CANOPY, POLYCARBONATE		-
4	A49446	1	REAR WALL WITH WINDOW 500/600/700/R/E		-
5	A49451	1	WINDOW, RIGHT, COMPLETE, CAB L 500-700		-
6	A443961	1	WINDSCREEN ASSEMBLY CAB L 500/600/700/E		-
7	A443979	1	WINDSCREEN WIPER ASSEMBLY CAB L 523-7601		154
8	A446010	1	TANK ASSEMBLY WINDSCREEN WASHER		156
9	64986	1	EMERGENCY HAMMER HAPPICH RED		-
10	A432729	1	BRACKET, EMERGENCY HAMMER 64986		-
11	A411021	1	DECAL "EMERGENCY EXIT"		-
12	A49080	1	COVER STRIP, SIDE		-
13	A49079	1	COVER STRIP, MIDDLE		-
14	65063	1	SWITCH, WIPER/WASHER		-
15	A441037	1	WIRE HARNESS CAB L AVANT 700-800		-
16	73322	10	HEXAGONAL SCREW M12*40 DIN 931		-
17	74532	20	WASHER NORDLOCK NL12		-
18	72324	10	HEXAGONAL NUT M 12 NYLOC DIN 985		-
19	72132	2	HEXAGONAL SCREW M 8*25 DIN 933 ZN		-
20	72133	4	HEXAGONAL SCREW M8*30 DIN 933		-
21	71685	12	WASHER M8 R9 DIN 440 ZN		-
22	72320	6	HEXAGONAL NUT M8 NYLOC DIN 985		-
23	A49699	4	MOUNTING BRACKET ONE SIDED		-
24	A49698	2	MOUNTING BRACKET TWO SIDED		-
25	75172	4	SPEED NUT M5 FOR 0.5-4.0 MM PLATE		-
26	73766	6	HEXAGONAL HEAD SCREW M6*16 DIN 912 2 8.8		-
27	71680	6	WASHER M6 DIN 125		-
28	A450046	2	HEXAGONAL NUT M8 WITH FLANGE		-
29	A429202	2	HEXAGONAL SERRATED SCREW M8*25 WITH FLAN		-
30	A429345	2	PAN HEAD MACHINE SCREW M4*10		-
31	74767	5	RAISED COUNTERSUNK HEAD SCREW M6*20		-
32	74768	5	WASHER CONICAL M6		-

21.2.2024

A443979 WINDSCREEN WIPER ASSEMBLY CAB L 523-760I

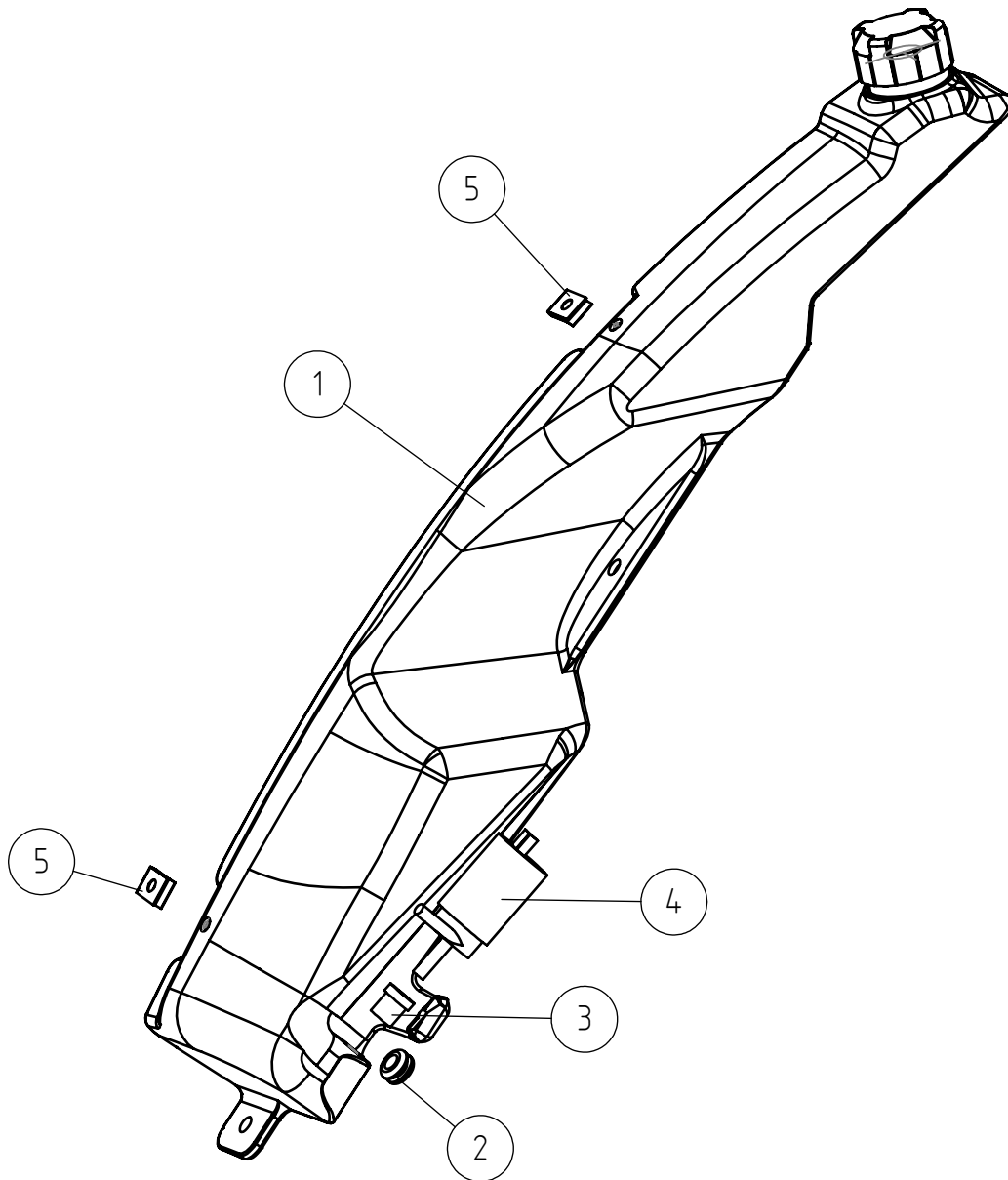


21.2.2024

A443979 WINDSCREEN WIPER ASSEMBLY CAB L 523-760I

REF	PART NO	QTY	DESCRIPTION	NOTES	PAGE
1	A440135	1	WIPER BLADE L=400MM		-
2	A441784	4	BUSHING PLASTIC D16,9/D8 - L8,1		-
3	A446829	1	ELECTRIC MOTOR PROGRAMMED WINDSCREEN		-
4	A440457	1	BRACKET MOTOR WINDSCREEN WIPER		-
5	A440716	1	COVER MOTOR WINDSCREEN WIPER		-
6	A427795	2	HEXAGONAL SCREW M8*25 DIN 933 8.8		-
7	A437544	4	THREAD-FORMING SCREW BLACK M6*16 DIN		-
8	A443799	1	ARM, WINDSCREEN WIPER M10 L=302 WITH		-
9	72322	1	HEXAGONAL NUT M 10 NYLOC DIN 985		-
10	A460684	1	HOSE WINDSCREEN WASHER CAB L		-
11	A455710	1	SOCKET ADHESIVE 19X19 CABLE TIE		-
12	A431459	1	CABLE TIE 3,6*281 BLACK		-

A446010 TANK ASSEMBLY WINDSCREEN WASHER



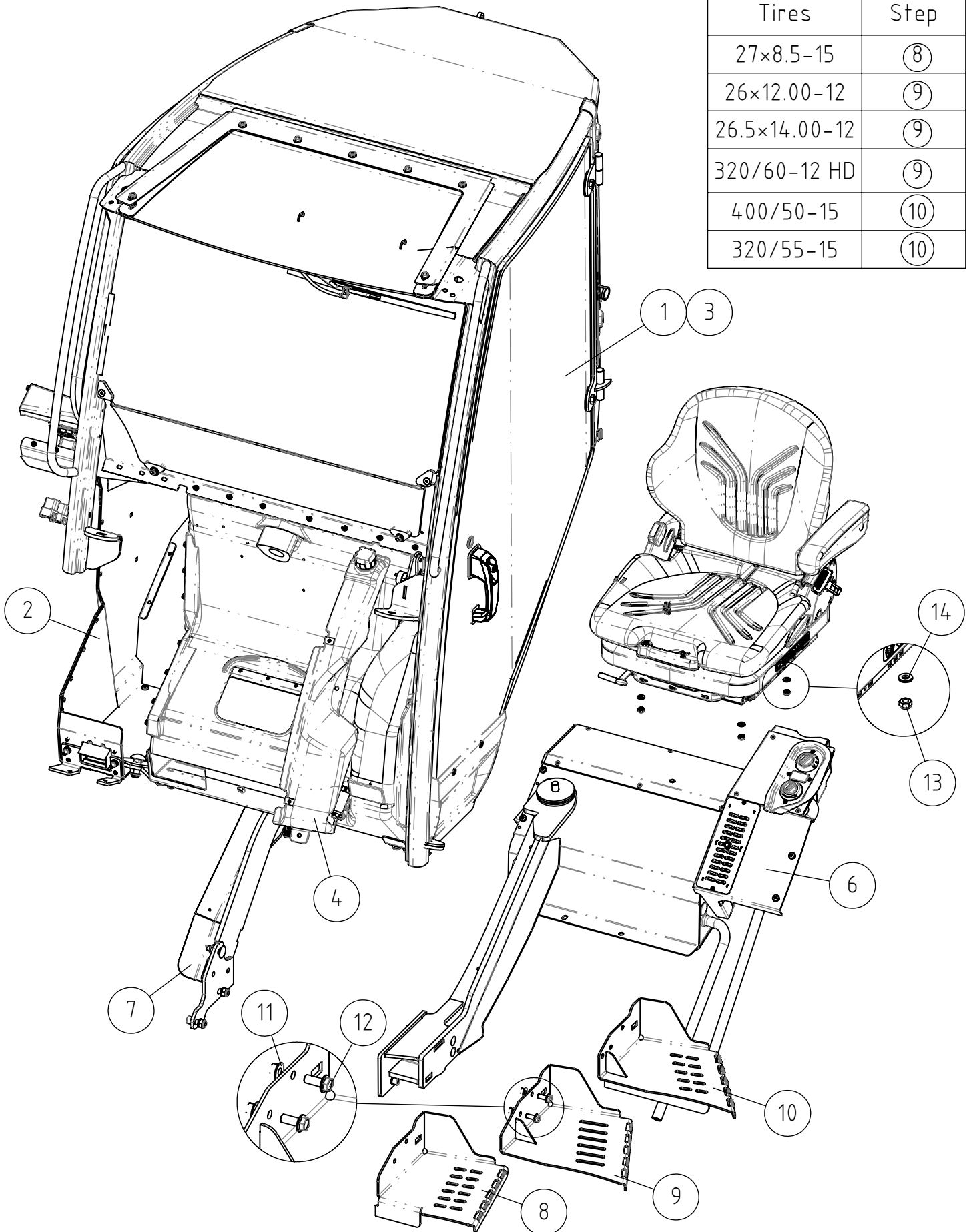
21.2.2024

A446010 TANK ASSEMBLY WINDSCREEN WASHER

REF	PART NO	QTY	DESCRIPTION	NOTES	PAGE
1	A450244	1	TANK WITH CAP WINDSCREEN WASHER		-
2	64865	1	GROMMET F18/12/9,51-3		-
3	64991	1	GROMMET F18/14/6, H14/H5 ,2012306		-
4	65017	1	PUMP 12V, WINDSCREEN WASHER		-
5	74807	2	SPEED NUT M6, FOR 0.5-4.0 MM PLATE		-

A444539 CAB GT, 700 SERIES

Tires	Step
27×8.5-15	⑧
26×12.00-12	⑨
26.5×14.00-12	⑨
320/60-12 HD	⑨
400/50-15	⑩
320/55-15	⑩



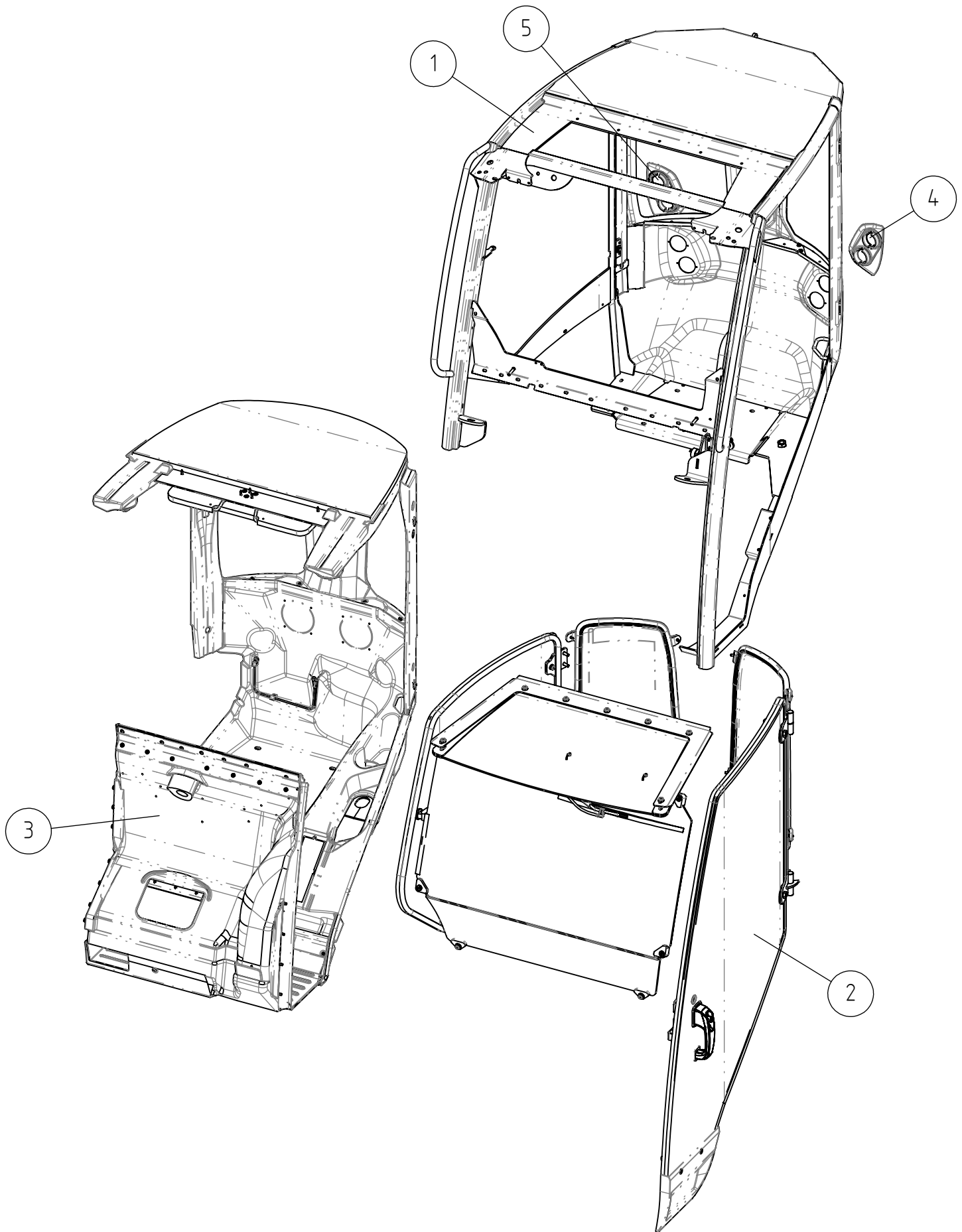
21.2.2024

A444539 CAB GT, 700 SERIES

REF	PART NO	QTY	DESCRIPTION	NOTES	PAGE
1	A453487	1	BASIC PARTS CAB GT		160
2	A448127	1	CONTROLS ASSEMBLY CAB GT		200
3	A445920	1	WIRE HARNESS CAB GT TWIN FANS A/C		-
4	A446010	1	TANK ASSEMBLY WINDSCREEN WASHER		156
5	A449724	1	SEAT FULL SUSPENSION FABRIC HEATER MSG65		206
6	A438246	1	HEATER ASSEMBLY CAB GT		208
7	A442729	1	SUBFRAME ASSEMBLY CAB GT 500-700 SERIES		210
8	A449935	1	STEP CAB GT 27X8.50-15 WHEELS		-
9	A451964	1			-
10	A451536	1	STEP CAB GT		-
11	A453082	2	HEXAGONAL NUT M10 DIN 6923		-
12	A432195	2	HEXAGONAL SERRATED SCREW M10*25 W. FLANG		-
13	72320	4	HEXAGONAL NUT M8 NYLOC DIN 985		-
14	63944	4	WASHER, PAIR, NORD-LOCK M8		-

21.2.2024

A453487 BASIC PARTS CAB GT



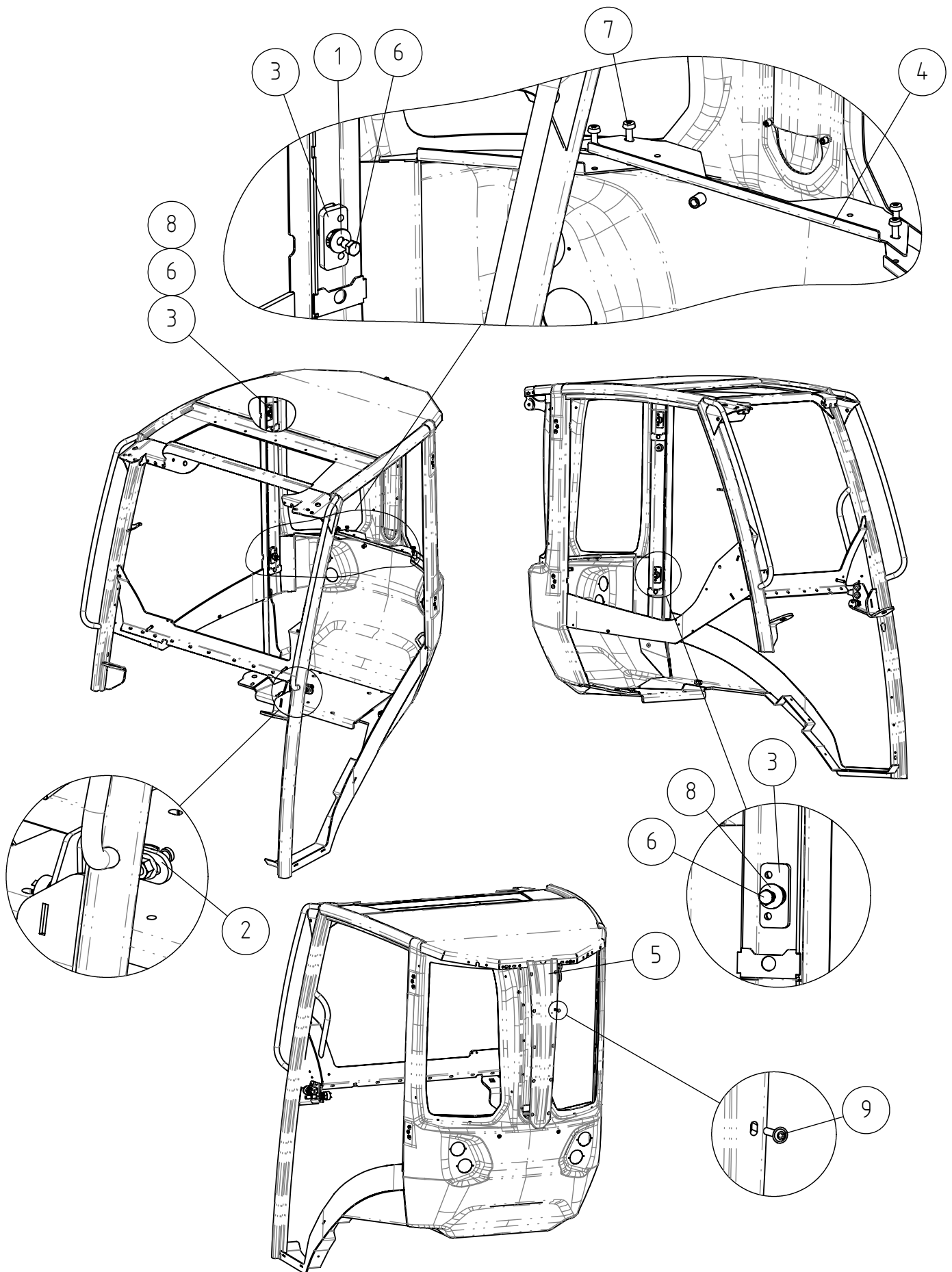
21.2.2024

A453487 BASIC PARTS CAB GT

REF	PART NO	QTY	DESCRIPTION	NOTES	PAGE
1	A448117	1	FRAME CAB GT		162
2	A453483	1	DOOR AND WINDOWS ASSEMBLY CAB GT		166
3	A453489	1	UPHOLSTERY ASSEMBLY CAB GT		180
4	A438151	1	FRAME LEFT REAR LIGHTS CAB GT		-
5	A438155	1	FRAME RIGHT REAR LIGHTS CAB GT		-

21.2.2024

A448117 FRAME CAB GT



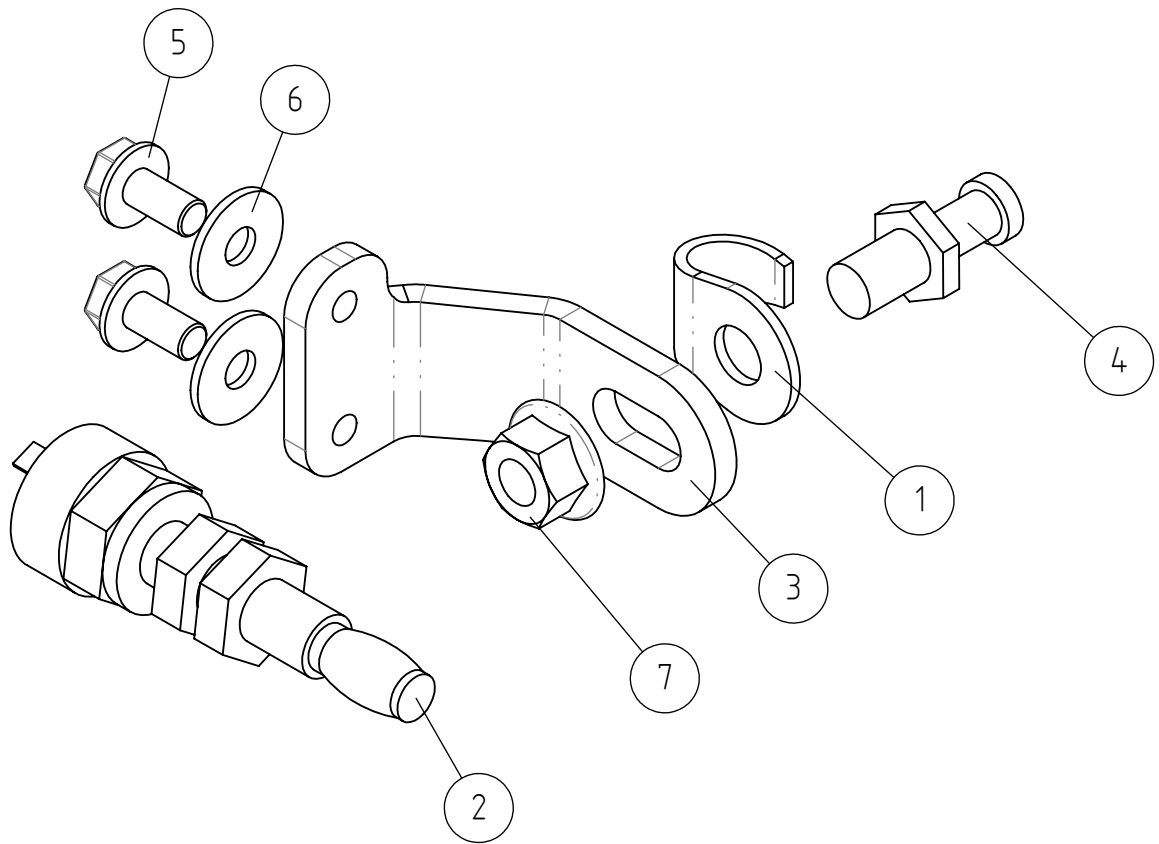
21.2.2024

A448117 FRAME CAB GT

REF	PART NO	QTY	DESCRIPTION	NOTES	PAGE
1	A448118	1	FRAME CAB GT		-
2	A438895	1	LATCH ASSEMBLY		164
3	A435904	4	SPACER PLATE DOOR CAB GT		-
4	A434179	1	MOUNTING BRACKET		-
5	A438890	1	COVER C-PILLAR ASSEMBLY CAB GT		-
6	72128	4	HEXAGONAL SCREW M 8*12 DIN 933 ZN		-
7	75129	4	THREAD-FORMING SCREW M6*16 DIN 7500C		-
8	A435941	4	WASHER M8 DIN 9021 Ø8,4/Ø24 -2 ZN		-
9	A465528	10	THREAD-FORMING SCREW M4*20 10.9 BLACK		-

21.2.2024

A438895 LATCH ASSEMBLY



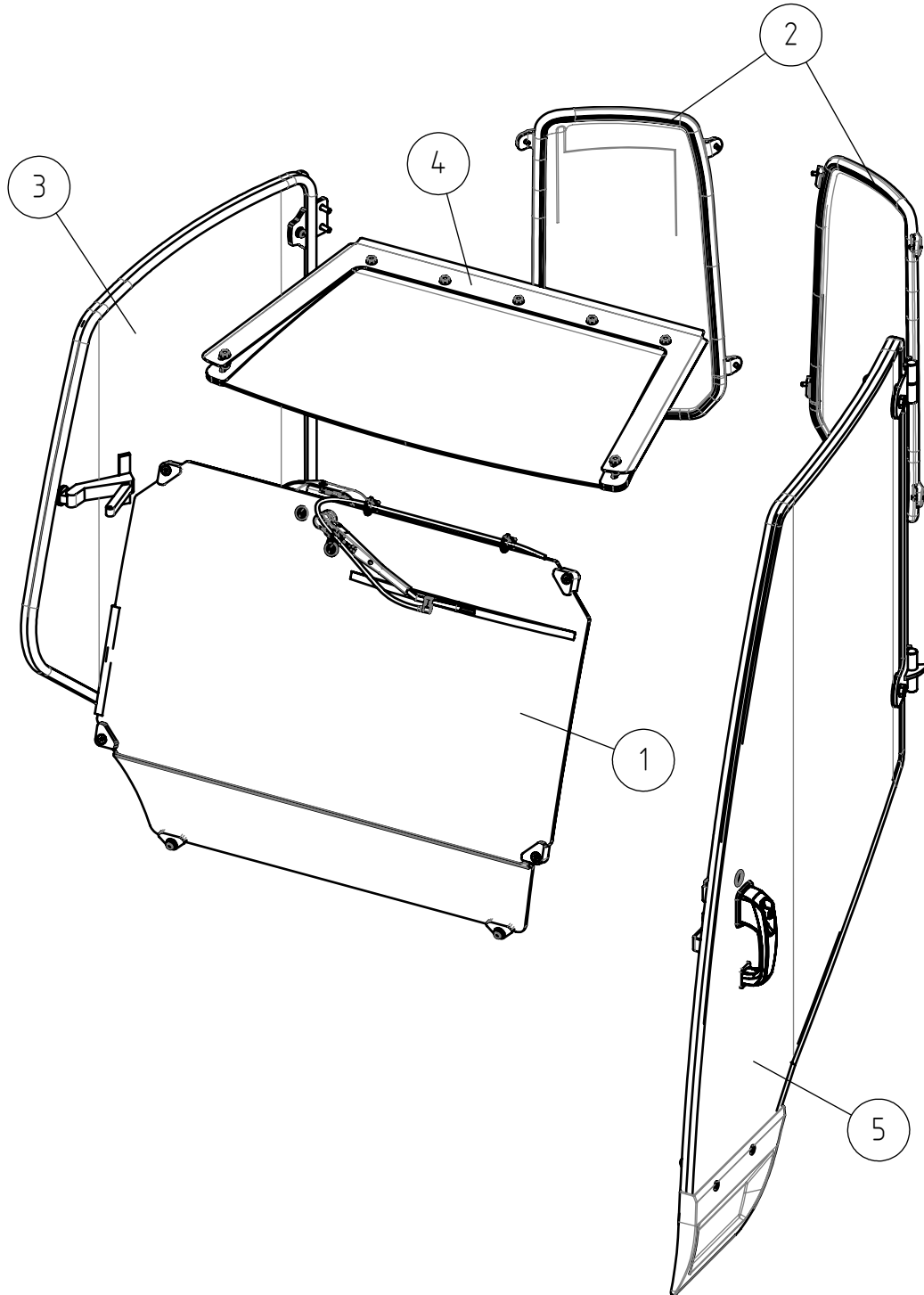
21.2.2024

A438895 LATCH ASSEMBLY

REF	PART NO	QTY	DESCRIPTION	NOTES	PAGE
1	64980	1	GUIDE PLATE, LOCK		-
2	65665	1	DOOR SWITCH, CAB		-
3	A434306	1	LATCH DOOR CAB GT		-
4	64979	1	PIN, DOOR LOCK		-
5	A429200	2	HEXAGONAL SERRATED SCREW M8*16 WITH		-
6	A435941	2	WASHER M8 DIN 9021 Ø8,4/Ø24 -2 ZN		-
7	A450048	1	HEXAGONAL NUT M12 WITH FLANGE		-

21.2.2024

A453483 DOOR AND WINDOWS ASSEMBLY CAB GT



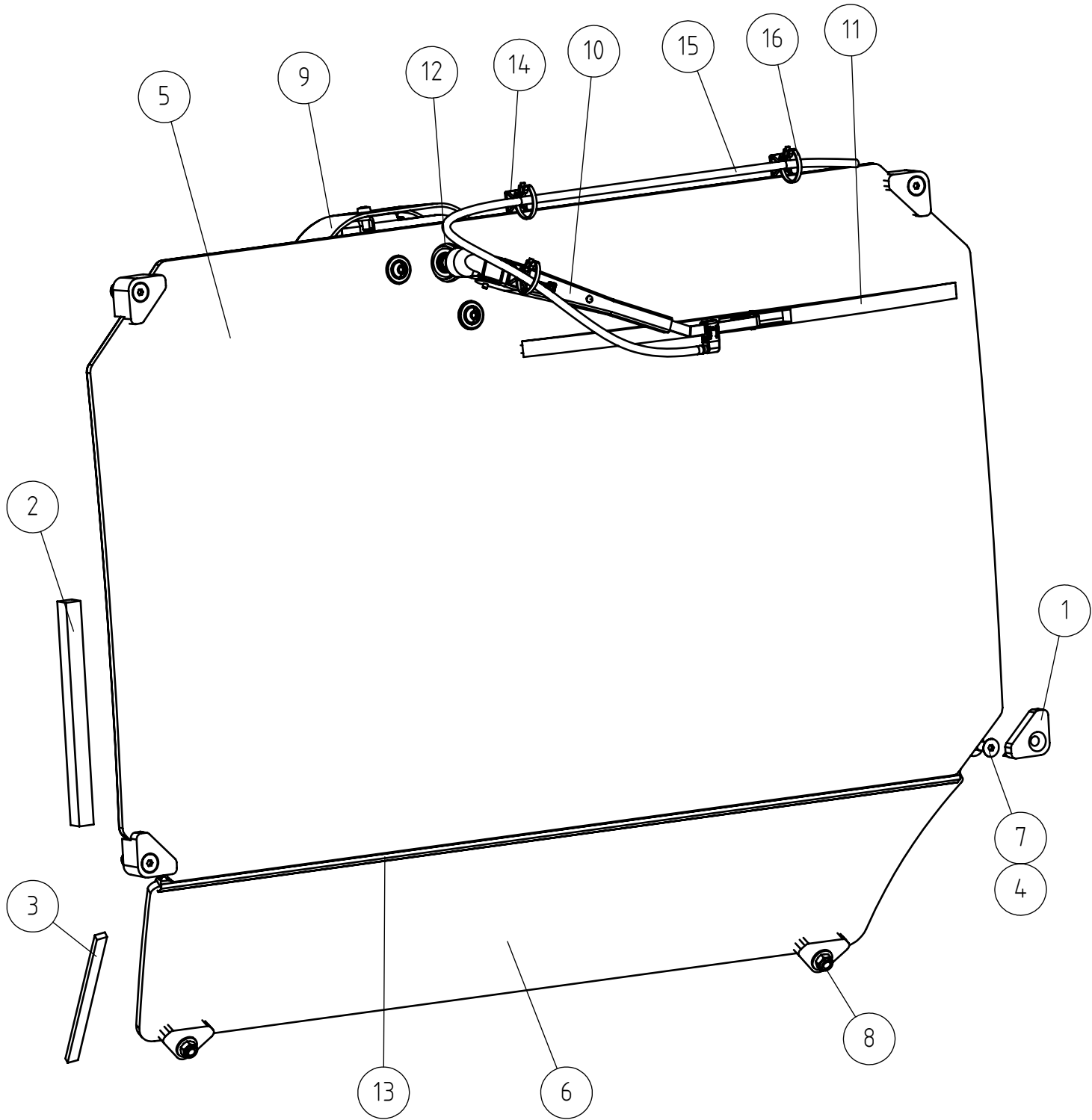
21.2.2024

A453483 DOOR AND WINDOWS ASSEMBLY CAB GT

REF	PART NO	QTY	DESCRIPTION	NOTES	PAGE
1	A445896	1	WINDSCREEN ASSEMBLY CAB GT		168
2	A436771	1	REAR WINDOWS CAB GT		172
2.1	A434932	1	REAR WINDOW LEFT CAB GT		-
2.2	A434114	1	REAR WINDOW RIGHT CAB GT		-
2.3	A435250	4	BRACKET OUTSIDE REAR WINDOW CAB GT		-
2.4	A435251	4	BRACKET INSIDE REAR WINDOW CAB GT		-
2.5	A436768	2	SEAL REAR WINDOW CAB GT		-
3	A434952	1	WINDOW RIGHT ASSEMBLY CAB GT		174
4	A436900	1	SUNROOF ASSEMBLY CAB GT		176
4.1	A434638	1	SUNROOF PLATE CAB GT		-
4.2	A436903	1	SEAL SUNROOF CAB GT		-
5	A434950	1	DOOR ASSEMBLY CAB GT		178

21.2.2024

A445896 WINDSCREEN ASSEMBLY CAB GT

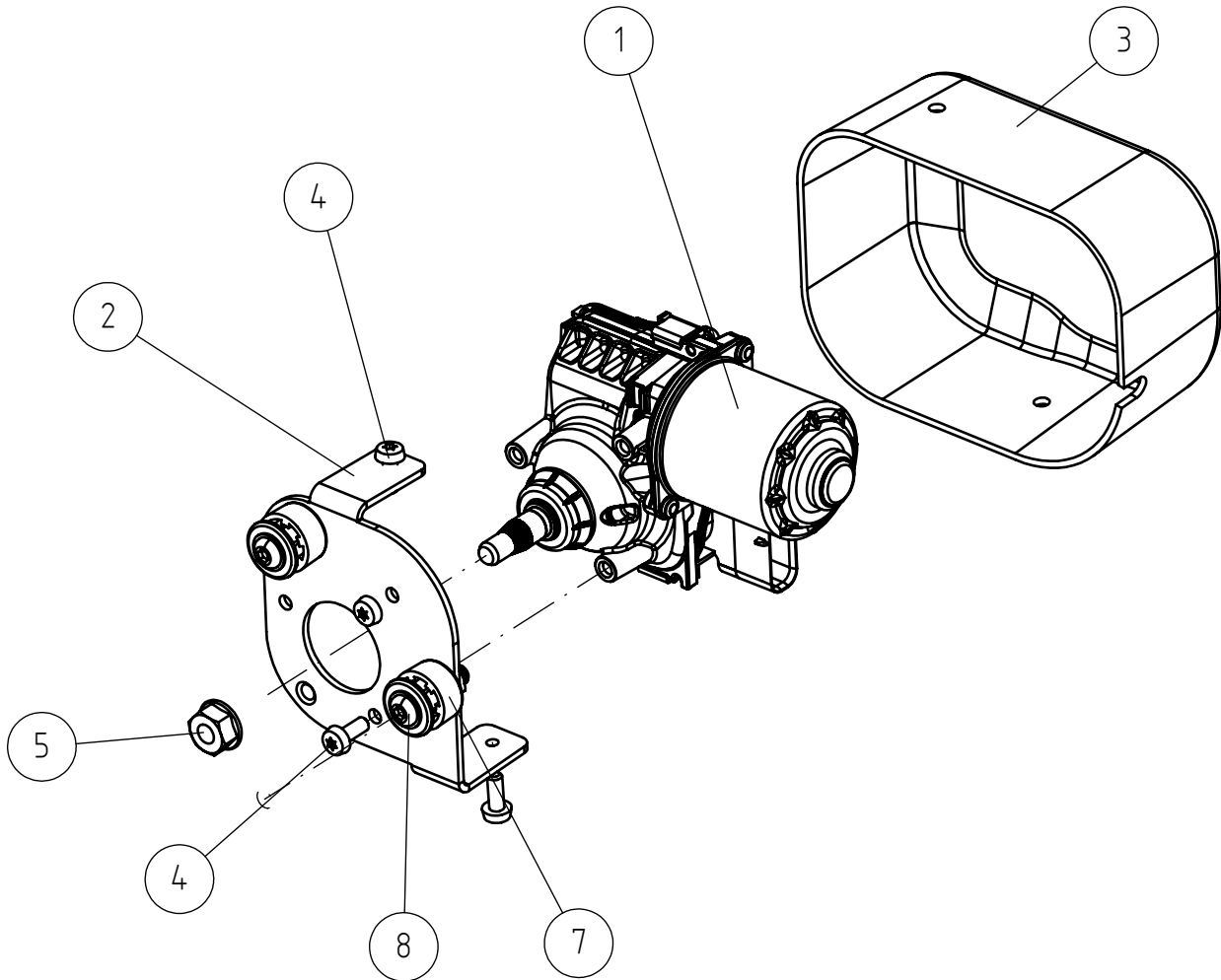


21.2.2024

A445896 WINDSCREEN ASSEMBLY CAB GT

REF	PART NO	QTY	DESCRIPTION	NOTES	PAGE
1	A412362	6	BRACKET, WINDSCREEN		-
2	A413839	1	WEATHER STRIP, WINDSCREEN, CAB DLX		-
3	A413848	1	WEATHER STRIP, WINDSCREEN SMALL, CAB DLX		-
4	74525	6	WASHER M8 8,4*20*1,25 ZN		-
5	A445897	1	WINDSCREEN CAB 500-700 SERIES		-
6	A434100	1	WINDSCREEN, LOWER, SMALL, CAB GT		-
7	75039	4	HEXAG. COUNTERSUNK HEAD SCREW M8*40		-
8	72320	6	HEXAGONAL NUT M8 NYLOC DIN 985		-
9	A449928	1	WINDSCREEN WIPER ASSEMBLY CAB GT		170
10	A443799	1	ARM, WINDSCREEN WIPER M10 L=302 WITH		-
11	65170	1	WIPER BLADE DOGA		-
12	A445904	1	SEAL MOTOR WINDSCREEN WIPER		-
13	A452085	1	WEATHER STRIP BETWEEN WINDSCREENS CAB GT		-
14	A455710	3	SOCKET ADHESIVE 19X19 CABLE TIE		-
15	A456336	1	HOSE WINDSCREEN WASHER CAB GT		-
16	A431459	3	CABLE TIE 3,6*281 BLACK		-

A449928 WINDSCREEN WIPER ASSEMBLY CAB GT



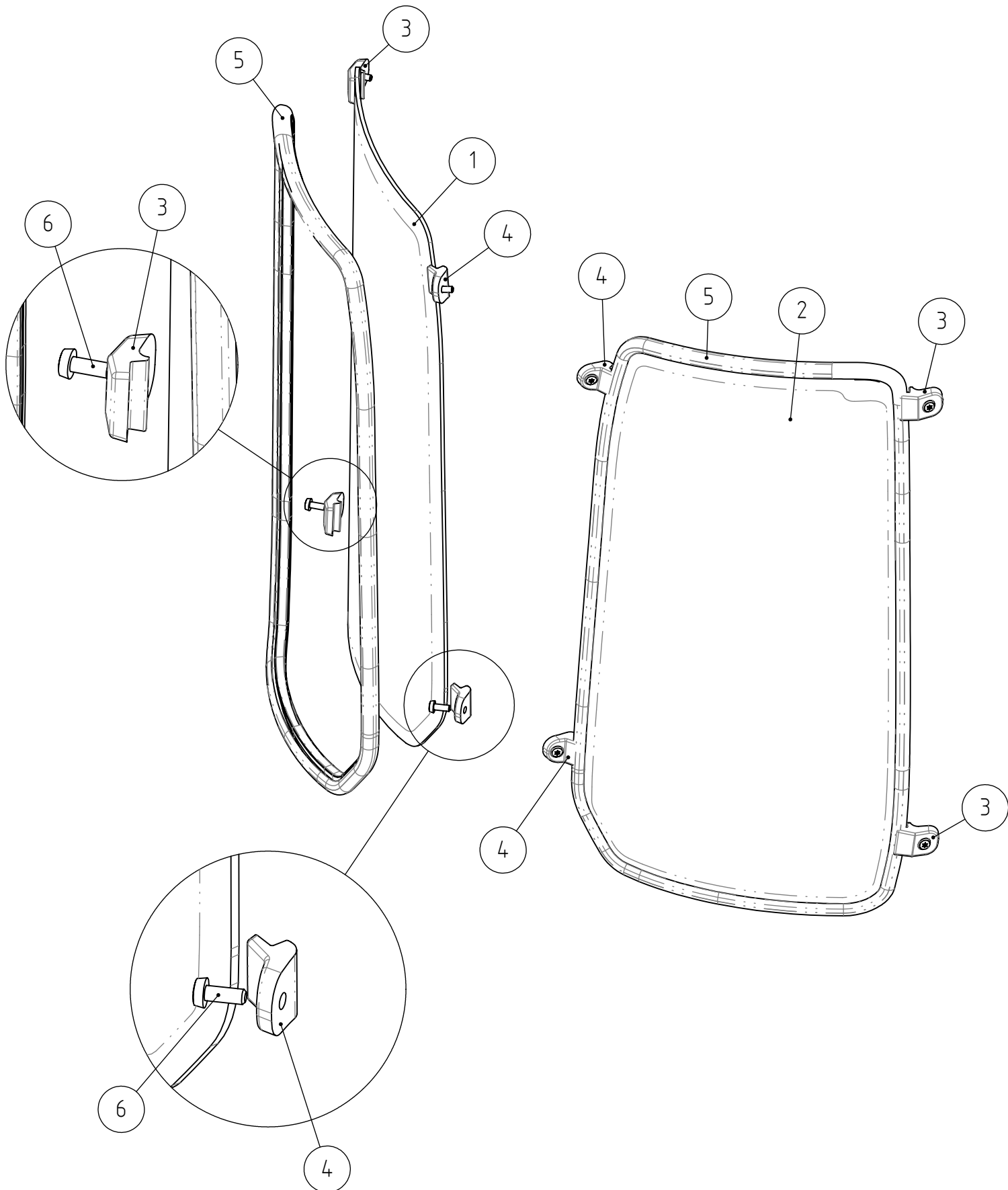
21.2.2024

A449928 WINDSCREEN WIPER ASSEMBLY CAB GT

REF	PART NO	QTY	DESCRIPTION	NOTES	PAGE
1	A444058	1	ELECTRIC MOTOR PROGRAMMED WINDSCREEN		-
2	A440457	1	BRACKET MOTOR WINDSCREEN WIPER		-
3	A440716	1	COVER MOTOR WINDSCREEN WIPER		-
4	A437544	4	THREAD-FORMING SCREW BLACK M6*16 DIN		-
5	74783	1	HEXAGONAL NUT M10 WITH FLANGE		-
6	A446546	2	BUSHING PLASTIC D16,9/D8 - L5,4		-
7	A446547	2	BUSHING PLASTIC D16,9/D8 - L15,3		-
8	A449933	2	HEXAGONAL HEAD SCREW M8*35 10.9		-

21.2.2024

A436771 REAR WINDOWS CAB GT



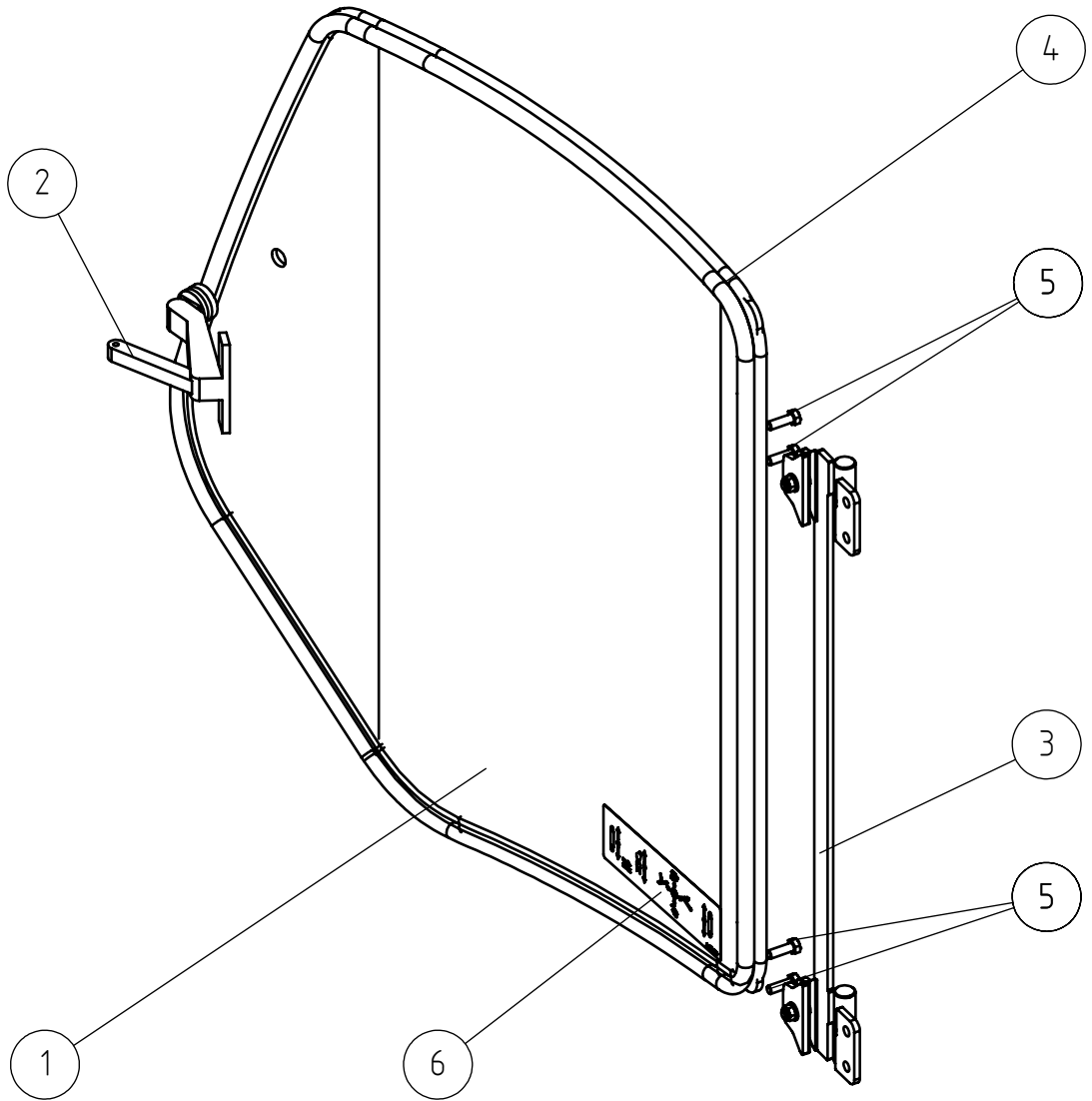
21.2.2024

A436771 REAR WINDOWS CAB GT

REF	PART NO	QTY	DESCRIPTION	NOTES	PAGE
1	A434932	1	REAR WINDOW LEFT CAB GT		-
2	A434114	1	REAR WINDOW RIGHT CAB GT		-
3	A435250	4	BRACKET OUTSIDE REAR WINDOW CAB GT		-
4	A435251	4	BRACKET INSIDE REAR WINDOW CAB GT		-
5	A436768	2	SEAL REAR WINDOW CAB GT		-
6	75129	8	THREAD-FORMING SCREW M6*16 DIN 7500C		-
-	A434932	1	REAR WINDOW LEFT CAB GT		-
-	A434114	1	REAR WINDOW RIGHT CAB GT		-
-	A435250	4	BRACKET OUTSIDE REAR WINDOW CAB GT		-
-	A435251	4	BRACKET INSIDE REAR WINDOW CAB GT		-
-	A436768	2	SEAL REAR WINDOW CAB GT		-

21.2.2024

A434952 WINDOW RIGHT ASSEMBLY CAB GT



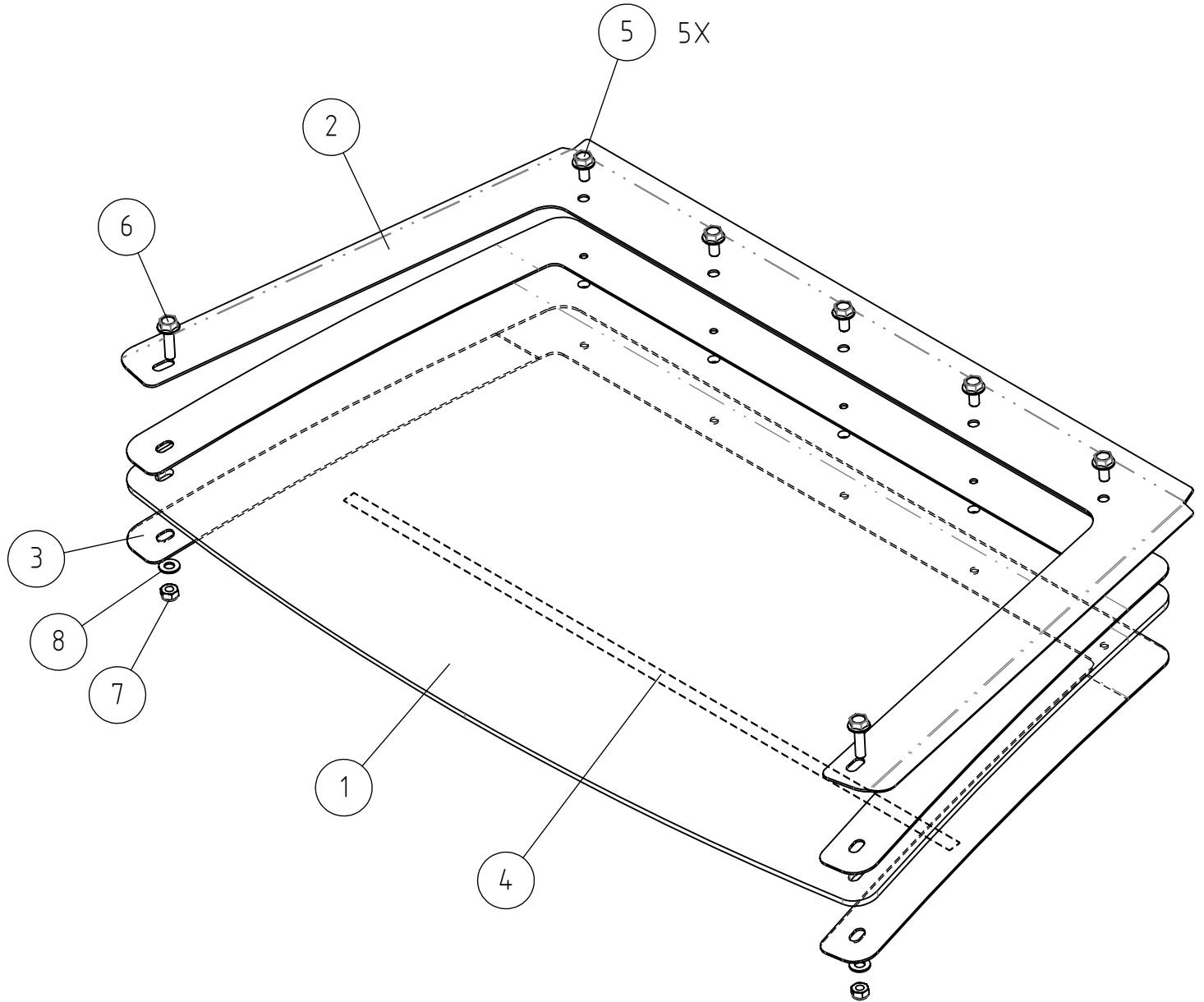
21.2.2024

A434952 WINDOW RIGHT ASSEMBLY CAB GT

REF	PART NO	QTY	DESCRIPTION	NOTES	PAGE
1	A411820	1	WINDOW, RIGHT, CAB DLX & GT		-
2	64983	1	HANDLE, WINDOW RIGHT, CAB 600 SERIES		-
2.1	66026	1	RELEASE PIN, OPENING MECHANISM WINDOW		-
3	A434953	1	BRACKET ASSEMBLY SIDE WINDOW CAB		-
4	A413843	1	WEATHER STRIP, SIDE WINDOW, CAB DLX		-
5	72132	4	HEXAGONAL SCREW M 8*25 DIN 933 ZN		-
6	A441320	1	DECAL CONTROLS CAB GT RIGHT WINDOW		-

21.2.2024

A436900 SUNROOF ASSEMBLY CAB GT



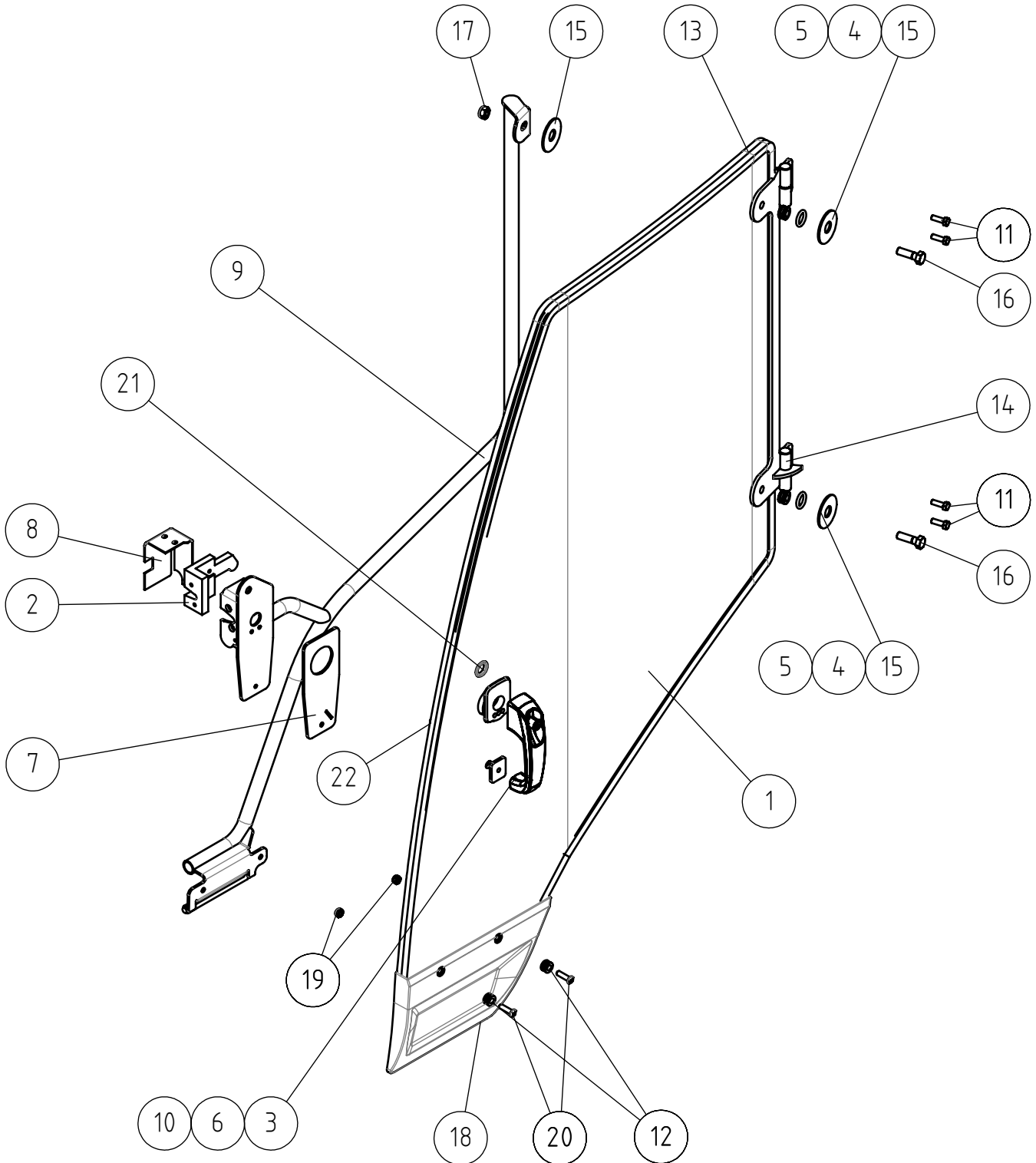
21.2.2024

A436900 SUNROOF ASSEMBLY CAB GT

REF	PART NO	QTY	DESCRIPTION	NOTES	PAGE
1	A434638	1	SUNROOF PLATE CAB GT		-
2	A434637	1	FRAME SUNROOF PLATE CAB GT		-
3	A436903	2	SEAL SUNROOF CAB GT		-
4	A436908	1	TAPE ACRYLIC TWO-SIDED		-
5	A429200	5	HEXAGONAL SERRATED SCREW M8*16 WITH		-
6	A429203	2	HEXAGONAL SERRATED SCREW M8*30 WITH		-
7	72320	2	HEXAGONAL NUT M8 NYLOC DIN 985		-
8	73122	2	WASHER M8 A8,4 DIN 125 ZN		-
-	A434638	1	SUNROOF PLATE CAB GT		-
-	A436903	1	SEAL SUNROOF CAB GT		-

21.2.2024

A434950 DOOR ASSEMBLY CAB GT



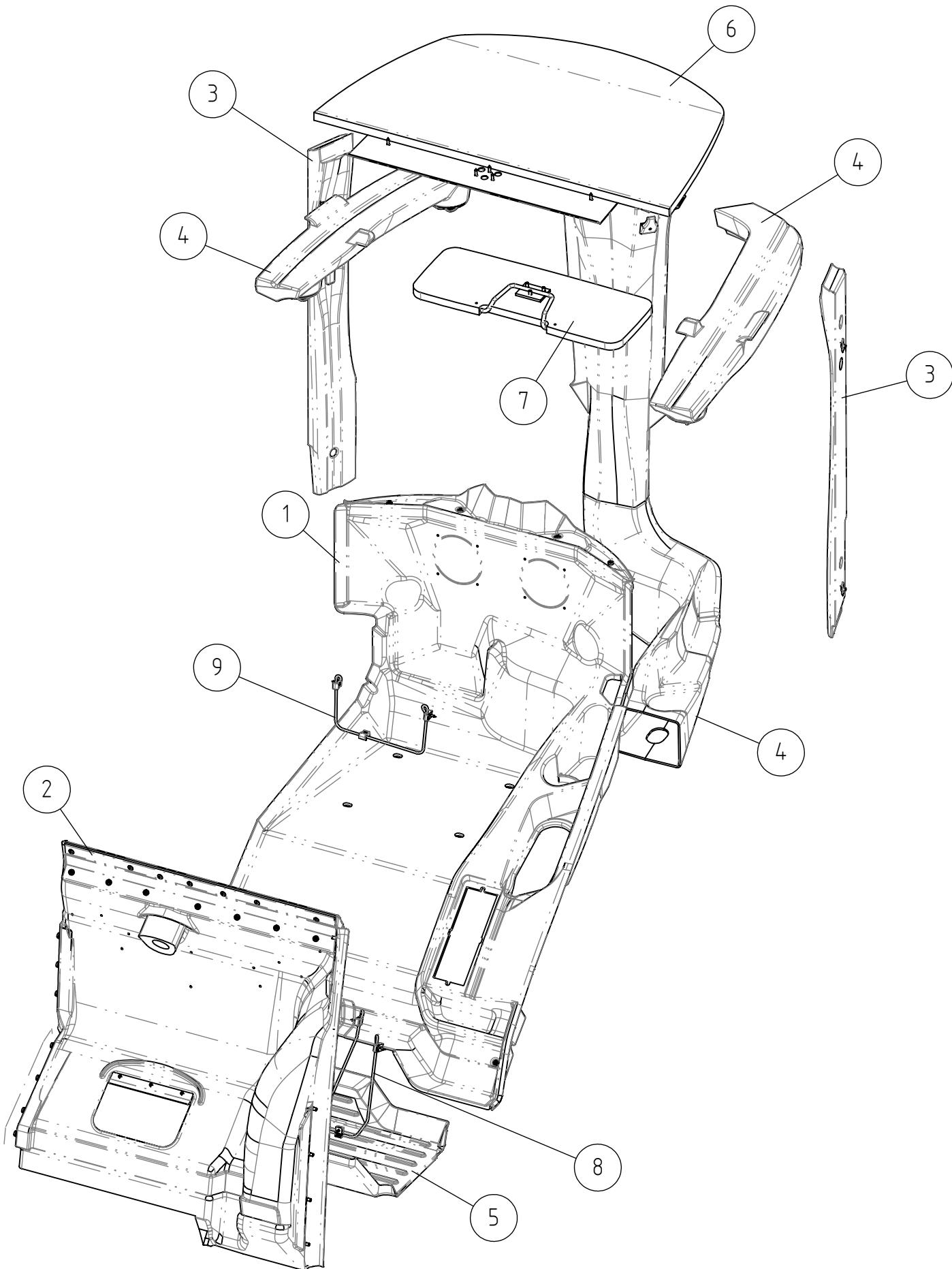
21.2.2024

A434950 DOOR ASSEMBLY CAB GT

REF	PART NO	QTY	DESCRIPTION	NOTES	PAGE
1	A411823	1	DOOR PLATE, SAFETY GLASS, CAB DLX & GT		-
2	64981	1	LOCK BODY		-
3	65025	1	HANDLE, DOOR, CAB		-
4	74856	2	O-RING NBR F 20,0 * 5,0 70SH		-
5	A412329	2	BUSHING		-
6	65026	1	SUBPLATE, DOOR HANDLE 20325-01		-
7	A47957	1	PLATE		-
8	A412344	1	COVER PLATE		-
9	A34859	1	FRAME, DOOR, CAB DLX & GT		-
10	65027	1	SUBPLATE, DOOR HANDLE		-
11	72132	4	HEXAGONAL SCREW M 8*25 DIN 933 ZN		-
12	64985	2	GROMMET F19/13/10,S=5H=11		-
13	A435077	1	WEATHER STRIP DOOR CAB GT		-
14	A434951	1	HINGE LOWER, DOOR CAB GT		-
15	A412327	4	RUBBER WASHER		-
16	73322	2	HEXAGONAL SCREW M12*40 DIN 931		-
17	72324	2	HEXAGONAL NUT M 12 NYLOC DIN 985		-
18	A435102	1	RUBBER PLATE, LOWER, DOOR CAB GT		-
19	72320	2	HEXAGONAL NUT M8 NYLOC DIN 985		-
20	A439829	2	HEXAGONAL HEAD SCREW M8*30 10.9 2		-
21	A440993	1	RUBBER PLUG D29/D25,8 H12 60SH		-
22	A453884	1	BRACKET		-

21.2.2024

A453489 UPHOLSTERY ASSEMBLY CAB GT



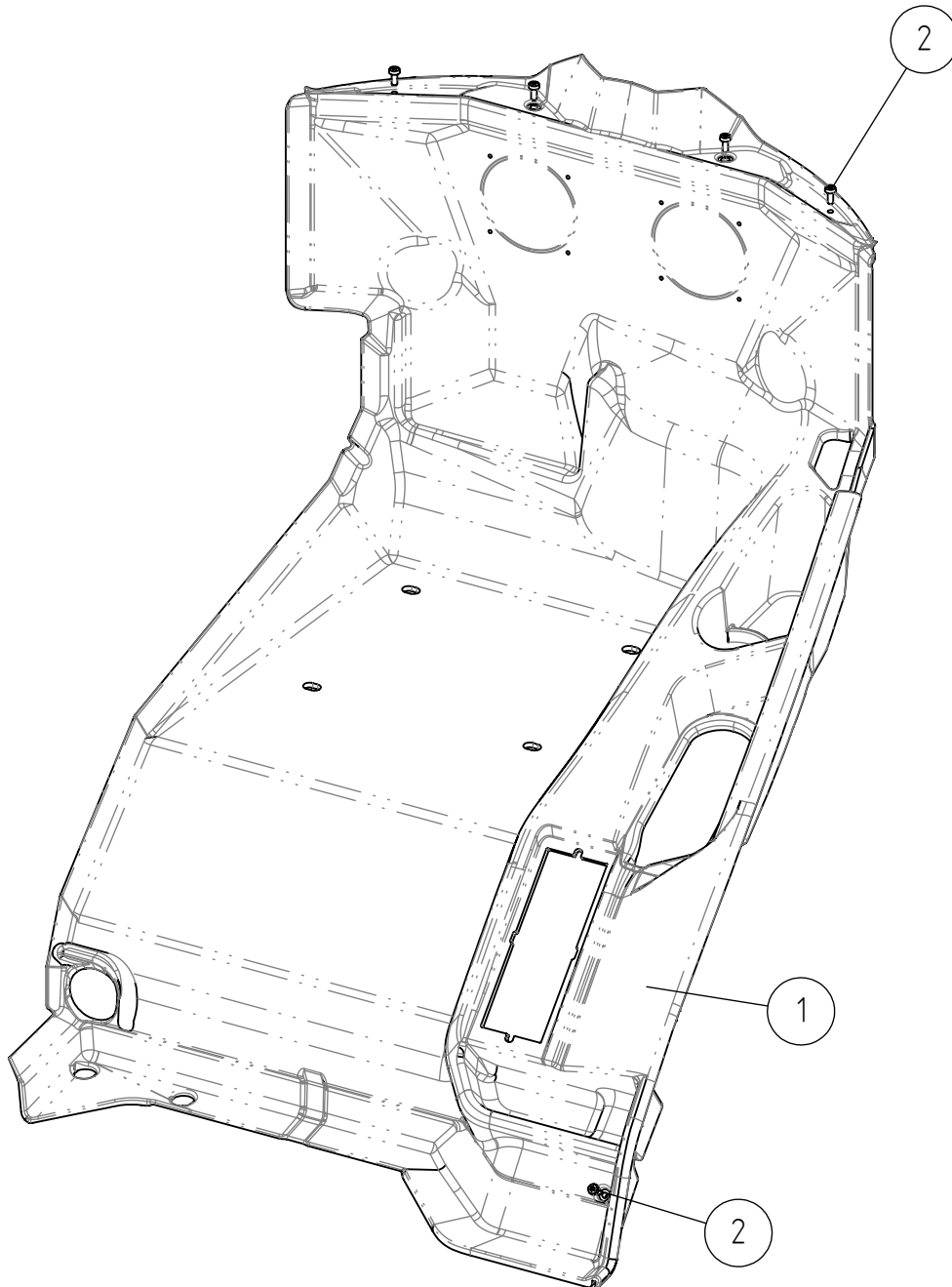
21.2.2024

A453489 UPHOLSTERY ASSEMBLY CAB GT

REF	PART NO	QTY	DESCRIPTION	NOTES	PAGE
1	A434208	1	FLOOR MAT ASSEMBLY CAB GT		182
2	A436615	1	HEAT SHIELD ASSEMBLY CAB GT		184
3	A436754	1	UPHOLSTERY PANELS B-PILLARS CAB GT		186
4	A436635	1	AIR DUCTS ASSEMBLY CAB GT		188
5	A434410	1	SERVICE HATCH ASSEMBLY CAB GT		190
6	A438892	1	UPHOLSTERY ASSEMBLY CEILING CAB GT		192
7	A438887	1	SUN VISOR ASSEMBLY CAB GT		194
8	A438452	1	NET POCKET ASSEMBLY CAB GT		196
9	A438443	1	NET POCKET REAR ASSEMBLY CAB GT		198

21.2.2024

A434208 FLOOR MAT ASSEMBLY CAB GT



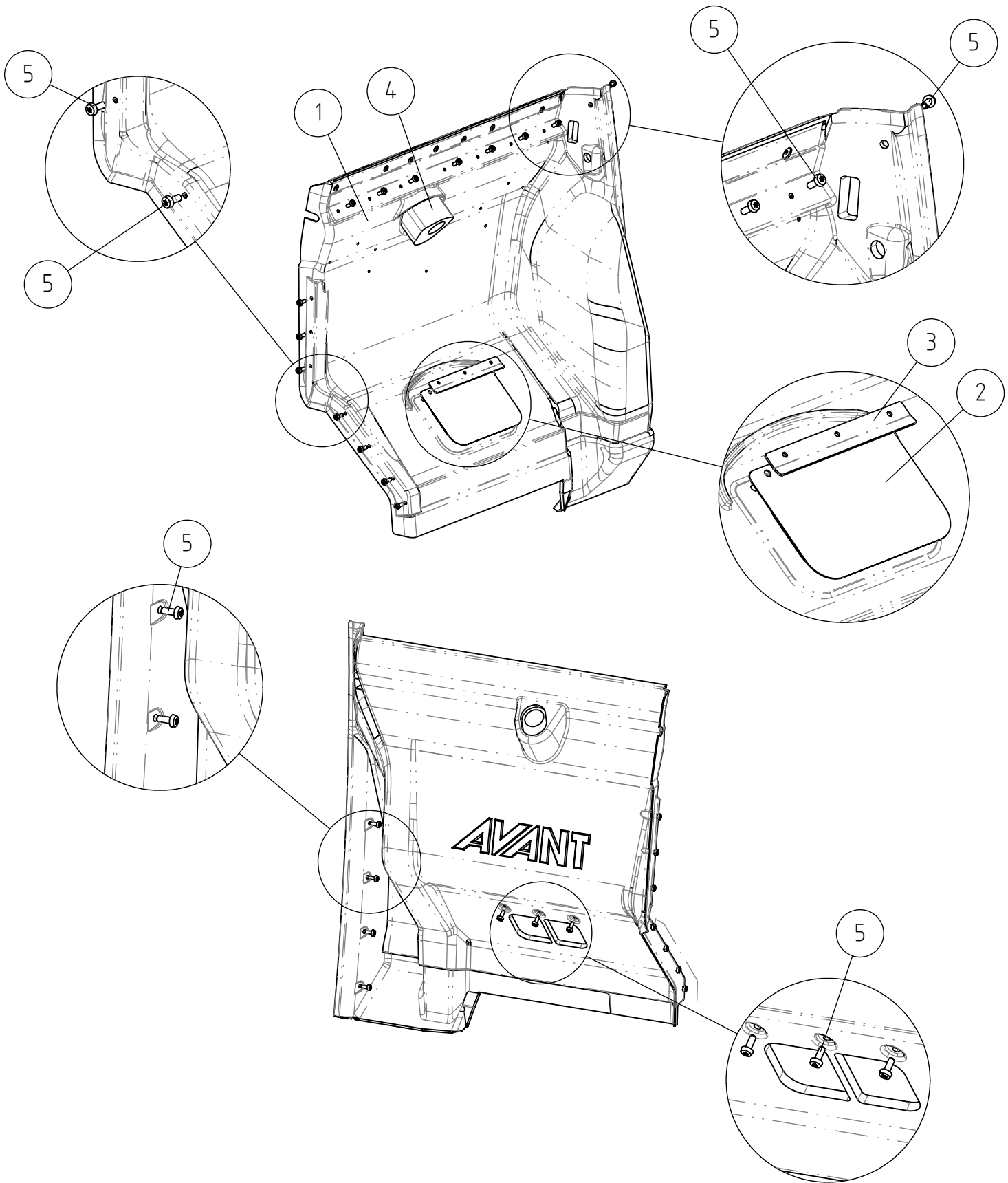
21.2.2024

A434208 FLOOR MAT ASSEMBLY CAB GT

REF	PART NO	QTY	DESCRIPTION	NOTES	PAGE
1	A434207	1	COVER PANEL FLOOR ASSEMBLY CAB GT		-
2	75129	5	THREAD-FORMING SCREW M6*16 DIN 7500C		-

21.2.2024

A436615 HEAT SHIELD ASSEMBLY CAB GT



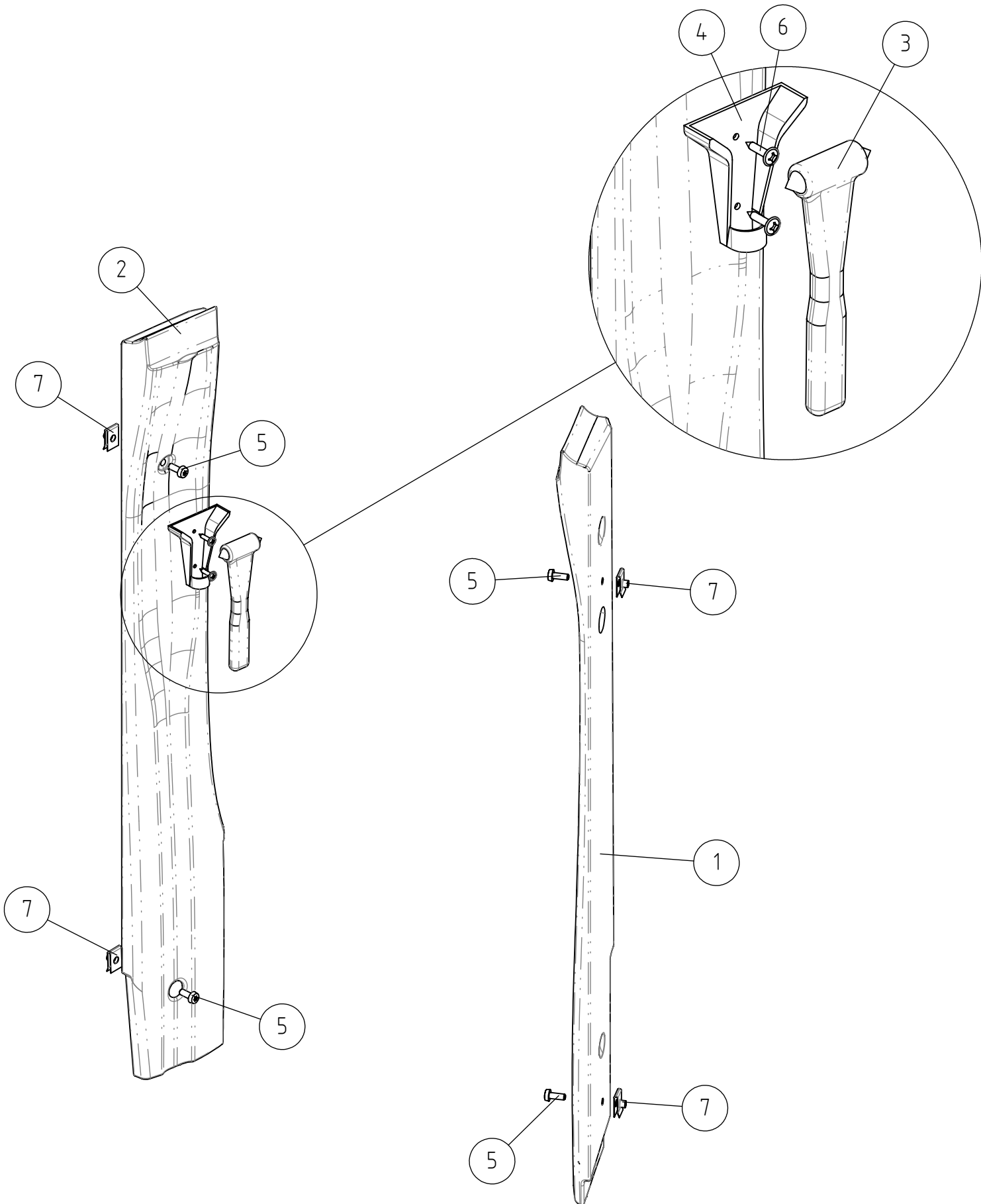
21.2.2024

A436615 HEAT SHIELD ASSEMBLY CAB GT

REF	PART NO	QTY	DESCRIPTION	NOTES	PAGE
1	A434678	1	HEAT SHIELD CAB GT		-
2	A436879	1	RUBBER PLATE DOOR CAB GT		-
3	A436880	1	MOUNTING BRACKET RUBBER PLATE DOOR CAB		-
4	A439956	1	RUBBER BUSHING STEERING COLUMN		-
5	75129	22	THREAD-FORMING SCREW M6*16 DIN 7500C		-

21.2.2024

A436754 UPHOLSTERY PANELS B-PILLARS CAB GT



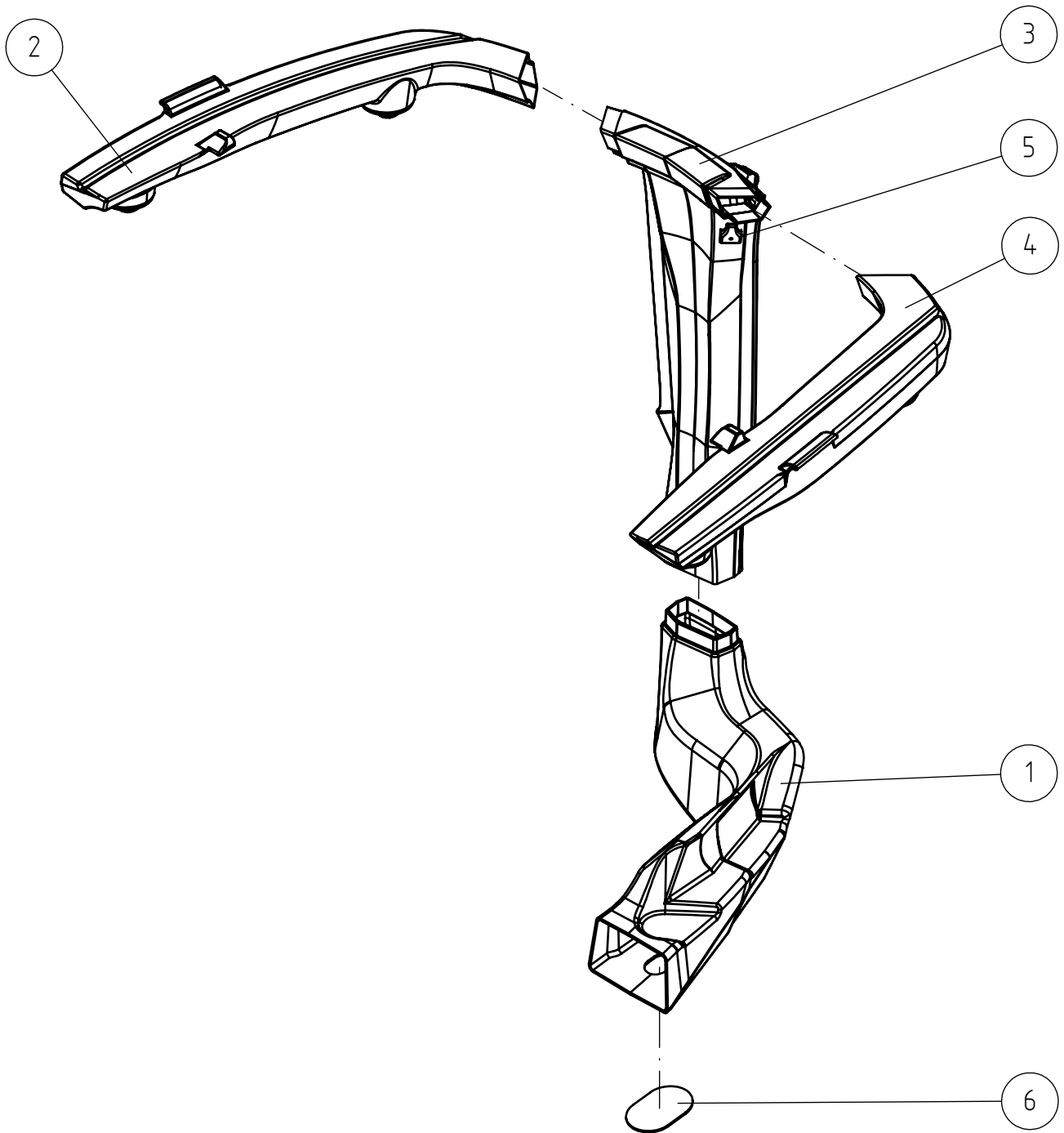
21.2.2024

A436754 UPHOLSTERY PANELS B-PILLARS CAB GT

REF	PART NO	QTY	DESCRIPTION	NOTES	PAGE
1	A436420	1	UPHOLSTERY PANEL B-PILLAR LEFT CAB GT		-
2	A436524	1	UPHOLSTERY PANEL B-PILLAR RIGHT CAB GT		-
3	64986	1	EMERGENCY HAMMER HAPPICH RED		-
4	64987	1	BRACKET, EMERGENCY HAMMER		-
5	75129	4	THREAD-FORMING SCREW M6*16 DIN 7500C		-
6	A431729	2	PAN HEAD MACHINE SCREW M3,9*19		-
7	74807	4	SPEED NUT M6, FOR 0.5-4.0 MM PLATE		-

21.2.2024

A436635 AIR DUCTS ASSEMBLY CAB GT



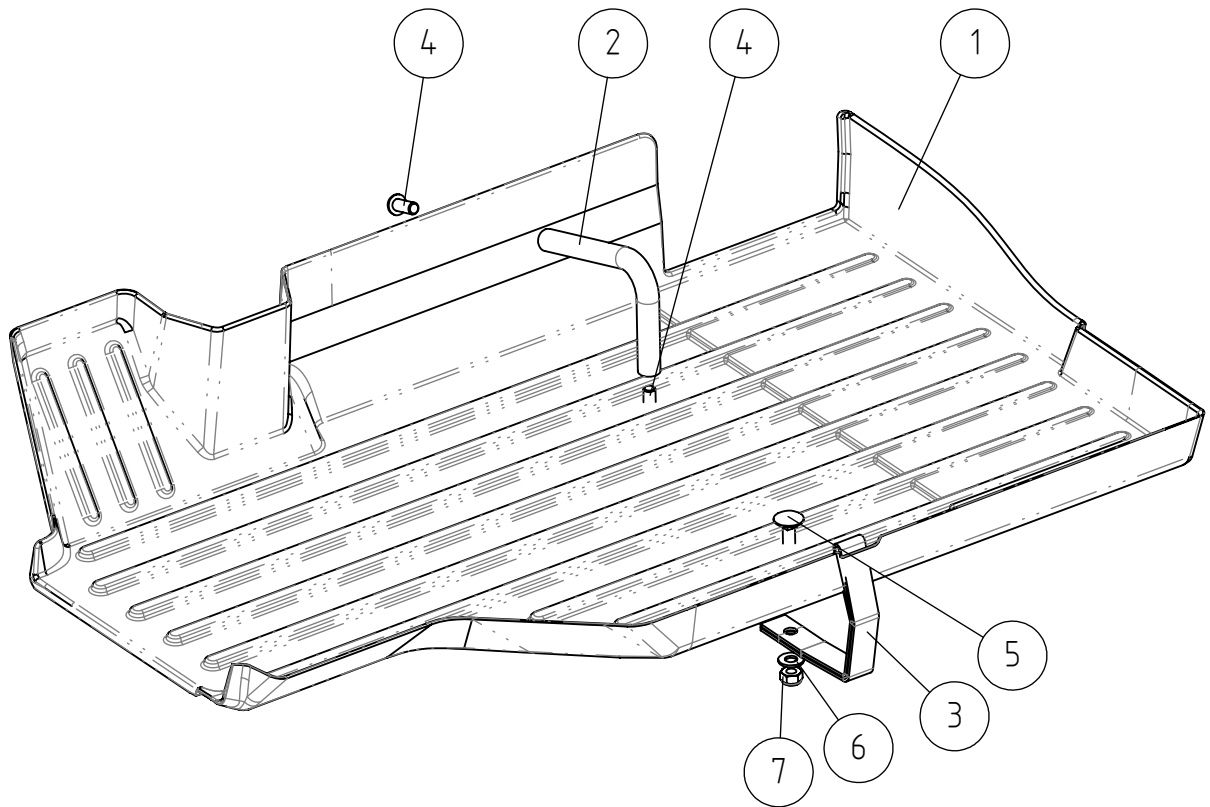
21.2.2024

A436635 AIR DUCTS ASSEMBLY CAB GT

REF	PART NO	QTY	DESCRIPTION	NOTES	PAGE
1	A436413	1	AIR DUCT LOWER CAB GT		-
2	A436415	1	AIR DUCT CEILING RIGHT CAB GT		-
3	A436479	1	AIR DUCT VERTICAL CAB GT		-
4	A436417	1	AIR DUCT CEILING LEFT CAB GT		-
5	65072	1	COAT HOOK HAPPICH BLACK		-
6	A439839	1	COVER PLATE AIR DUCT CAB GT		-

21.2.2024

A434410 SERVICE HATCH ASSEMBLY CAB GT



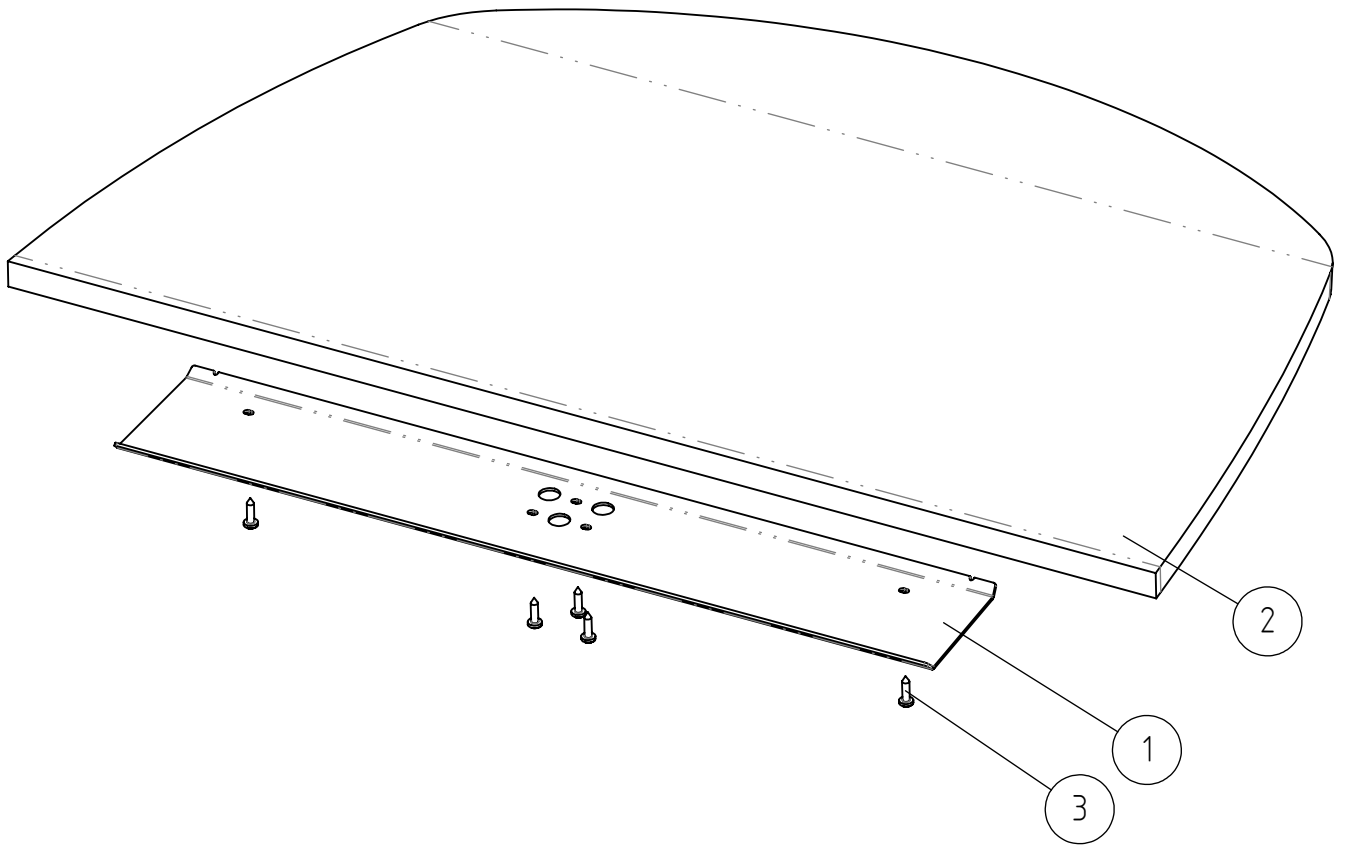
21.2.2024

A434410 SERVICE HATCH ASSEMBLY CAB GT

REF	PART NO	QTY	DESCRIPTION	NOTES	PAGE
1	A437490	1	SERVICE HATCH CAB GT		-
2	A438964	1	GUARD BAR SERVICE HATCH CAB GT		-
3	A436742	1	HANDLE SERVICE HATCH CAB GT		-
4	75152	2	BUTTON HEAD SOCKET CAP SCREW M8*20 10.9		-
5	74836	1	CARRIAGE BOLT M8*20		-
6	73122	1	WASHER M8 A8,4 DIN 125 ZN		-
7	72320	1	HEXAGONAL NUT M8 NYLOC DIN 985		-

21.2.2024

A438892 UPHOLSTERY ASSEMBLY CEILING CAB GT



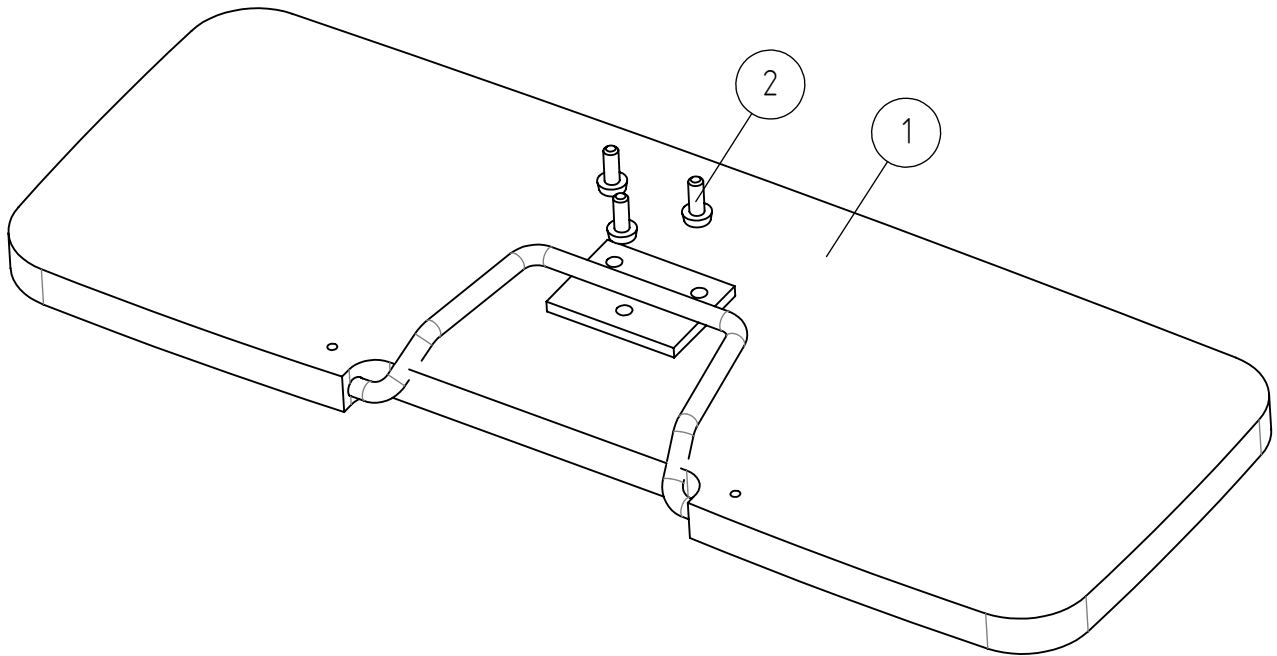
21.2.2024

A438892 UPHOLSTERY ASSEMBLY CEILING CAB GT

REF	PART NO	QTY	DESCRIPTION	NOTES	PAGE
1	A434346	1	UPHOLSTERY PLATE CAB GT		-
2	A436244	1	UPHOLSTERY CEILING CAB GT		-
3	A463689	5	TAPPING SCREW 4,8X19 DIN 7981C		-

21.2.2024

A438887 SUN VISOR ASSEMBLY CAB GT



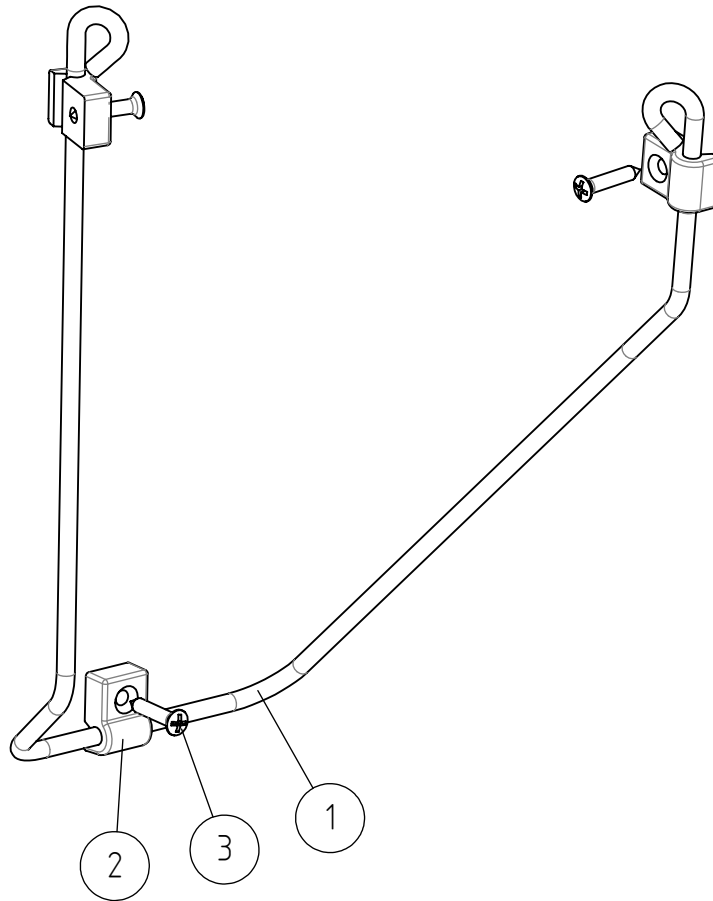
21.2.2024

A438887 SUN VISOR ASSEMBLY CAB GT

REF	PART NO	QTY	DESCRIPTION	NOTES	PAGE
1	A438885	1	SUN VISOR 500X183 BLACK		-
2	A437544	3	THREAD-FORMING SCREW BLACK M6*16 DIN		-

21.2.2024

A438452 NET POCKET ASSEMBLY CAB GT



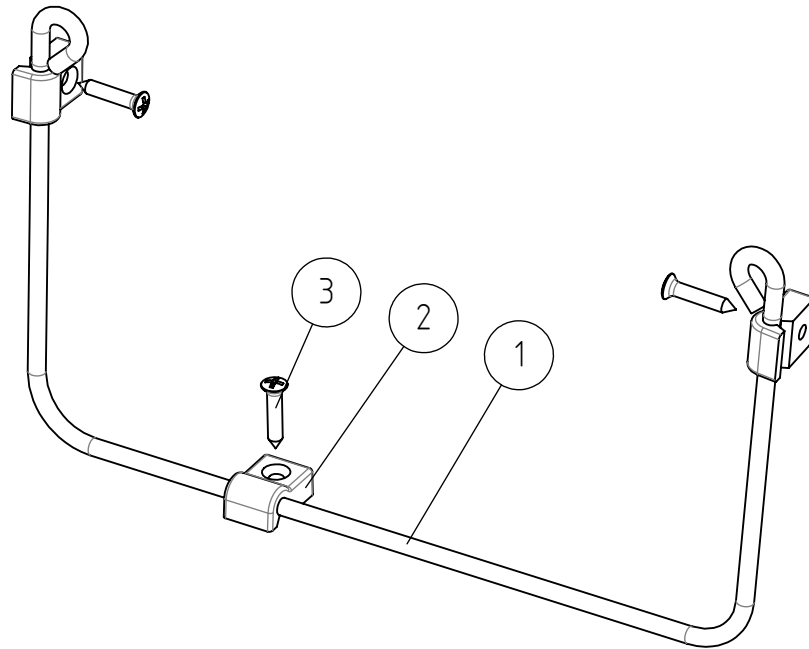
21.2.2024

A438452 NET POCKET ASSEMBLY CAB GT

REF	PART NO	QTY	DESCRIPTION	NOTES	PAGE
1	A438448	1	NET POCKET CAB GT		-
2	A438436	3	MOUNTING BRACKET NET POCKET CAB GT		-
3	A438444	3	TAPPING SCREW 3,9/7,5 X 20 DIN 7983		-

21.2.2024

A438443 NET POCKET REAR ASSEMBLY CAB GT

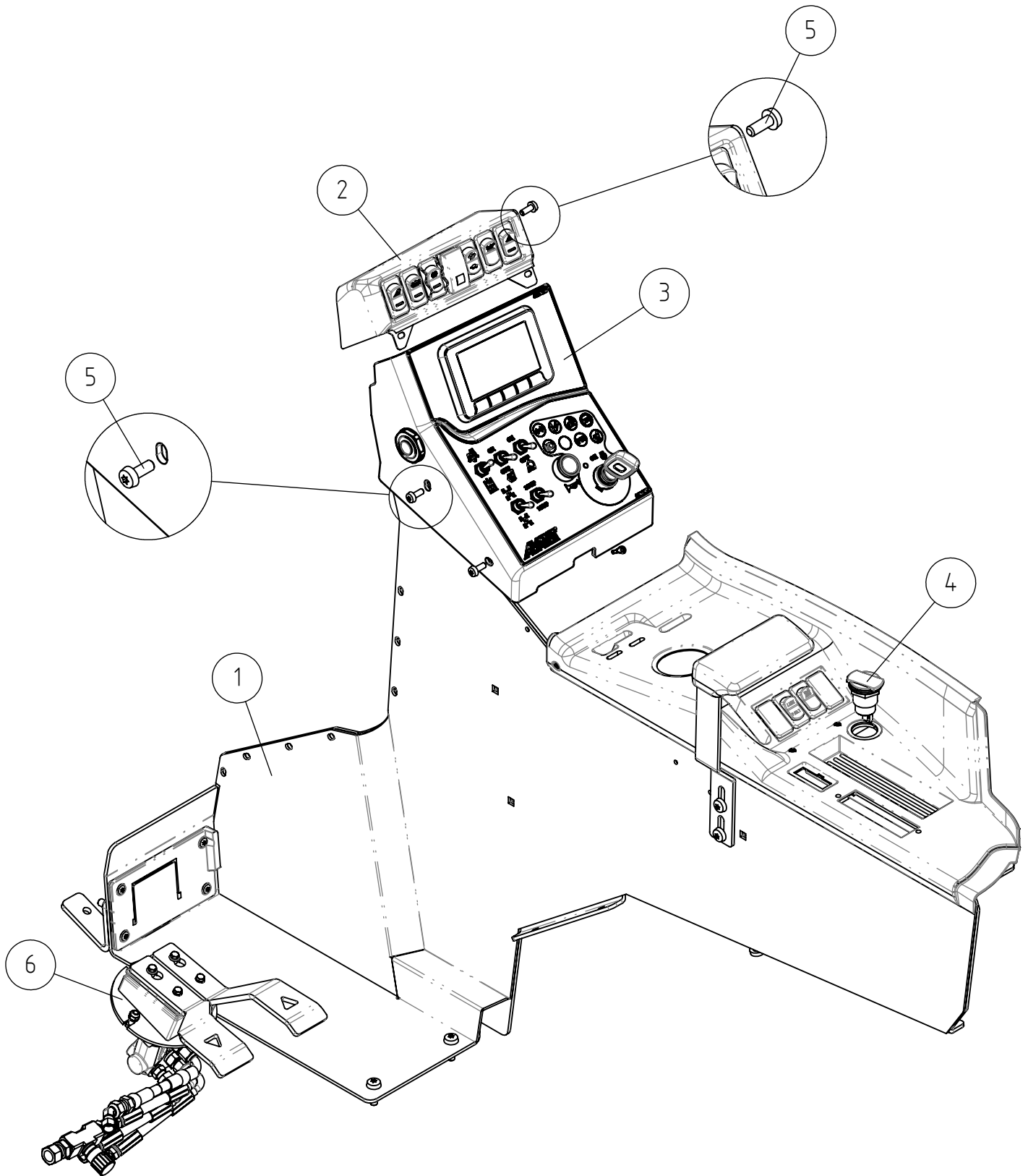


21.2.2024

A438443 NET POCKET REAR ASSEMBLY CAB GT

REF	PART NO	QTY	DESCRIPTION	NOTES	PAGE
1	A438434	1	FRAME NET POCKET CAB GT		-
2	A438436	3	MOUNTING BRACKET NET POCKET CAB GT		-
3	A438444	3	TAPPING SCREW 3,9/7,5 X 20 DIN 7983		-

A448127 CONTROLS ASSEMBLY CAB GT



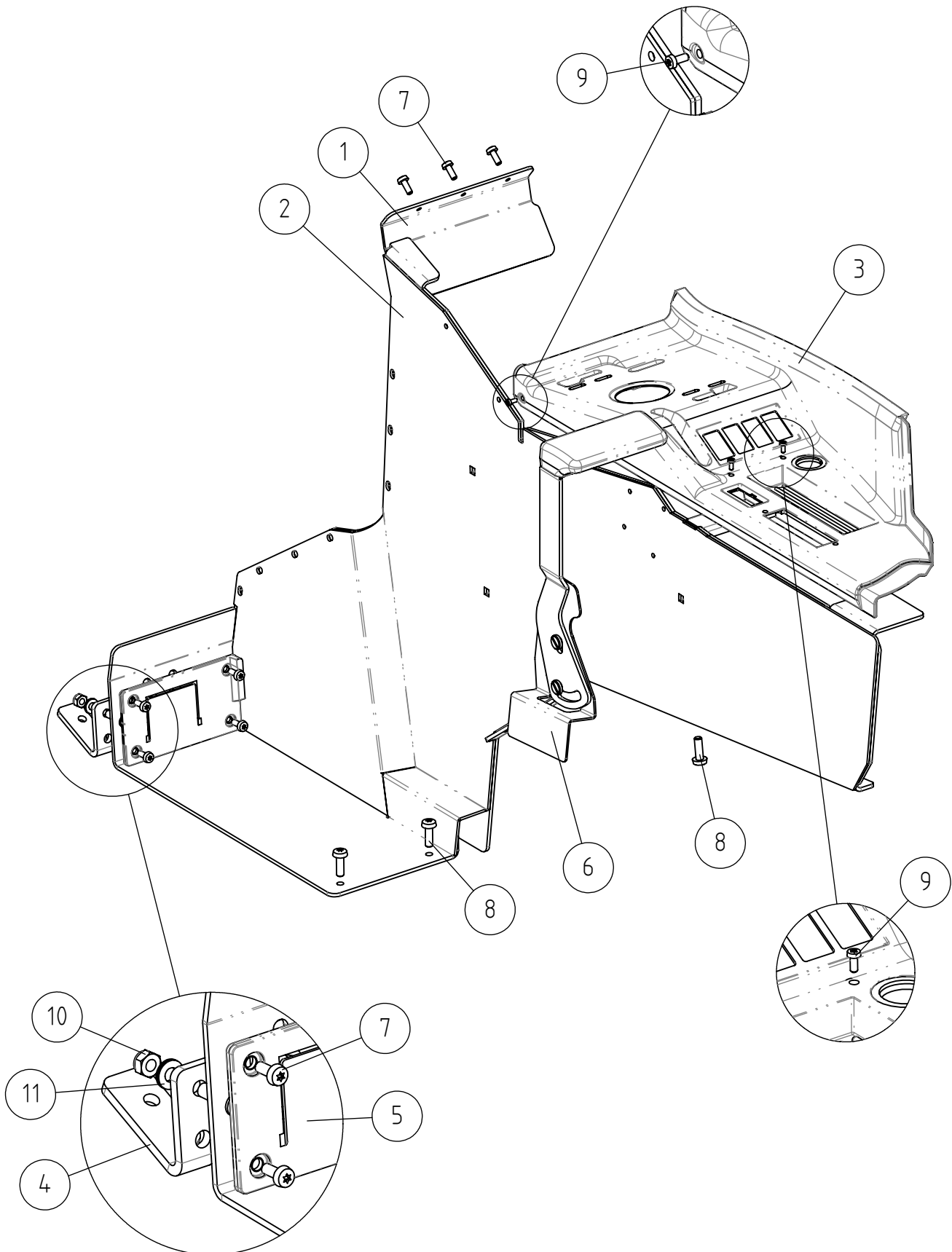
21.2.2024

A448127 CONTROLS ASSEMBLY CAB GT

REF	PART NO	QTY	DESCRIPTION	NOTES	PAGE
1	A465450	1	CONTROLS ASSEMBLY CAB GT		202
2	A436212	1	HOUSING SWITCHES ASSEMBLY CAB GT		-
3	A436574	1	DASHBOARD CAB GT / DLX		204
3.1	A436098	1	WIRE HARNESS DASHBOARD		-
3.2	A425315	1	INDICATOR LIGHTS DASHBOARD		-
3.3	A440326	1	ALARM BEEPER D28,5/D45 -H47		-
3.4	A436572	1	PANEL ABS GAUGES CAB DLX		-
3.5	66156	1	IGNITION SWITCH 12V/30A/60A IP65 COBO		-
3.6	A442322	1	ROCKER SWITCH ON-OFF-MOM 3-POLE		-
3.7	A443283	4	TOGGLE SWITCH ON-OFF 2-POLE		-
3.8	64074	1	PUSH BUTTON F22,5 SIGNAL HORN		-
3.9	A436674	1	MOUNTING FRAME ASSEMBLY SWITCH PANEL CAB		-
3.10	A436642	1	MOUNTING FRAME ASSEMBLY DISPLAY CAB		-
4	A436424	1	OUTLET 12V/20A WITH COVER		-
5	75129	3	THREAD-FORMING SCREW M6*16 DIN 7500C		-
6	A449873	1	DRIVE PEDAL ASSEMBLY CAB GT		-

21.2.2024

A465450 CONTROLS ASSEMBLY CAB GT



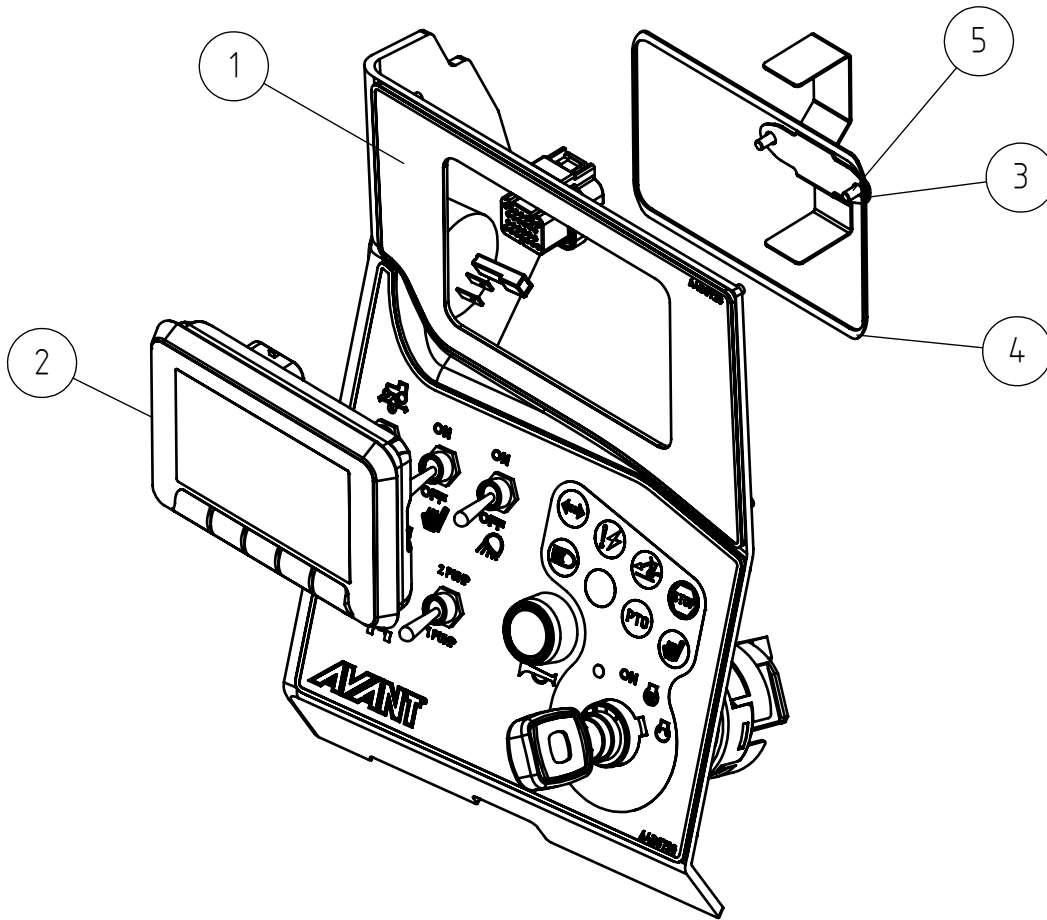
21.2.2024

A465450 CONTROLS ASSEMBLY CAB GT

REF	PART NO	QTY	DESCRIPTION	NOTES	PAGE
1	A449855	1	MOUNTING PLATE CONTROL VALVE CAB GT		-
2	A449863	1	MOUNTING PLATE CONTROL VALVE WITH		-
3	A436540	1	INSTRUMENT PANEL CAB GT		-
4	A449818	1	MOUNTING PLATE DRIVE PEDAL CAB GT		-
5	A434607	1	SEALING PLATE ASSEMBLY DRIVE PEDALS CAB		-
6	A454221	1	ARMREST RIGHT CAB GT		-
7	75129	7	THREAD-FORMING SCREW M6*16 DIN 7500C		-
8	75128	3	THREAD-FORMING SCREW M8*25 DIN 7500C		-
9	A438375	3	THREAD-FORMING SCREW 4*10		-
10	72320	2	HEXAGONAL NUT M8 NYLOC DIN 985		-
11	63944	2	WASHER, PAIR, NORD-LOCK M8		-

21.2.2024

A436574 DASHBOARD CAB GT / DLX



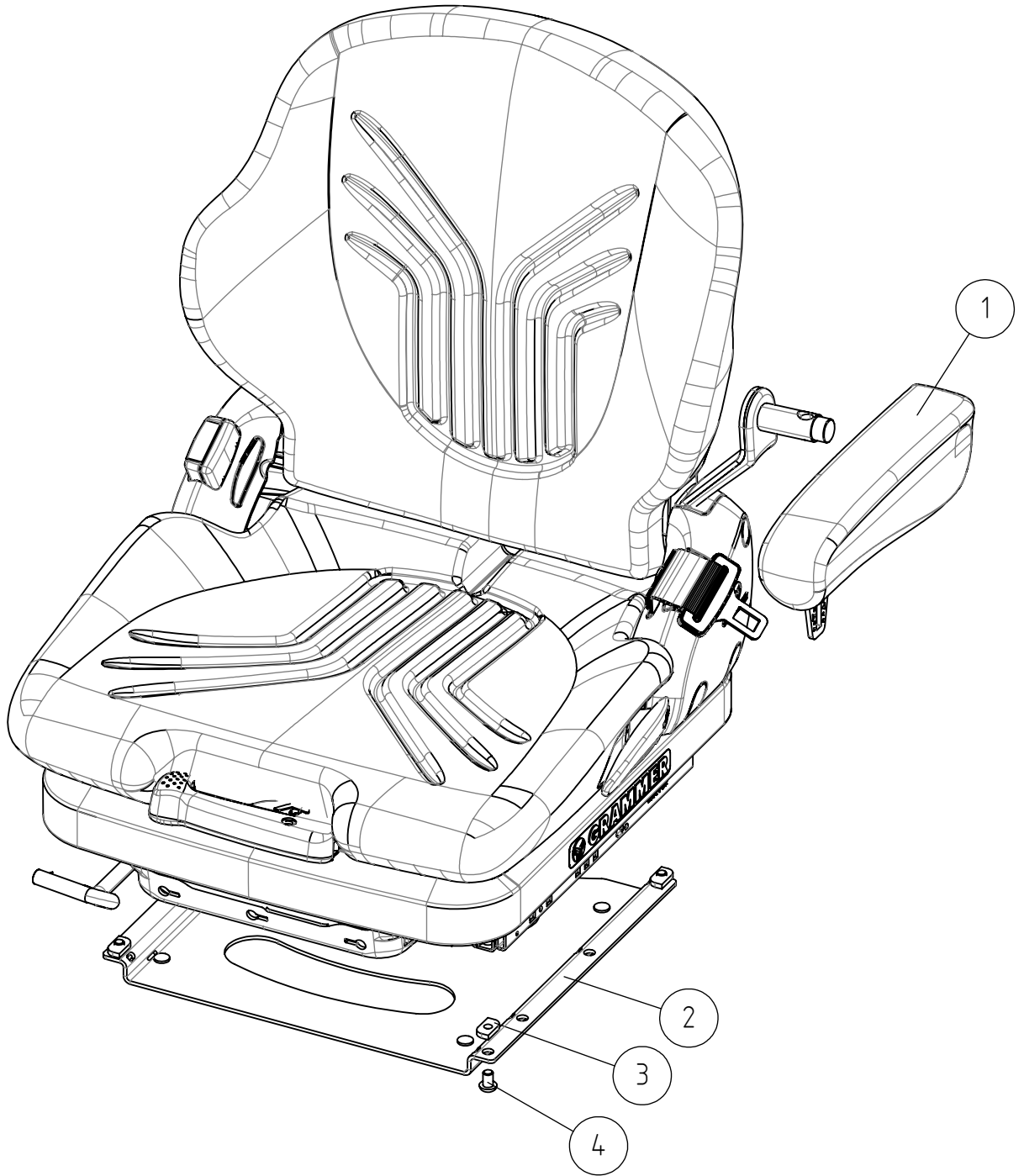
21.2.2024

A436574 DASHBOARD CAB GT / DLX

REF	PART NO	QTY	DESCRIPTION	NOTES	PAGE
1	A456501	1	DASHBOARD WITHOUT DISPLAY CAB GT		-
2	A428466	1	DISPLAY 4,3" COLOUR LED		-
3	A423587	1	MOUNTING PLATE DISPLAY		-
4	A436780	1	GROUNDING FRAME CANVIEW4 GAUGE PANEL		-
5	A431502	2	PAN HEAD MACHINE SCREW M4*8		-
-	A436098	1	WIRE HARNESS DASHBOARD		-
-	A425315	1	INDICATOR LIGHTS DASHBOARD		-
-	A440326	1	ALARM BEEPER D28,5/D45 -H47		-
-	A436572	1	PANEL ABS GAUGES CAB DLX		-
-	66156	1	IGNITION SWITCH 12V/30A/60A IP65 COBO		-
-	A442322	1	ROCKER SWITCH ON-OFF-MOM 3-POLE		-
-	A443283	4	TOGGLE SWITCH ON-OFF 2-POLE		-
-	64074	1	PUSH BUTTON F22,5 SIGNAL HORN		-
-	A436674	1	MOUNTING FRAME ASSEMBLY SWITCH PANEL CAB		-
-	A436642	1	MOUNTING FRAME ASSEMBLY DISPLAY CAB		-

21.2.2024

A449724 SEAT FULL SUSPENSION FABRIC HEATER MSG65



21.2.2024

A449724 SEAT FULL SUSPENSION FABRIC HEATER MSG65

REF	PART NO	QTY	DESCRIPTION	NOTES	PAGE
1	A452237	1	ARMREST LEFT, SEAT GRAMMER MSG65		-
2	A454836	1	MOUNTING PLATE SEAT CAB GT		-
3	A438059	4	SLIDING NUT M8		-
4	75131	4	BUTTON HEAD SOCKET CAP SCREW M8*12 10.9		-

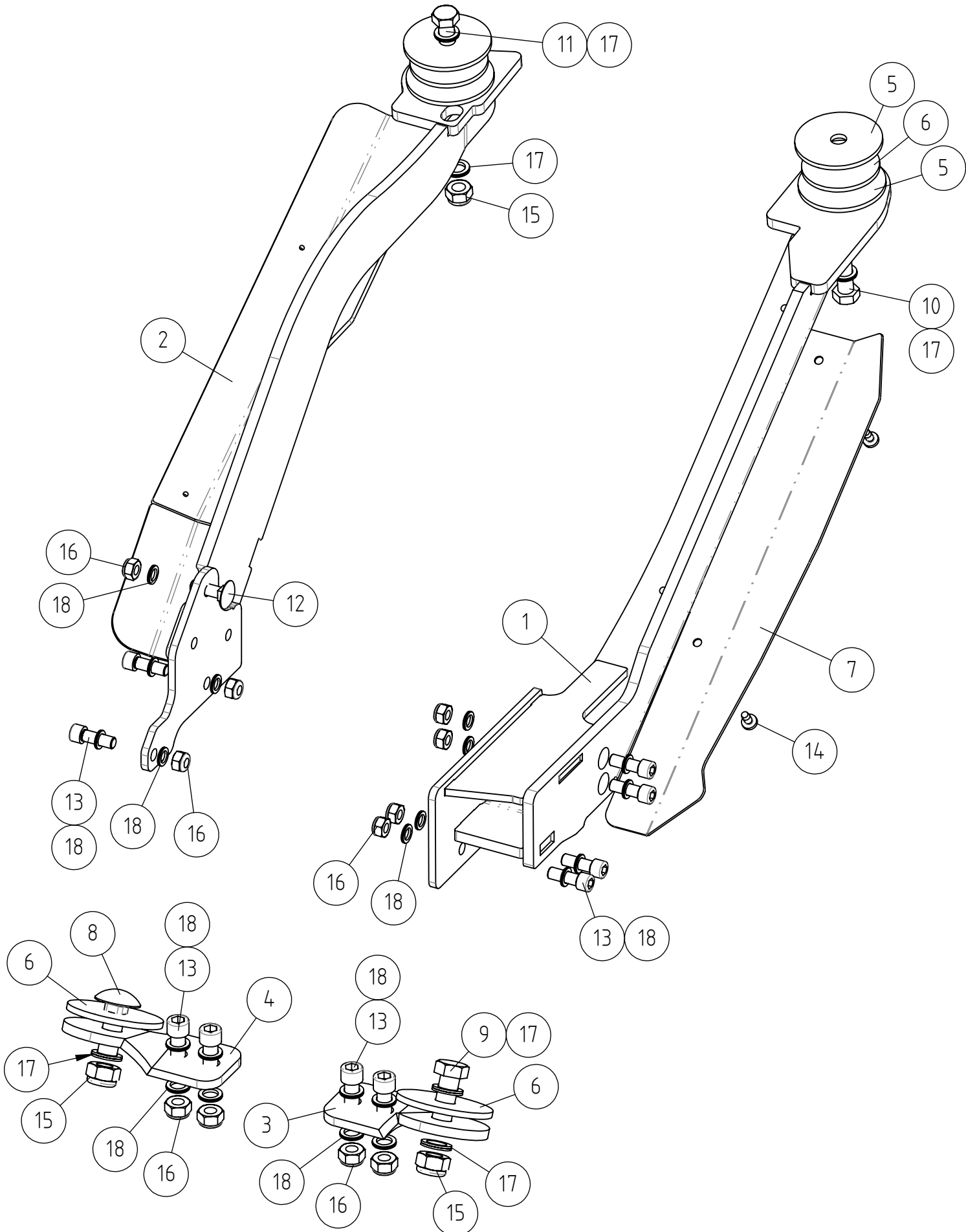
21.2.2024

A438246 HEATER ASSEMBLY CAB GT

REF	PART NO	QTY	DESCRIPTION	NOTES	PAGE
1	A434046	1	HOUSING, HEATER CAB GT		-
2	A438010	1	HEATER CAB GT KOOL E 12V		-
3	A434672	1	HOUSING AIR FILTER CAB		-
4	A422597	1	AIR FILTER CARTRIDGE CAB		-
5	A434090	1	HOSE HEATER CAB GT		-
6	A438253	1	COVER PLATE HEATER CHANNEL CAB GT		-
7	A434302	3	GROMMET F32/25/19 60SH		-
8	A434303	1	INLET HOSE HEATER CAB GT		-
9	A434304	1	RETURN HOSE HEATER CAB GT		-
10	A436401	1	LID HEATER CAB GT		-
12	A436387	1	HOSE FITTING 40MM		-
13	A438219	1	ISOLATION PLATE HEATER CHANNEL CAB GT		-
14	65514	1	THERMOSTAT, HEATER, CAB		-
15	A436549	1	NOZZLE 60MM AIR FLOW CAB GT		-
16	A437682	1	FRAME, HEATER ADJUSTMENT KNOB CAB GT		-
17	A436290	1	WIRE HARNESS HEATER/AIRCON CAB GT		-
18	A436550	12	PAN HEAD MACHINE SCREW M3,9*9,5		-
19	75172	2	SPEED NUT M5 FOR 0.5-4.0 MM PLATE		-
20	74771	2	PAN HEAD MACHINE SCREW M5* 25		-
21	A430277	16	TORX SCREW M4*12		-
22	75128	4	THREAD-FORMING SCREW M8*25 DIN 7500C		-
23	65849	2	PLUG OVAL 20X50		-
24	66034	1	RUBBER PLUG F35/F25-10 S=3		-
25	A438250	1	RUBBER PLUG D28/D21 S=3 60SH		-
26	A438229	4	HOSE CLAMP D23		-

21.2.2024

A442729 SUBFRAME ASSEMBLY CAB GT 500-700 SERIES



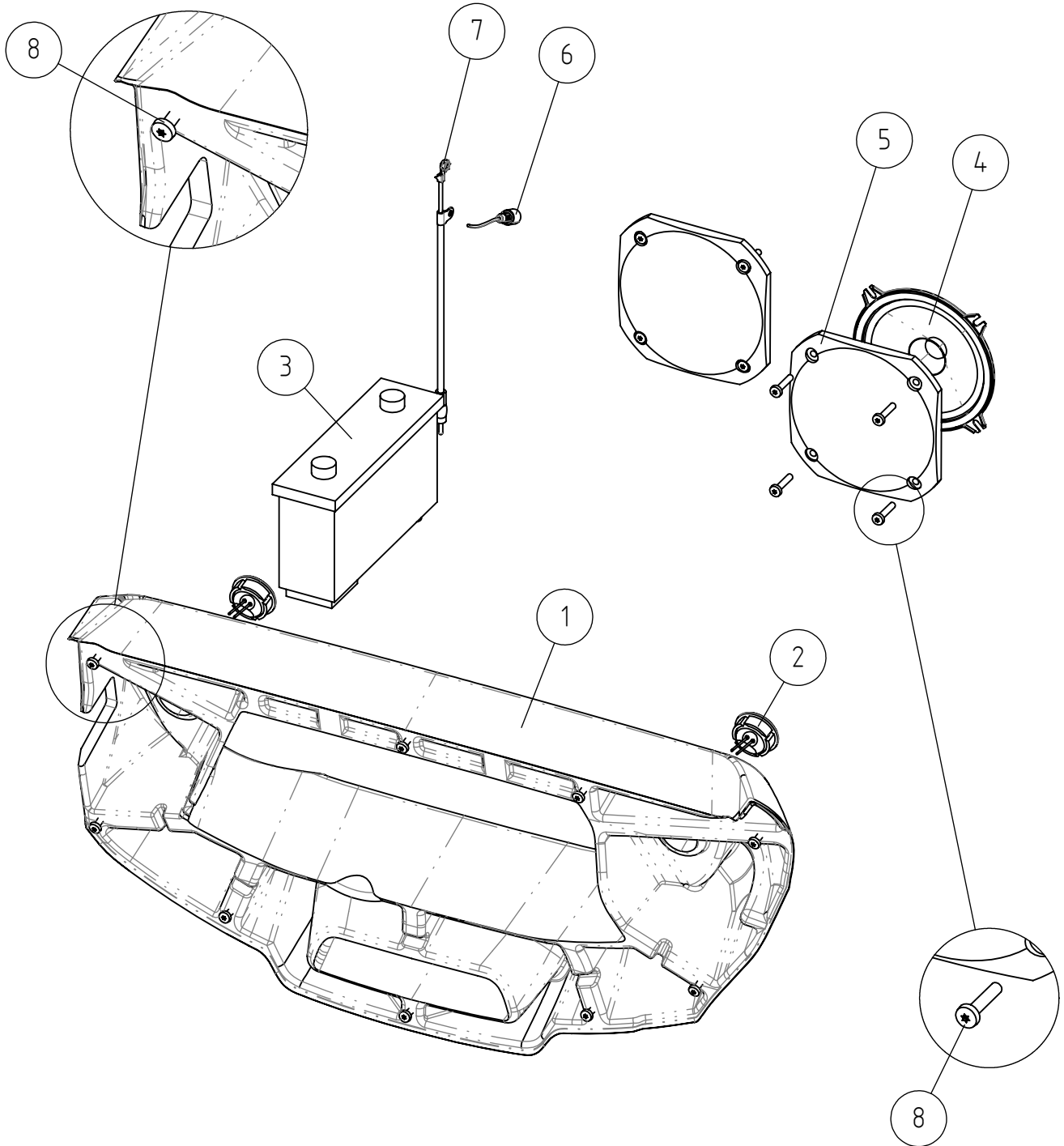
21.2.2024

A442729 SUBFRAME ASSEMBLY CAB GT 500-700 SERIES

REF	PART NO	QTY	DESCRIPTION	NOTES	PAGE
1	A452292	1	MOUNTING BRACKET LEFT SUBFRAME CAB GT		-
2	A452289	1	MOUNTING BRACKET RIGHT SUBFRAME CAB GT		-
3	A445439	1	MOUNTING PLATE LEFT CAB		-
4	A445639	1	MOUNTING PLATE RIGHT CAB		-
5	A438392	4	WASHER SUBFRAME CAB GT		-
6	A442463	4	RUBBER WASHER SUBFRAME CAB GT		-
7	A446409	1	COVER PANEL LEFT SUBFRAME CAB GT		-
8	74404	1	CARRIAGE BOLT M16*45 DIN603		-
9	72192	1	HEXAGONAL SCREW M16*45 DIN 933		-
10	72193	1	HEXAGONAL SCREW M16* 50 DIN 933		-
11	73569	1	HEXAGONAL SCREW M16* 60 DIN 933		-
12	74915	1	CARRIAGE BOLT M12*40 DIN603		-
13	74876	10	HEXAGONAL HEAD SCREW M12*35 DIN912		-
14	A465214	2	THREAD-FORMING SCREW M8*16 DIN 7500-PE		-
15	72330	3	HEXAGONAL NUT M16 NYLOC DIN 985		-
16	72324	11	HEXAGONAL NUT M 12 NYLOC DIN 985		-
17	74533	6	WASHER, PAIR, M16 NL16 NORDLOCK		-
18	74532	21	WASHER NORDLOCK NL12		-

21.2.2024

A438587 RADIO WITH ACCESSORIES CAB GT



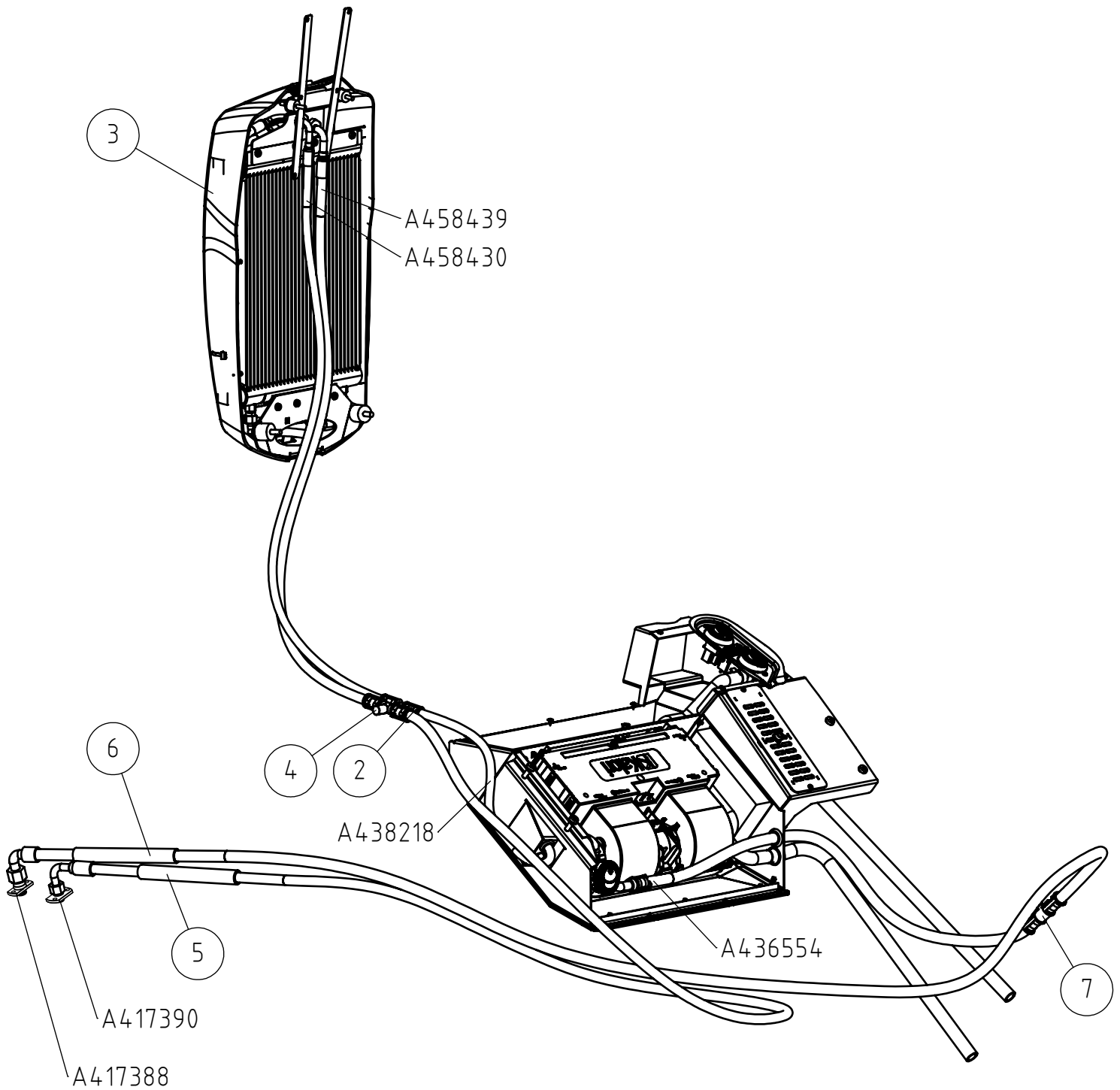
21.2.2024

A438587 RADIO WITH ACCESSORIES CAB GT

REF	PART NO	QTY	DESCRIPTION	NOTES	PAGE
1	A437493	1	DASHBOARD CAB GT		-
2	A438572	2	LOUDSPEAKER VISATON CP13		-
3	A431687	1			-
5	A438590	2	SPEAKER GRILLE		-
6	A438588	1			-
7	A439976	1	AERIAL CABLE L=1450		-
8	A438585	17			-
-	A438572	2	LOUDSPEAKER VISATON CP13		-

21.2.2024

A450869 AIR CONDITIONING ASSEMBLY CAB GT

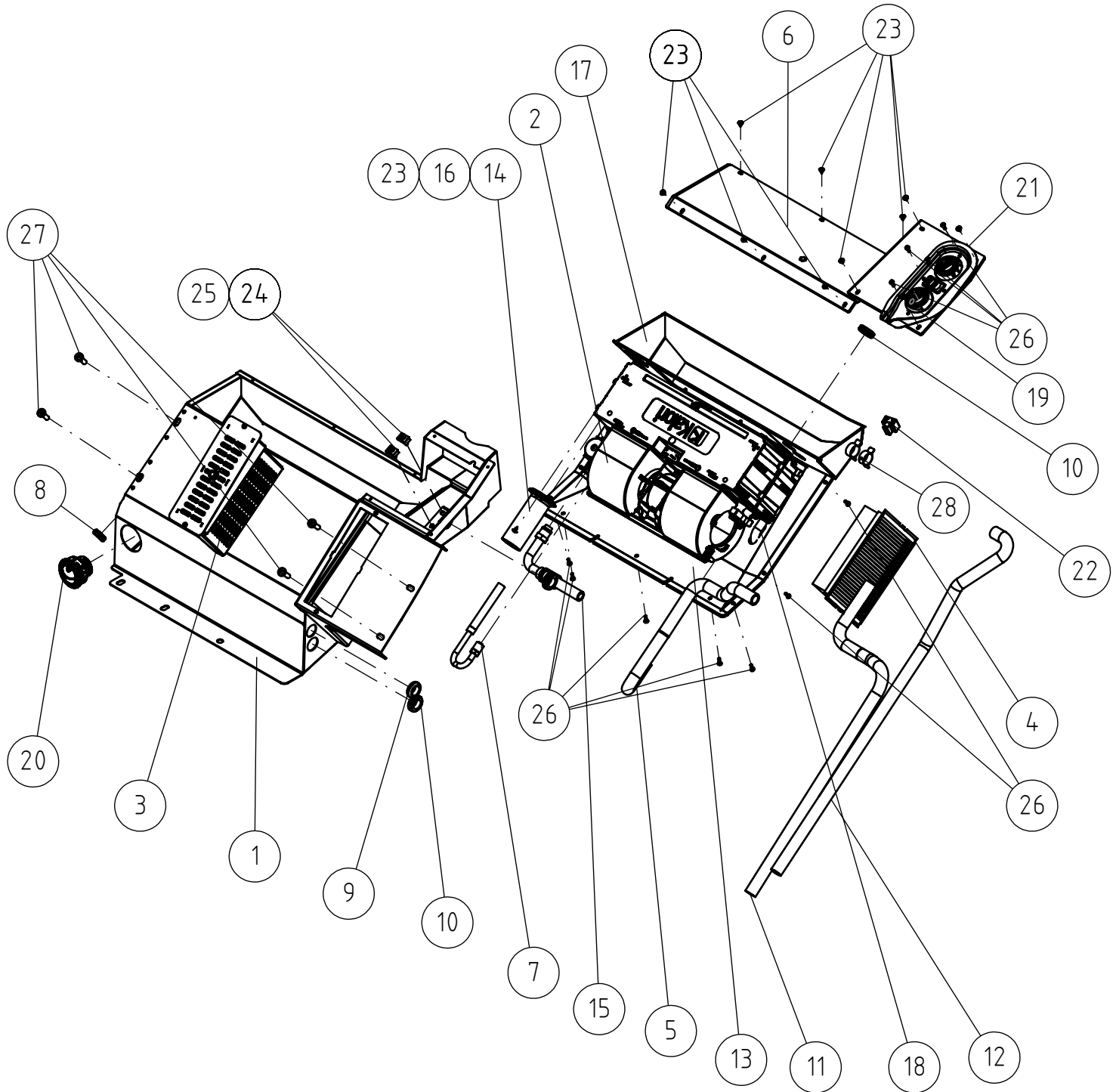


21.2.2024

A450869 AIR CONDITIONING ASSEMBLY CAB GT

REF	PART NO	QTY	DESCRIPTION	NOTES	PAGE
1	A434047	1	HEATER MODULE CAB GT		216
2	A450870	1	FITTING COOLANT A/C		-
3	A449155	1	CONDENSER WITH RECEIVER DRIER A/C CAB GT		218
4	66173	1	HOSE FITTING M08 KALORI		-
5	A456720	1	HOSE A/C L=3100 M8		-
6	A456717	1	HOSE A/C L=2710 M10		-
7	66174	1	HOSE FITTING M10 KALORI		-

A434047 HEATER MODULE CAB GT



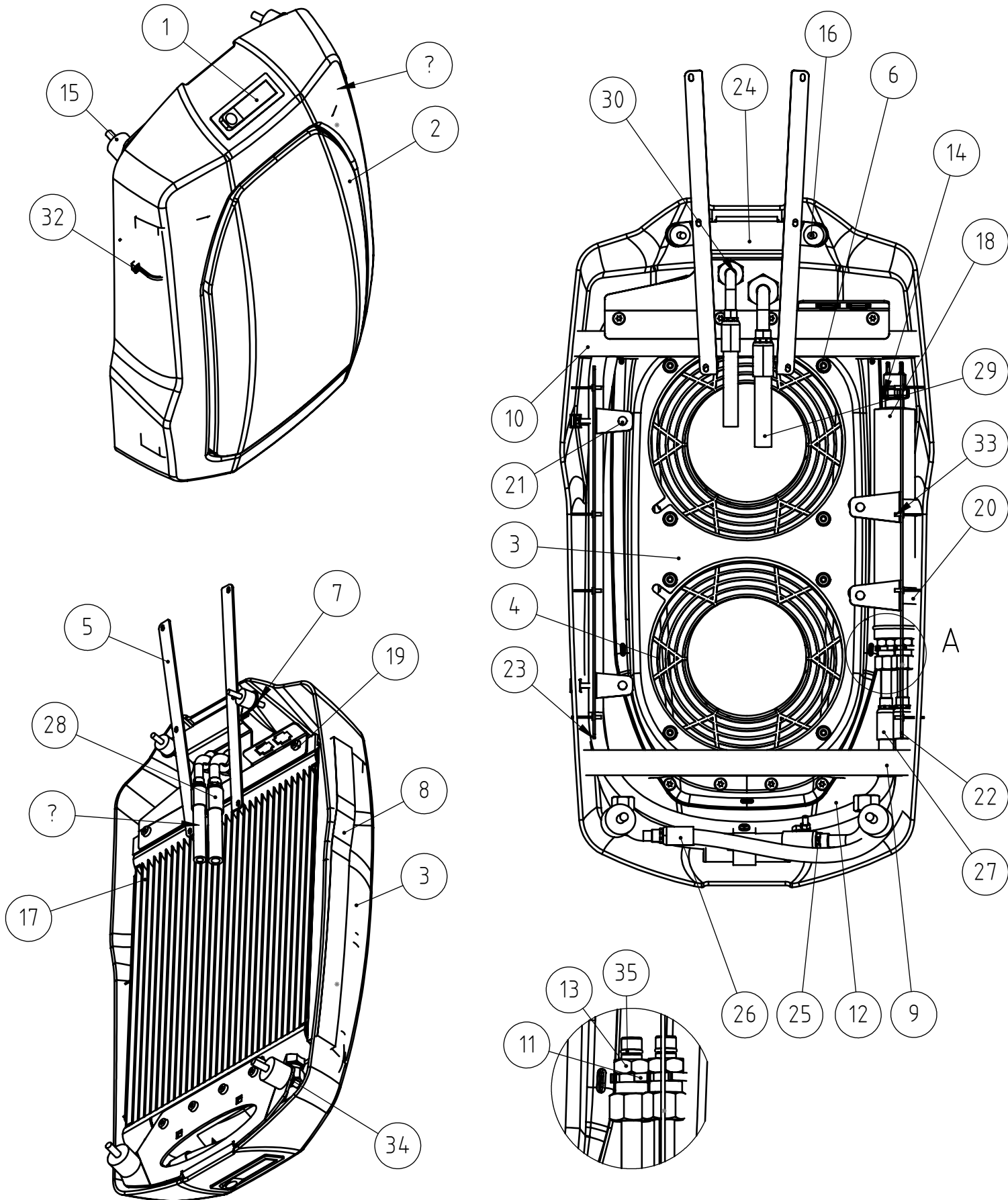
21.2.2024

A434047 HEATER MODULE CAB GT

REF	PART NO	QTY	DESCRIPTION	NOTES	PAGE
1	A434046	1	HOUSING, HEATER CAB GT		-
2	A436383	1	HEATER CAB GT 6,6/4,5 KW KOOL KOMBI E		-
3	A434672	1	HOUSING AIR FILTER CAB		-
4	A422597	1	AIR FILTER CARTRIDGE CAB		-
5	A434090	1	HOSE HEATER CAB GT		-
6	A434450	1	COVER PLATE HEATER CHANNEL CAB GT		-
7	A438218	1	REFRIGERANT HOSE L=900 ASSEMBLY		-
8	65525	1	GROMMET F27/21/13		-
9	65526	1	GROMMET F32/25/19		-
10	A434302	3	GROMMET F32/25/19 60SH		-
11	A434303	1	INLET HOSE HEATER CAB GT		-
12	A434304	1	RETURN HOSE HEATER CAB GT		-
13	A436401	1	LID HEATER CAB GT		-
15	A436554	1	REFRIGERANT HOSE HEATER CAB GT		-
16	A436387	1	HOSE FITTING 40MM		-
17	A438219	1	ISOLATION PLATE HEATER CHANNEL CAB GT		-
18	A413467	2	WATER HOSE, CONDENSATION WASSER		-
19	65514	1	THERMOSTAT, HEATER, CAB		-
20	A436549	1	NOZZLE 60MM AIR FLOW CAB GT		-
21	A437682	1	FRAME, HEATER ADJUSTMENT KNOB CAB GT		-
22	A436290	1	WIRE HARNESS HEATER/AIRCON CAB GT		-
23	A436550	12	PAN HEAD MACHINE SCREW M3,9*9,5		-
24	75172	2	SPEED NUT M5 FOR 0.5-4.0 MM PLATE		-
25	74771	2	PAN HEAD MACHINE SCREW M5* 25		-
26	A430277	16	TORX SCREW M4*12		-
27	75128	4	THREAD-FORMING SCREW M8*25 DIN 7500C		-
28	A438229	4	HOSE CLAMP D23		-

21.2.2024

A449155 CONDENSER WITH RECEIVER DRIER A/C CAB GT



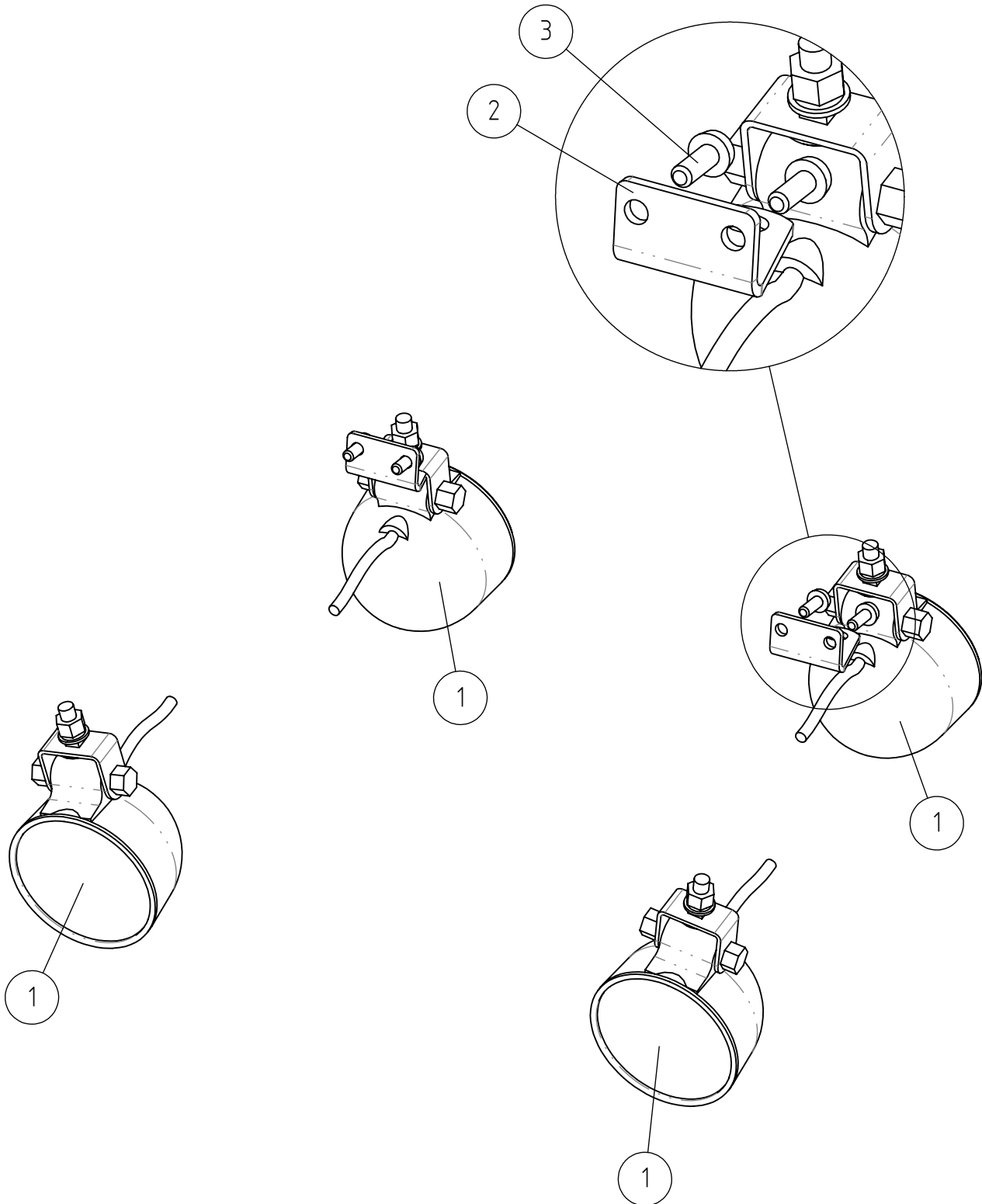
DETAIL A
SCALE 2 : 5

21.2.2024

A449155 CONDENSER WITH RECEIVER DRIER A/C CAB GT

REF	PART NO	QTY	DESCRIPTION	NOTES	PAGE
1	65085	1	LATCH		-
2	A445944	1	PROTECTIVE MESH COVER PANEL CONDENSER		-
3	A445947	1	HOUSING CONDENSER A/C CAB GT		-
4	64778	2	FAN 12VDC F190		-
5	A447841	2	SUPPORT ROD COVER PANEL C PILLAR CAB GT		-
6	A449842	9	HEXAGONAL HEAD SCREW M6*16 10.9		-
7	72318	14	HEXAGONAL NUT M 6 DIN 985 NYLOC		-
8	A446529	2	SEAL SIDE CONDENSER A/C		-
9	A446531	1	SEAL LOWER CONDENSER A/C		-
10	A446533	1	SEAL UPPER CONDENSER A/C		-
11	A446555	1	BRACKET HOSE NIPPLE A/C CAB GT		-
12	A445771	1	MOUNTING BRACKET LOWER CONDENSER A/C		-
13	A445712	2	HOSE NIPPLE RECEIVER DRIER A/C CAB GT		-
14	A445557	1	PRESSURE SWITCH HP 26,5 BAR / LP 2 BAR		-
15	A437449	2	VIBRATION DAMPER RUBBER 30/25/20 M8		-
16	A445490	2	VIBRATION DAMPER D20X15		-
17	A445709	1	CONDENSER A/C CAB GT		-
18	A445301	1	RECEIVER DRIER A/C CAB GT		-
19	A444170	8	THREAD-FORMING SCREW M6*12 DIN 7500CE		-
20	A445508	2	PIPE CLAMP D38 M8		-
21	A446561	4	PRESS-IN SCREW M6*15		-
22	A447781	1	MOUNTING PLATE RECEIVER DRIER A/C		-
23	A447823	1	MOUNTING PLATE HOSES CONDENSER A/C CAB		-
24	A447824	1	MOUNTING BRACKET UPPER CONDENSER A/C		-
25	A447869	2	HOSE FITTING 90° M0808 REFRIGERANT		-
26	A447867	2	HOSE FITTING 90° M0606 REFRIGERANT		-
27	A447959	2	HOSE FITTING STRAIGHT M0606 REFRIGERANT		-
28	A447955	1	HOSE FITTING 08 90° REFRIGERANT		-
29	A450085	1	HOSE 08 A/C CAB GT		-
30	A447957	1	HOSE FITTING 06 90° REFRIGERANT		-
31	A450084	1	HOSE 06 A/C CAB GT		-
32	A442639	2	CABLE TIE 7,6*390 M6 BLACK		-
33	A448802	8	BLIND RIVET 3,0*8,0		-
34	72320	2	HEXAGONAL NUT M8 NYLOC DIN 985		-
35	A449800	2	O-RING D7,28X1,78		-

A438528 WORK LIGHT KIT LED 700LM CAB GT



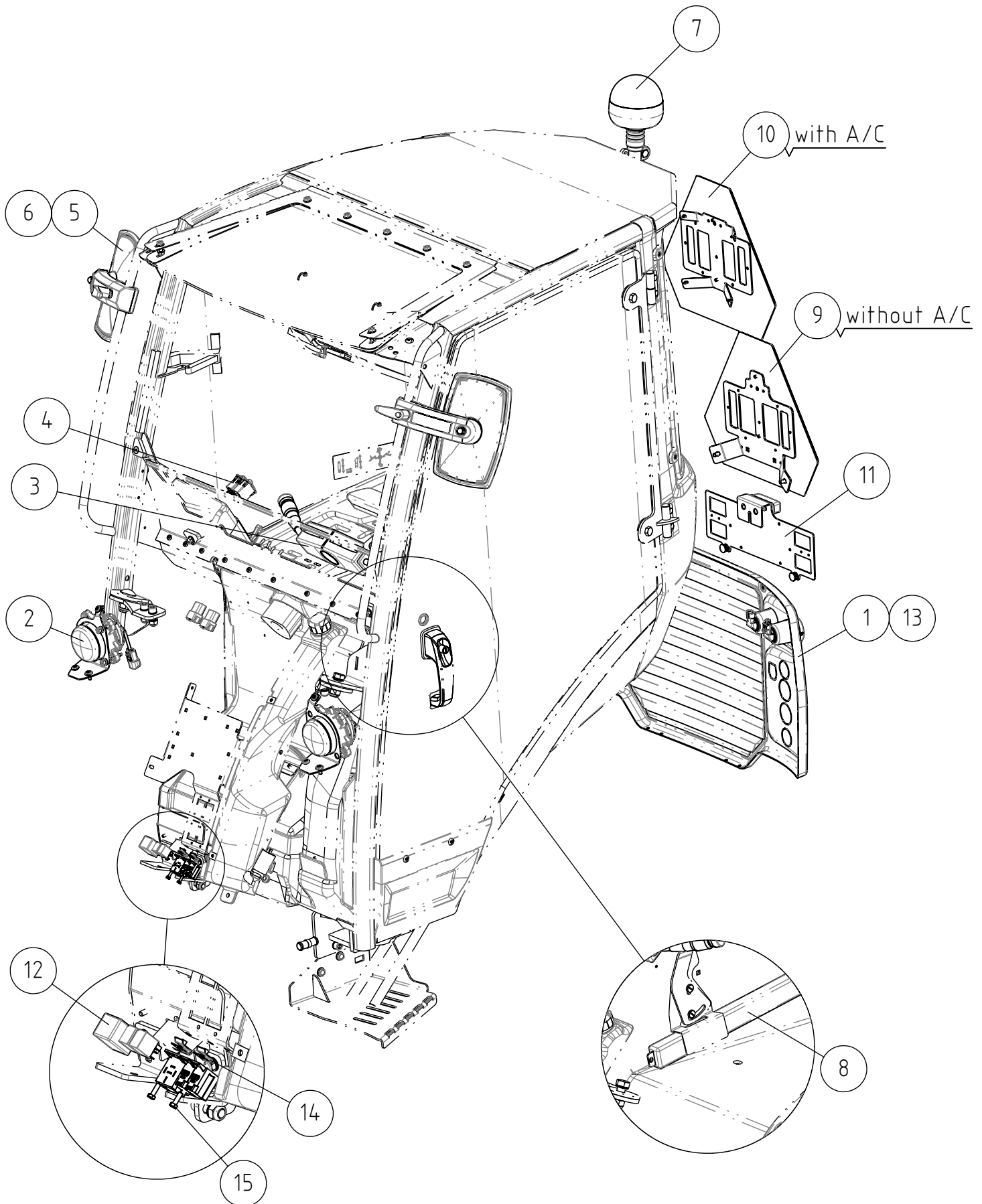
21.2.2024

A438528 WORK LIGHT KIT LED 700LM CAB GT

REF	PART NO	QTY	DESCRIPTION	NOTES	PAGE
1*	66068	4	WORK LIGHT LED 700 LUMEN 12V/12W COBO	700 lumen	-
1**	A419163	4	WORK LIGHT LED 2500 LUMEN WITH CONNECTOR	2500 lumen	-
2	A438523	2	MOUNTING BRACKET WORK LIGHT CAB 800 SER		-
3	75129	4	THREAD-FORMING SCREW M6*16 DIN 7500C		-

21.2.2024

A450924 ROAD TRAFFIC KIT ON CAB GT 700 SERIES

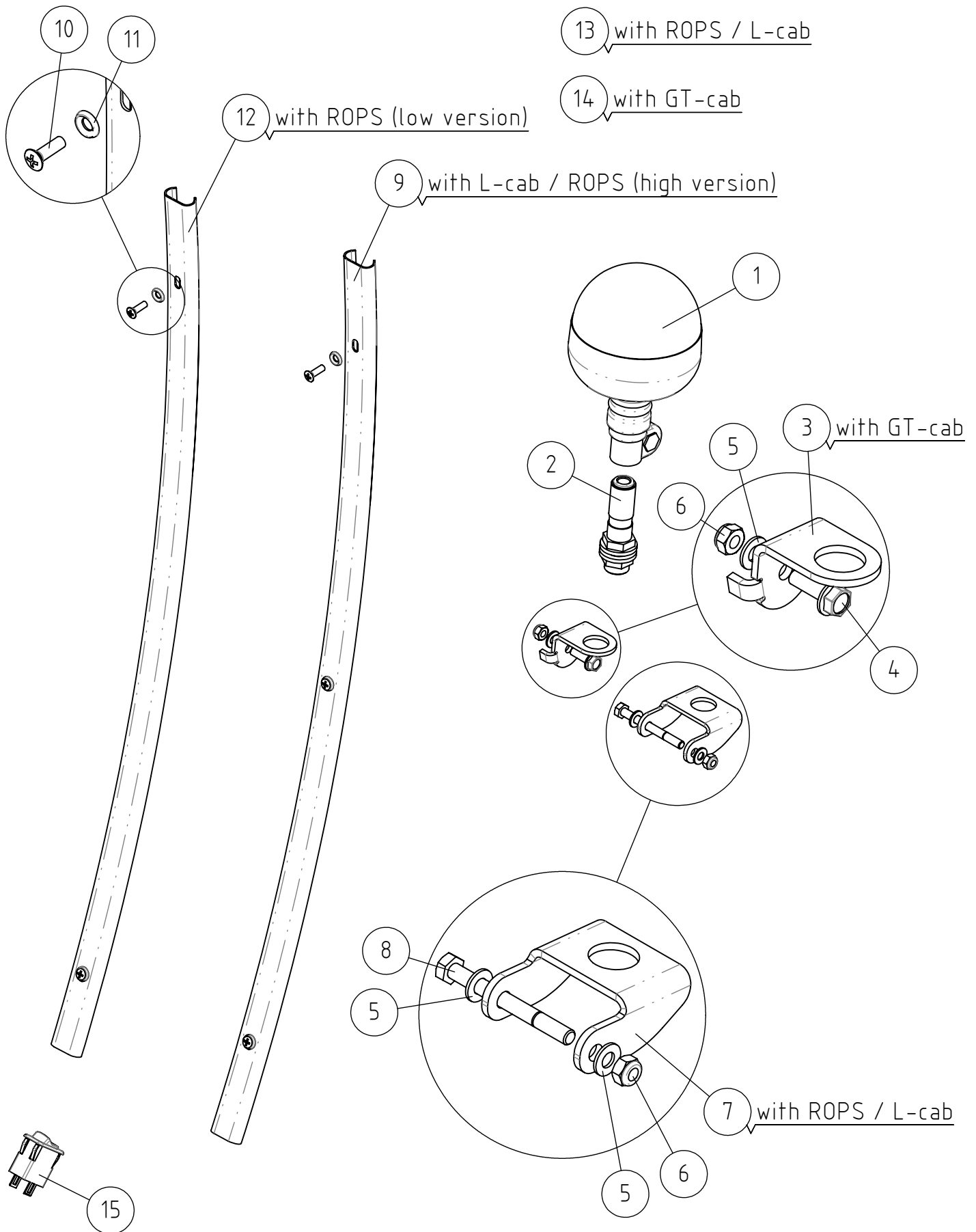


21.2.2024

A450924 ROAD TRAFFIC KIT ON CAB GT 700 SERIES

REF	PART NO	QTY	DESCRIPTION	NOTES	PAGE
1	A437383	1	REAR GRILLE WITH LIGHTS, ASSEMBLY,		-
1.1	64849	2	BLINKER		-
1.2	65548	2	TAIL LIGHT RED COBO		-
2	A450854	1	HEADLAMPS / PARKING LIGHTS / INDICATOR		-
3	65640	1	LIGHTS/WINDSCREEN WIPER LEVER SWITCH		-
4	65064	1	SWITCH, WARNING BLINKER		-
5	A437856	2	SIDE MIRROR WITH ARM CAB GT		-
5.1	A437934	1	SIDE MIRROR R1400		-
5.2	A437935	1	ARM SIDE MIRROR		-
6	65024	2	DECAL AVANT® EMBOSSED 56*225MM RED		-
7	A438530	1	BEACON 800 SERIES		224
8	A435070	1	SLOW MOVING VEHICLE TRIANGLE 430X45X30		-
9	A438396	1	SLOW MOVING VEHICLE SIGN WITH BRACKET		-
9.1	64733	1	SIGN, SLOW MOVING VEHICLE, RED		-
10	A438374	1	SIGN, SLOW MOVING VEHICLE, RED		-
10.1	64733	1	SIGN, SLOW MOVING VEHICLE, RED		-
11	A442240	1	MOUNTING BRACKET ASSEMBLY LICENCE PLATE		-
12	A449798	1	WIRE HARNESS ROAD TRAFFIC KIT FRONT		-
12.1	A438175	2	RELAY 12V/30A		-
12.2	65751	1	INDICATOR RELAY 12V 84W WEH-54 201 102		-
13	A437335	1	WIRE HARNESS ROAD TRAFFIC KIT REAR 700/8		-
14	75172	2	SPEED NUT M5 FOR 0.5-4.0 MM PLATE		-
15	72110	2	HEX. SCREW M5*16 DIN 933		-

A438530 BEACON 800 SERIES



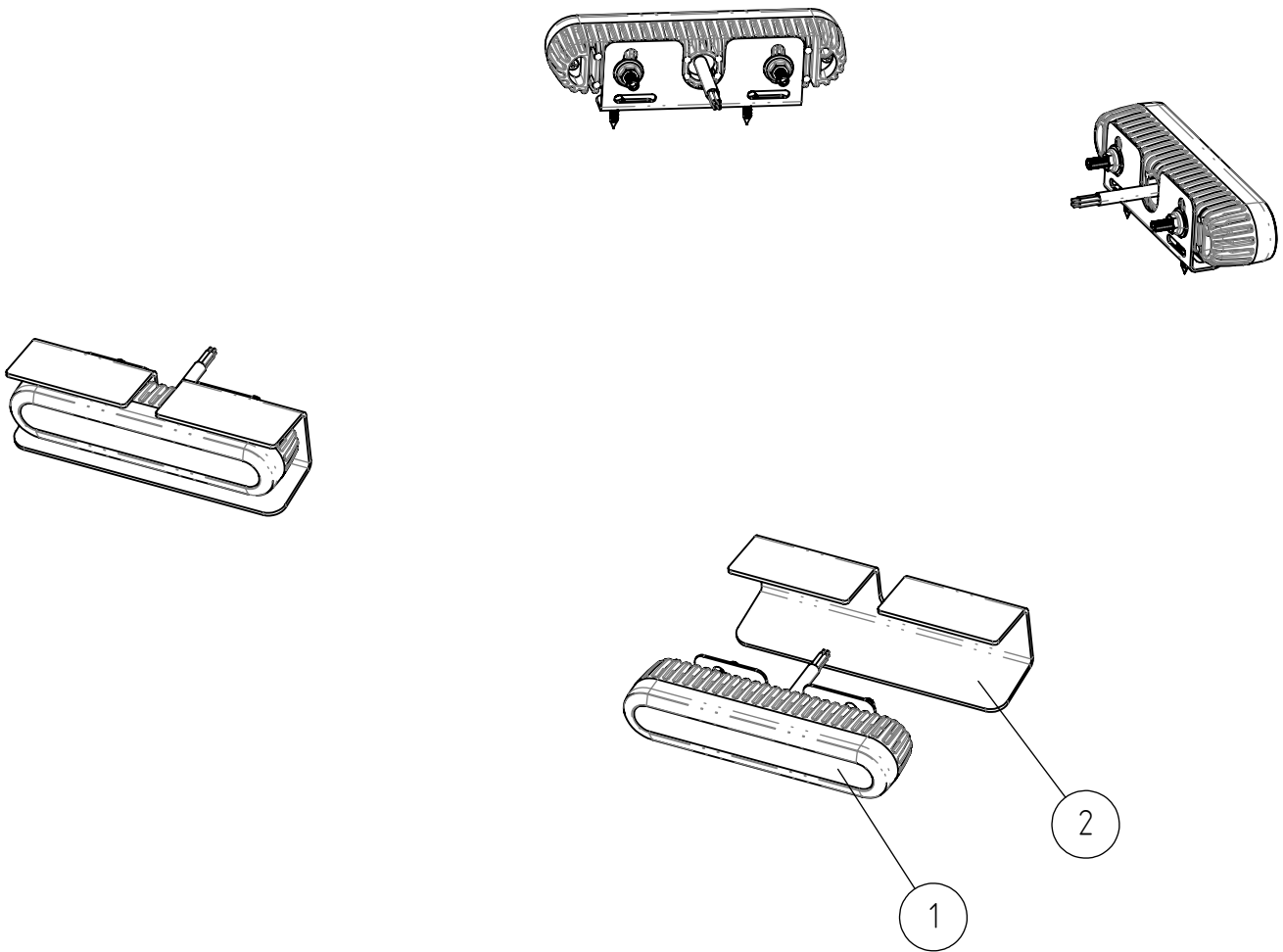
21.2.2024

A438530 BEACON 800 SERIES

REF	PART NO	QTY	DESCRIPTION	NOTES	PAGE
1	A435335	1	BEACON, ORANGE WITH LED LIGHT 11W		-
2	65058	1	BRACKET (PIN), BEACON		-
3	A412068	1	BRACKET, BEACON, CAB DLX		-
4	A429202	1	HEXAGONAL SERRATED SCREW M8*25 WITH FLAN		-
5	73122	3	WASHER M8 A8,4 DIN 125 ZN		-
6	72320	2	HEXAGONAL NUT M8 NYLOC DIN 985		-
7	A49059	1	BRACKET, BEACON		-
8	72143	1	HEX. SCREW M8*80 DIN 931		-
9	A49080	1	COVER STRIP, SIDE		-
10	74767	5	RAISED COUNTERSUNK HEAD SCREW M6*20		-
11	74768	5	WASHER CONICAL M6		-
12	A450714	1	COVER STRIP SIDE SHORT		-
13	A440104	1	WIRE HARNESS BEACON 700/800 ROPS STAGE V		-
14	A440977	1	ADAPTER ROTATING BEACON CAB GT		-
15	65065	1	SWITCH, BEACON		-

21.2.2024

A438538 FOUR-LIGHT BEACON CAB GT



21.2.2024

A438538 FOUR-LIGHT BEACON CAB GT

REF	PART NO	QTY	DESCRIPTION	NOTES	PAGE
1	A434250	4	STROBE WARNING LIGHT LED 12W 10-30V		-
2	A434938	2	LIGHT SCREEN, STROBE WARNING LIGHT CAB		-

AVANT[®]

Varaosat Spare parts

Manufacturer:

AVANT[®]

AVANT TECNO OY

e-mail: sales@avanttecho.com

Ylötie 1

33470 Ylöjärvi

FINLAND

Tel. +358 3 347 8800

Fax +358 3 348 5511